

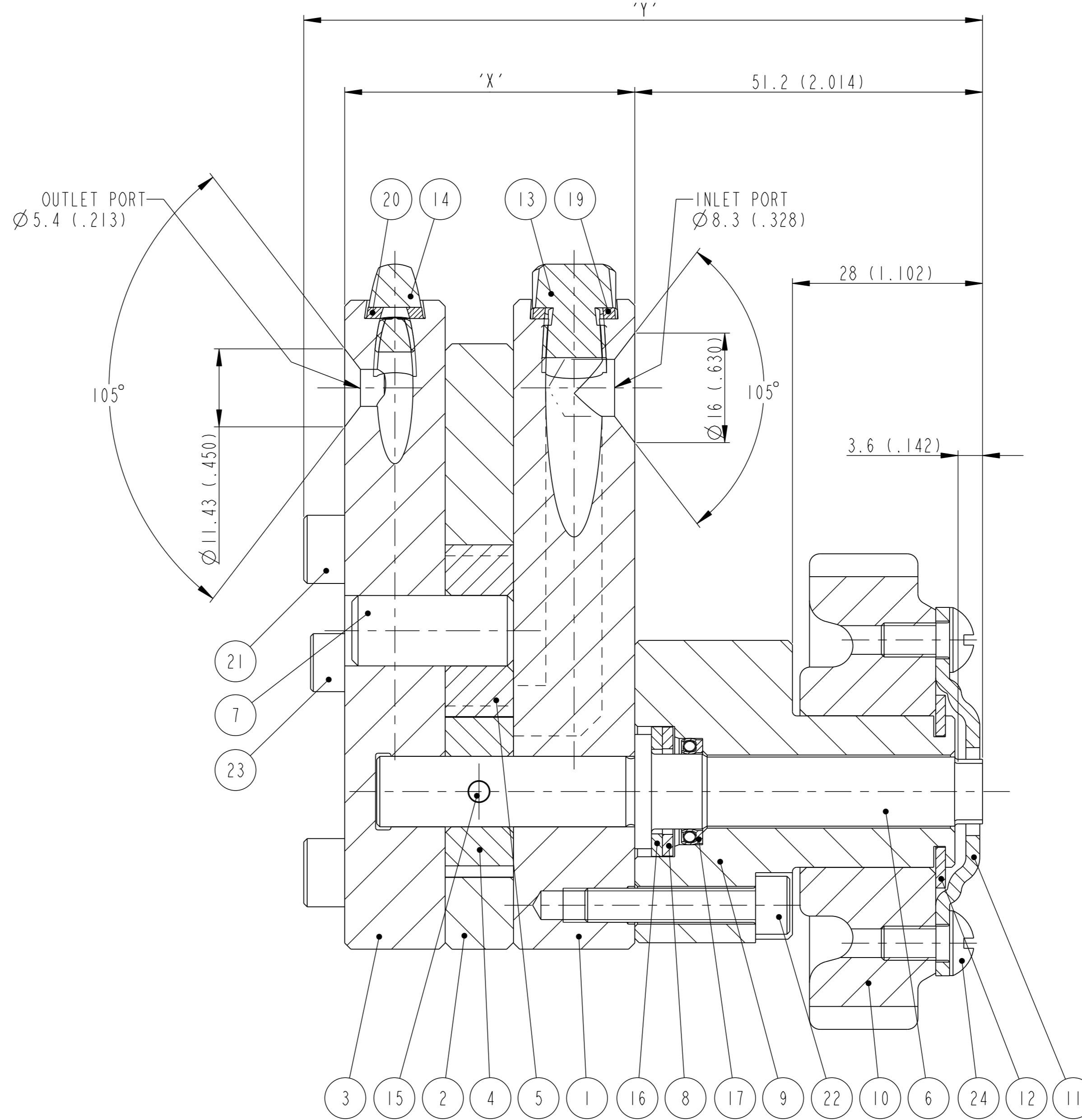
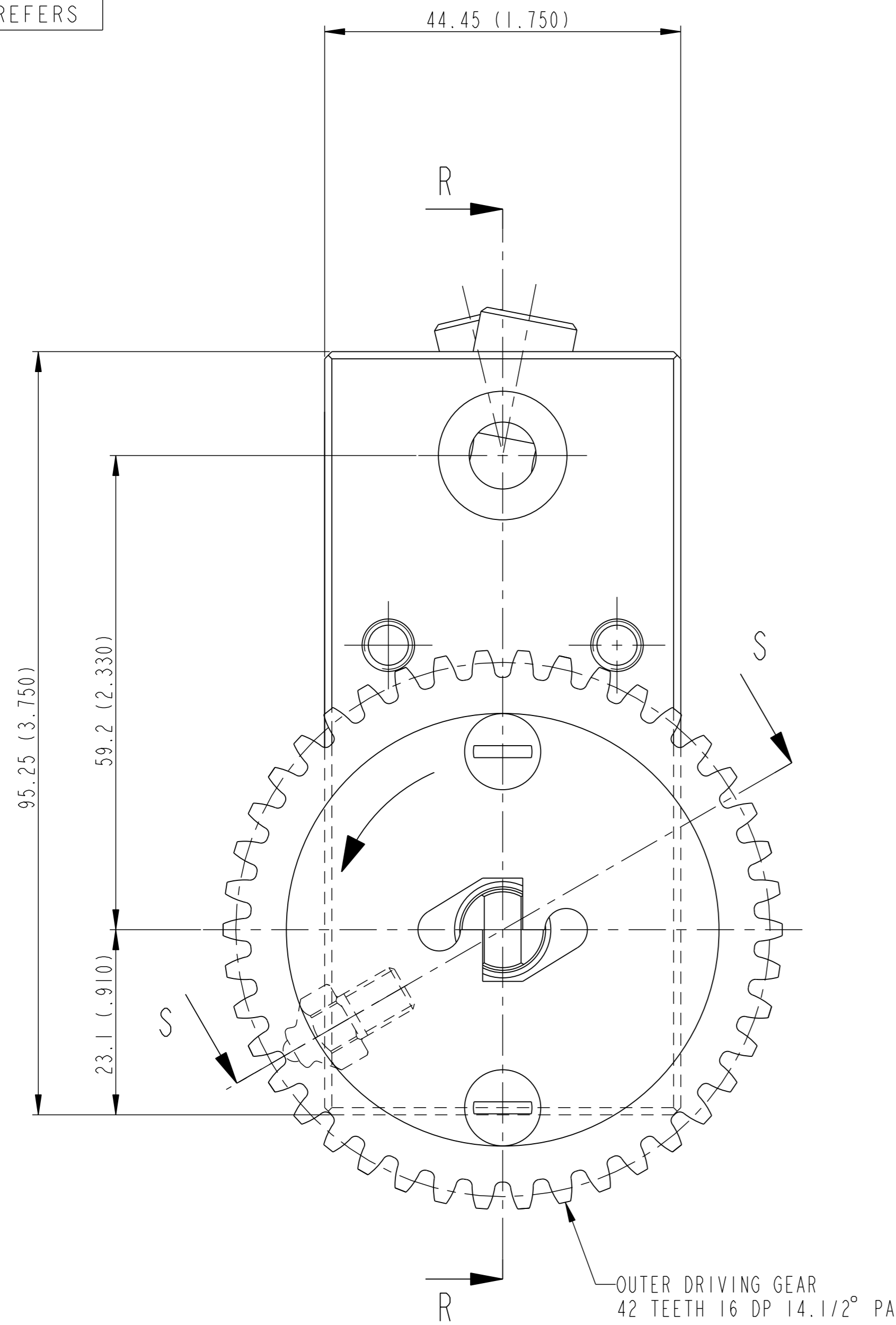
PROJ. DOS/005 REFERS

DO NOT SCALE

CAD ORIGINAL DO NOT ALTER BY HAND

ITEM	DESCRIPTION	QTY
1	FRONT PLATE	1
2	GEAR PLATE	1
3	BACK PLATE	1
4	DRIVING GEAR	1
5	IDLER GEAR	1
6	DRIVING SPINDLE	1
7	IDLER SPINDLE	1
8	SUPPORT WASHER	1
9	DRIVING GEAR HUB	1
10	OUTER DRIVING GEAR	1
11	DRIVING FLANGE	1
12	SPLIT RETAINING WASHER	1
13	PLUG SCREW F.P. & B.P.	1
14	PLUG SCREW B.P.	1
15	KEY	1
16	THRUST WASHER	1
17	OILSEAL	1
18	GREASE NIPPLE	1
19	LEAD WASHER	1
20	LEAD WASHER	1
21	CAPSCREW	4
22	CAPSCREW	3
23	CAPSCREW	2
24	ROUND HEAD SCREW	2

NOTE - ITEM 15 IS QTY 2 FOR SPT2920

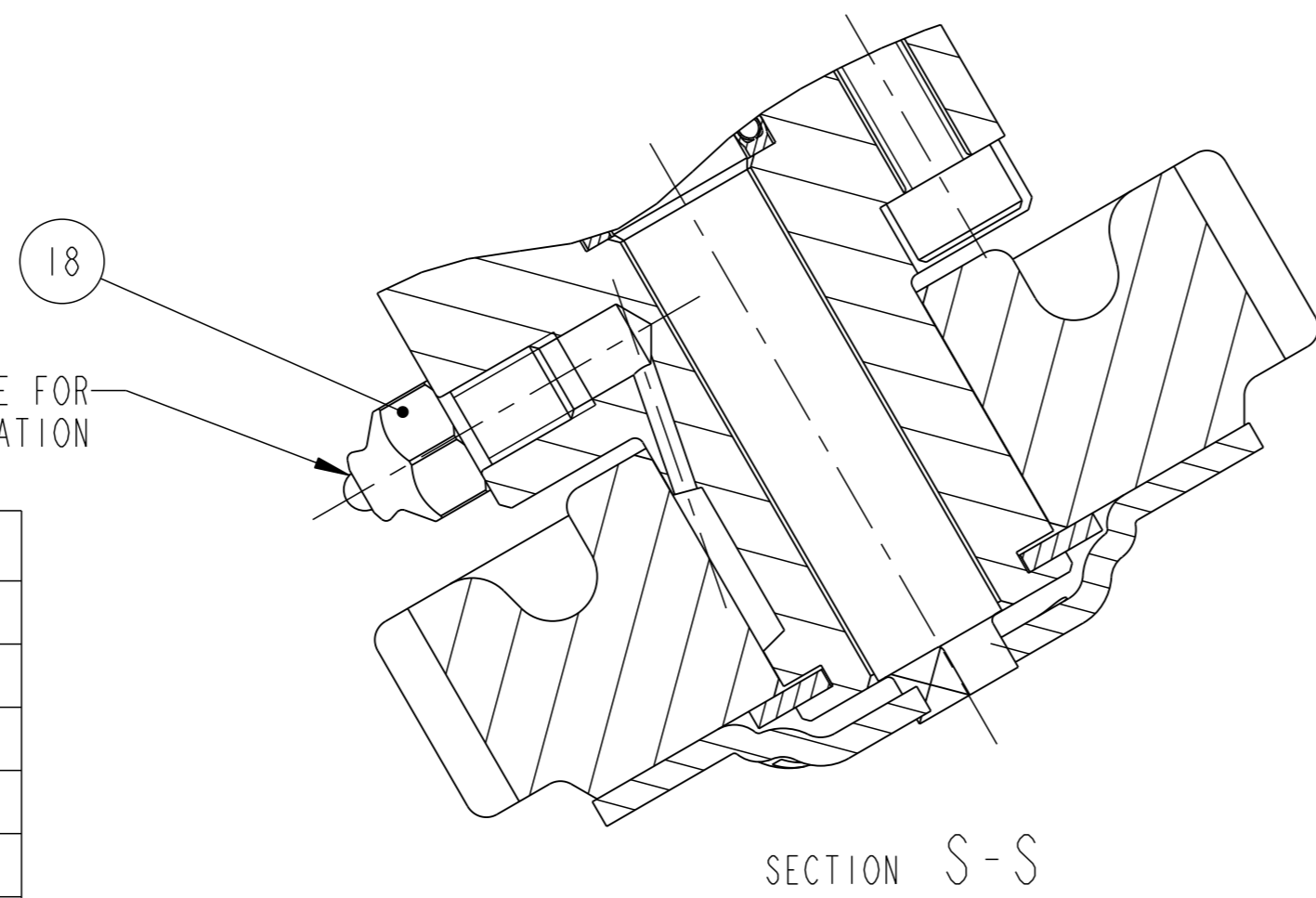


SECTION R-R

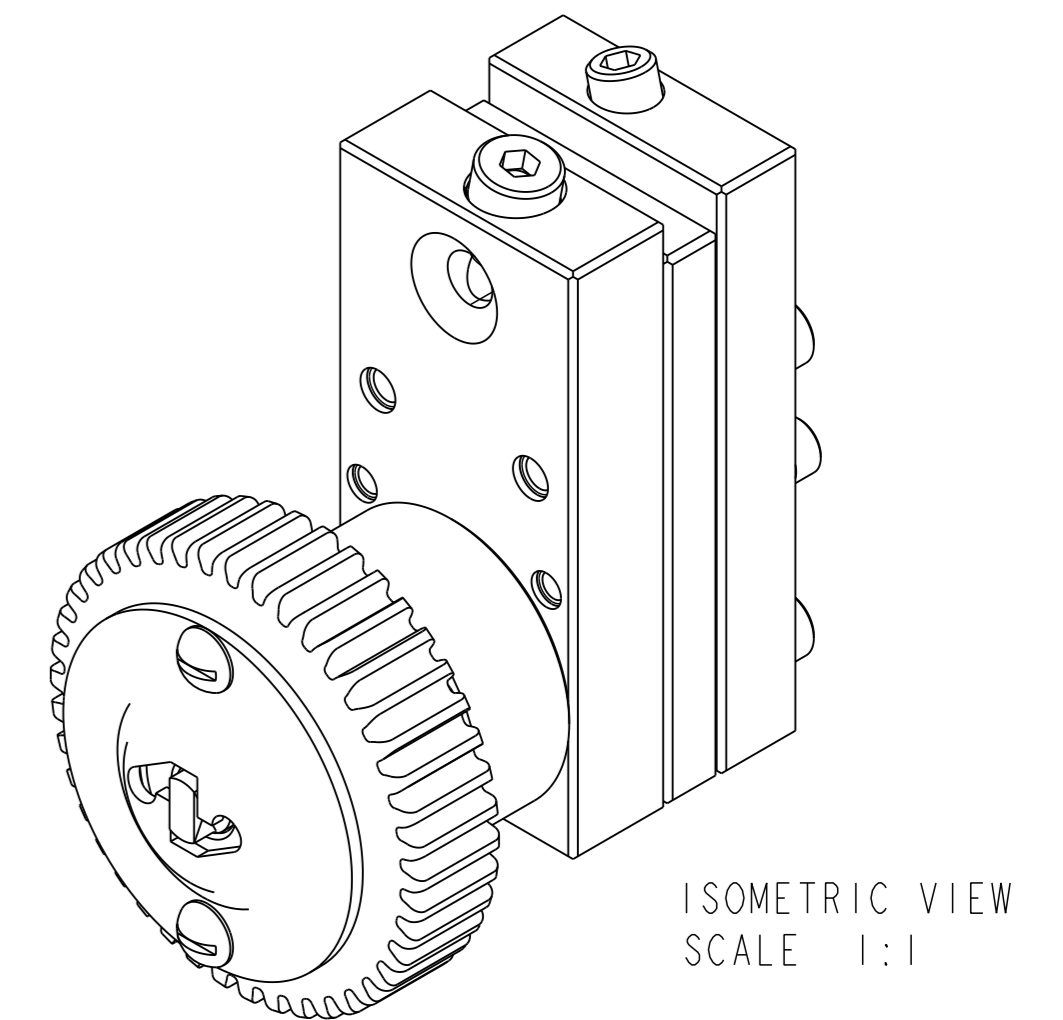
USE GRADE 2 BEARING GREASE FOR OUTER DRIVING GEAR LUBRICATION

ROTATION :- ANTICLOCKWISE

TYPE	CAPACITY/REV	DIM'N 'X'	DIM'N 'Y'
SPT0146	0.146 cc	34.4 (1.354)	91.6 (3.606)
SPT0146-S3	0.146 cc	34.4 (1.354)	91.6 (3.606)
SPT0292	0.292 cc	35 (1.378)	92.2 (3.630)
SPT0584	0.584 cc	37.5 (1.477)	94.7 (3.728)
SPT0584-S1	0.584 cc	37.5 (1.477)	94.7 (3.728)
SPT1168	1.168 cc	42.5 (1.674)	99.7 (3.925)
SPT1168-S1	1.168 cc	42.5 (1.674)	99.7 (3.925)
SPT1168-S5	1.168 cc	42.5 (1.674)	99.7 (3.925)
SPT1752	1.752 cc	47.5 (1.871)	104.7 (4.122)
SPT2920	2.920 cc	57.5 (2.265)	114.7 (4.516)
SPT2920-S1	2.920 cc	57.5 (2.265)	114.7 (4.516)
SPT2920-S5	2.920 cc	57.5 (2.265)	114.7 (4.516)



SECTION S-S



ISOMETRIC VIEW SCALE 1:1

SCB919

REV.	ZONE	ALTERATION	SIG. & DATE	CAT.	PROF. OF A SURF.
4	D5	SEALING HUB IS NOW SUPPORT WASHER DRIVING GEAR HUB & SEALING HUB ARE NOW COMBINED. RE-DRN ON CAD	NKS 6/9/95		
3	B8	ITEM QUANTITY NOTE ADDED	AJF 25/11/94		
2	B4	OUTLET PORT SIZE CORRECTED	REH 1/2/94		
1	E7, A8	SPT0146 DIM'S AND PARTS LIST ORDER REVISED	REH 4/11/93		

IDENTITY ZONE		TEXT	
STRAIGHTNESS	—	PARALLELISM	//
FLATNESS	▭	SQUARENESS	⊥
ROUNDNESS	○	ANGULARITY	∠
CYLINDRICITY	∅	RUN OUT	↗
PROF. OF A LINE	⌒	POSITION	⊕
PROF. OF A SURF.	⌒	CONCENTRICITY	◎
		SYMMETRY	∥
		M.M.C.	⊥
		MACHINE	✓
		M/C OPTIONAL	✓
		DO NOT M/C	✓
		TAPER	∇
		SPEC.	≡
		TREATMENT	⊗
		HARDNESS	✓
		FINISH	✓
		CLASS	✓
		PATT.	✓

© SLACK & PARR LTD. 1993 THE DESIGN AND INFORMATION CONTAINED IN THIS DRAWING IS STRICTLY CONFIDENTIAL AND IS THE EXCLUSIVE PROPERTY OF SLACK & PARR LIMITED AND MUST NOT BE USED, COPIED OR REPRODUCED IN PART OR WHOLE WITHOUT WRITTEN PERMISSION FROM SLACK & PARR LIMITED

ARR & INST OF PUMP

SHEET 1 OF 1 DRG. NO. B95929 REVISION 4