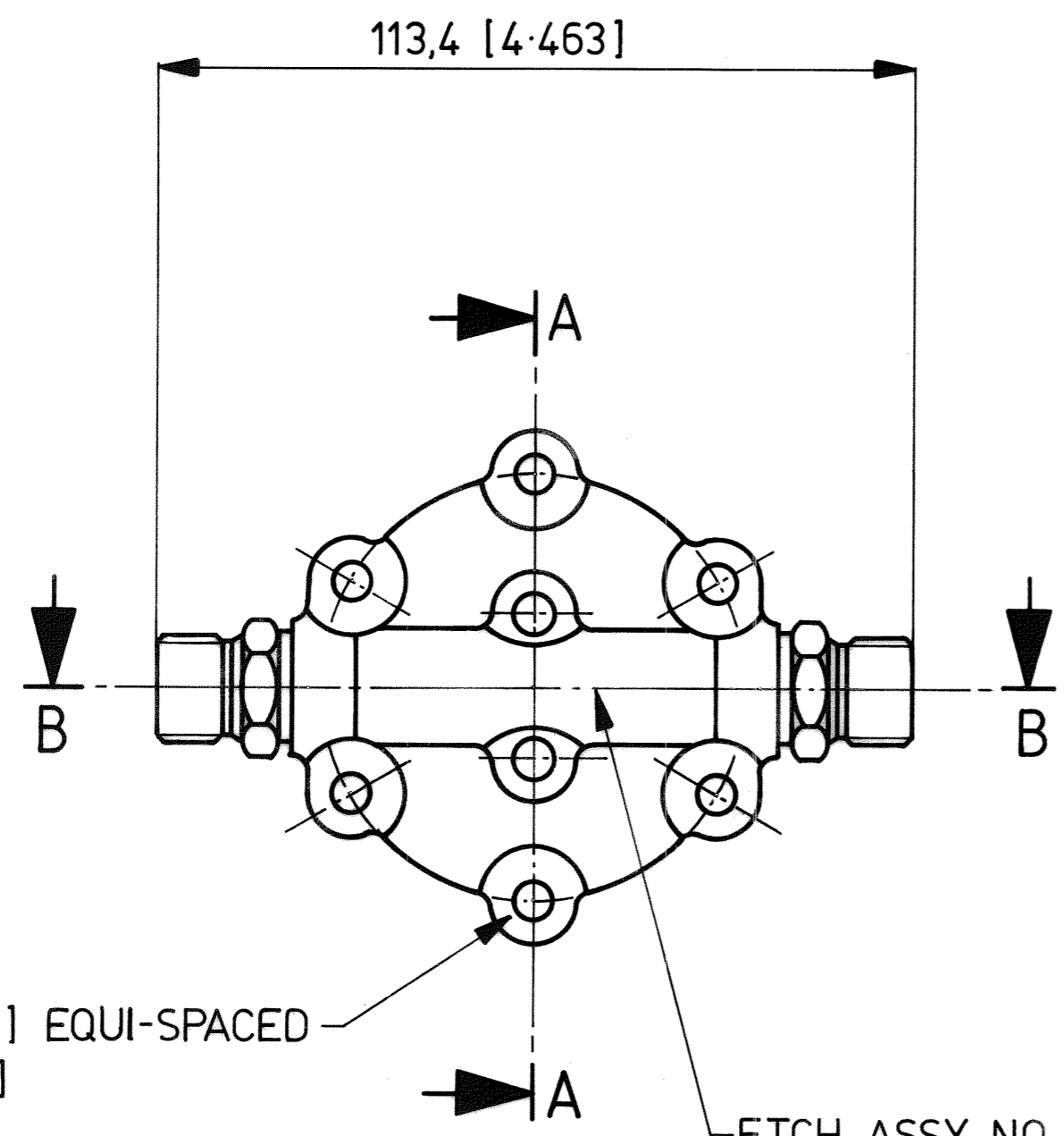


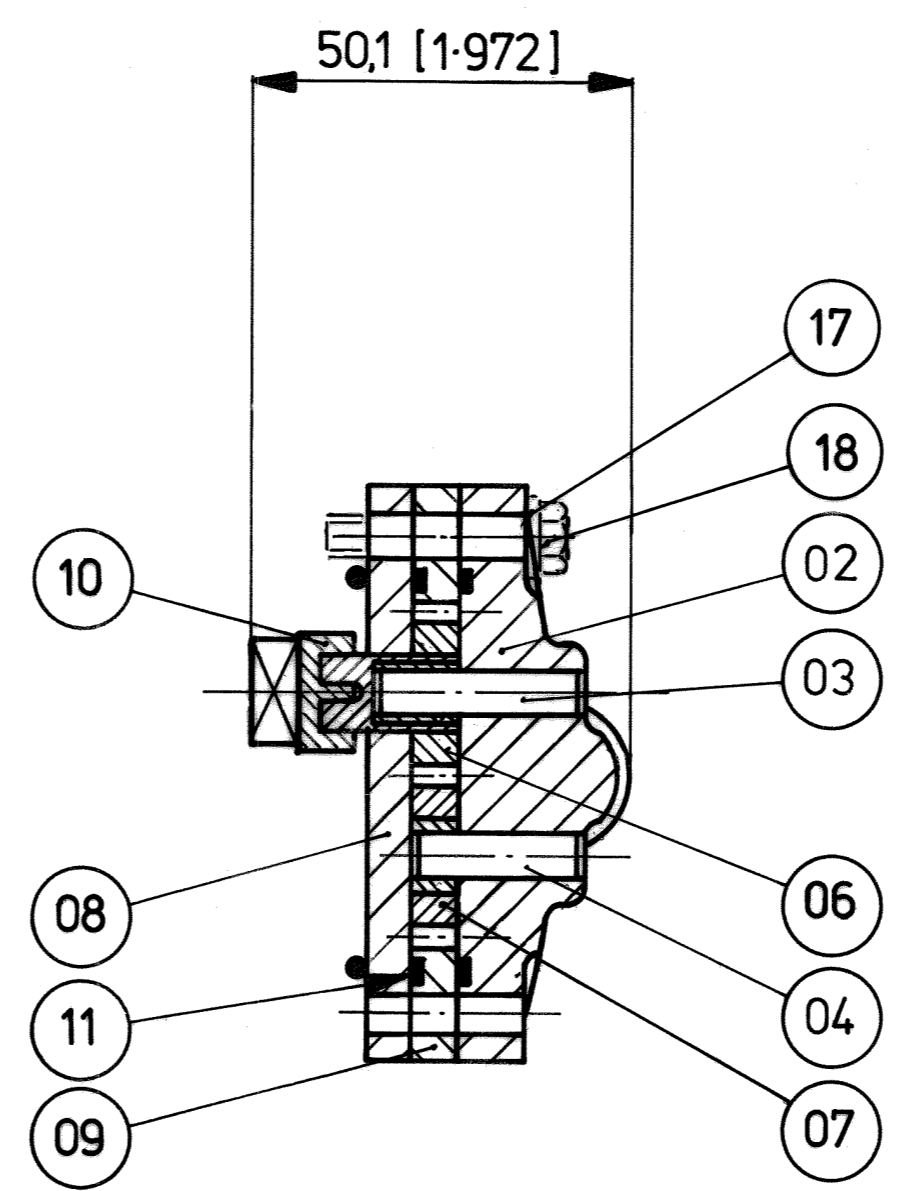
DO NOT SCALE



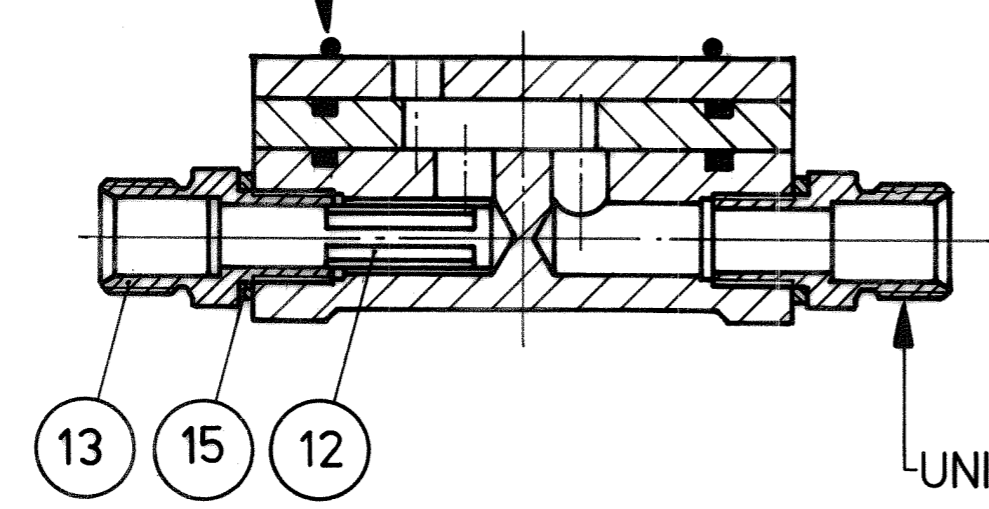
6 HOLES  $\phi 5,5 [218]$  EQUI-SPACED ON A  $\phi 63,5 [2.500]$

1 SEALING RING TO BE SENT LOOSE

ETCH ASSY NO SEE SPEC & DATE IE MONTH & YEAR ALONG LENGTH SHOWN



SECTION A-A



SECTION B-B

UNION & CONNECTION THREADS 3/8 BSP

ITEM	DESCRIPTION	QTY
02	PUMP BODY	1
03	BEARING POST DRIVE	1
04	BEARING POST DRIVEN	1
05	SPIROL PIN	2
06	DRIVE GEAR ASSY	1
	CARBON BUSH	1
	DRIVE BUSH	1
	GEAR	1
07	DRIVEN GEAR ASSY	1
	CARBON BUSH	1
	GEAR	1
08	PUMP SIDE PLATE	1
09	SPACER PLATE	1
10	COUPLING	1
11	O RING	3
12	FILTER	1
13	CONNECTION	2
14		
15	SEALING WASHER	2
16	DUST CAP	2

ITEMS 05 & 16 NOT SHOWN

SPG 002-S1		
ITEM	DESCRIPTION	QTY
17	SPRING WASHER	6
18	SET SCREW	6
	ITEM 12 NOT REQUIRED	

CUSTOMERS DRG NO 54733311

REV.	ZONE	ALTERATION	SIG. & DATE	CAT.	PROF. OF A SURF.	GEOMETRIC TOLERANCE SYMBOLS REF. B.S. 308 : PART 3 : 1972	MATERIAL	DIMENSIONS IN MM & INCHES	SCALE 1:1	DATE	SLACK & PARR LTD. KEGWORTH - DERBY - ENGLAND	
						STRAIGHTNESS — PARALLELISM // SYMMETRY =	SPEC.	SURF. TEXT IN ROUGHNESS NOS.	DR'N. KJM	24.11.81	PROJ./TYPE/SERIAL NO. SPG 002	
3	A-C6	PARTS LIST RESTRUCTURED	KJM 20.3.89			FLATNESS □ SQUARENESS ⊥ M. M. C. (M)	TREATMENT	TOL. UNLESS OTHERWISE STATED	CH'D.		TITLE	
2	B4	TRANSPORTATION COVER, SETSCREW & NUT DELETED	KJM 18.1.85			ROUNDNESS ○ ANGULARITY ∠ MACHINE ✓		DIMENSIONAL ±			ARR & INST OF PETROL PUMP	
1	B3	ASSY No REMOVED	KJM 22.3.84			CYLINDRICITY ⊙ RUN OUT ↗ M/C OPTIONAL ✓		ANGULAR ±			DR'G. NO.	REVISION
						PROF. OF A LINE ⤿ POSITION ⊕ DO NOT M/C ✓	HARDNESS	SIM. TO	EXCEPT WHERE SHOWN THUS * PLACES		GC89037	3
						CONCENTRICITY ◎ TAPER ↗	FINISH	CLASS.	PATT.	SHEET 1 OF 1		