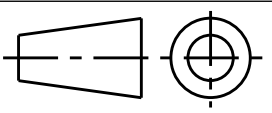
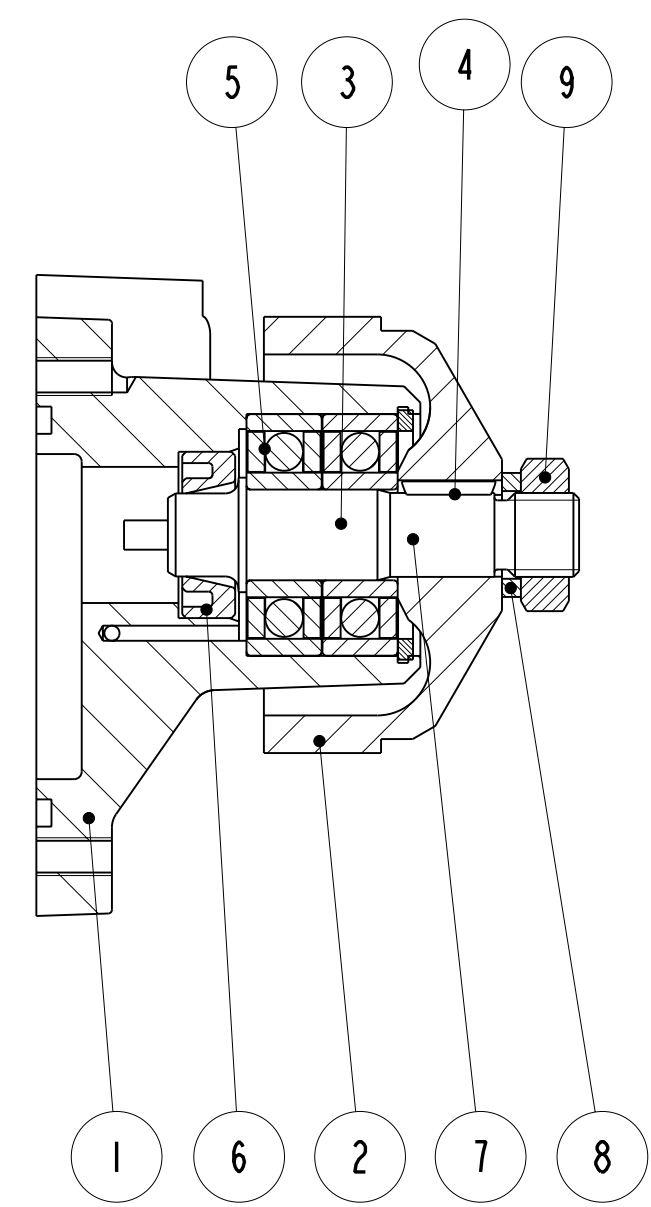
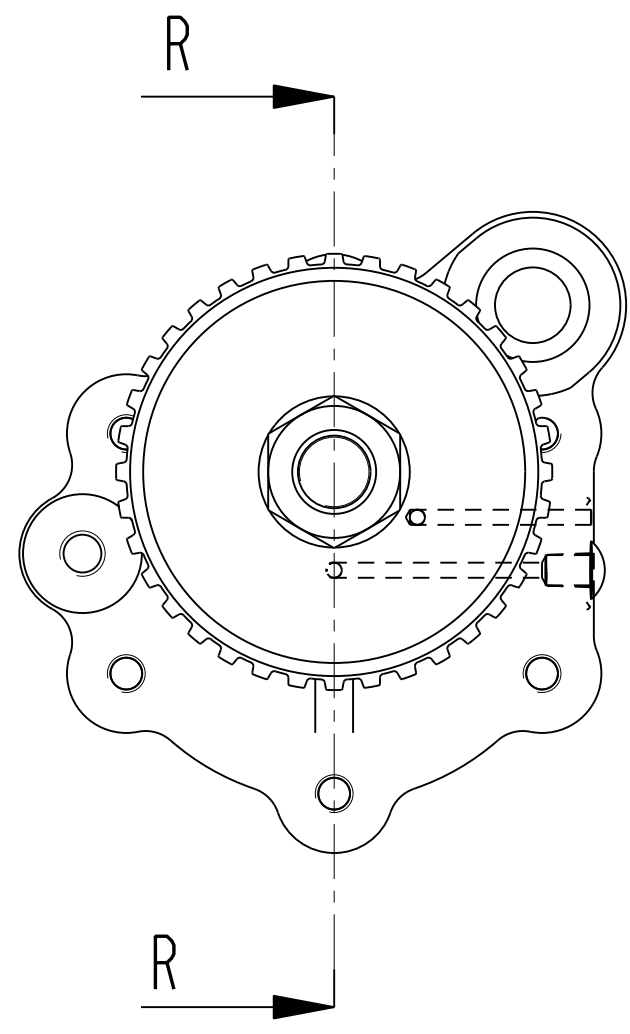
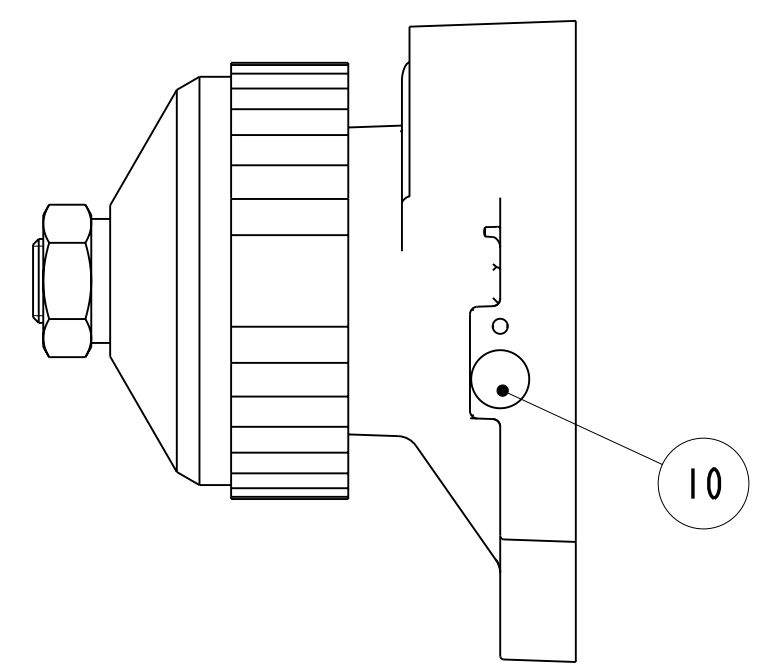


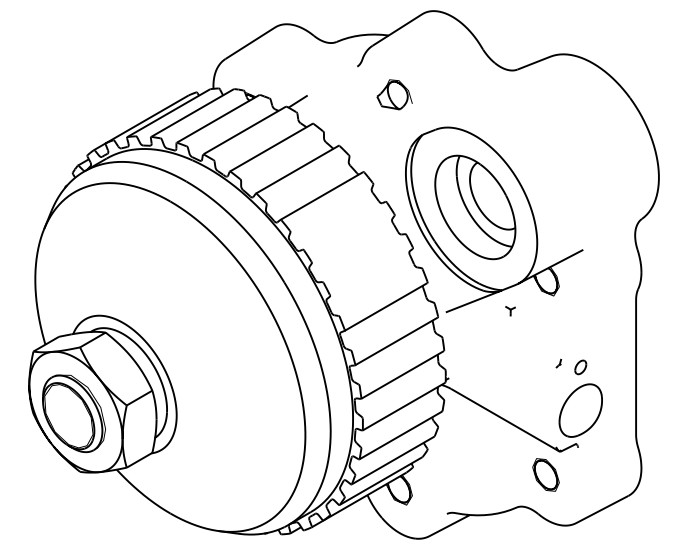
PROJ.   
 DOS/005 REFERS

DO NOT SCALE

CAD ORIGINAL DO NOT ALTER BY HAND



SECTION R-R



ITEM	DESCRIPTION	QTY
1	PUMP MOUNTING HUB	1
2	DRIVE PULLEY	1
3	DRIVING SPINDLE	1
4	BS404 WOODRUFF KEY	1
5	BEARING	2
6	OILSEAL	1
7	CIRCLIP	1
8	SPRING WASHER	1
9	LOCKNUT	1
10	BUNG	1

REV.	ZONE	ALTERATION	SIG. & DATE	CAT.

$\sqrt{P}$ = IDENTITY ZONE DIMENSIONS IN MM & INCHES SURF. TEXT IN ROUGHNESS NOS.		TEXT SCALE 1:1 DR'N. SGT CH'D. TITLE ARR OF DRIVE ASSEMBLY	DATE 10-Mar-10 PROJ./TYPE/SERIAL NO.	SLACK & PARR LTD. KEGWORTH-DERBY-ENGLAND
GEOMETRIC TOLERANCE SYMBOLS REF. B.S. 308 : PART 3 : 1990 STRAIGHTNESS — PARALLELISM // SYMMETRY ≡ FLATNESS ▭ SQUARENESS ⊥ M.M.C. Ⓜ TREATMENT ROUNDNESS ○ ANGULARITY < MACHINE ✓ HARDNESS CYLINDRICITY ⌀ RUN OUT ↗ M/C OPTIONAL ✓ FINISH PROF. OF A LINE ⤿ POSITION ⊕ DO NOT M/C ✓ CLASS PROF. OF A SURF. ⤿ CONCENTRICITY ⊙ TAPER ▽ PATT.		TOLERANCE UNLESS STATED DIMENSIONAL ± ANGULAR ± THREAD TOLERANCE CLASS 6H/6g SIM. TO * PLS	SHEET 1 OF 1	DRG. NO. HC830666 REVISION
© SLACK & PARR LTD. 2010 THE DESIGN AND INFORMATION CONTAINED IN THIS DRAWING IS STRICTLY CONFIDENTIAL AND IS THE EXCLUSIVE PROPERTY OF SLACK & PARR LIMITED AND MUST NOT BE USED, COPIED OR REPRODUCED IN PART OR WHOLE WITHOUT WRITTEN PERMISSION FROM SLACK & PARR LIMITED.				