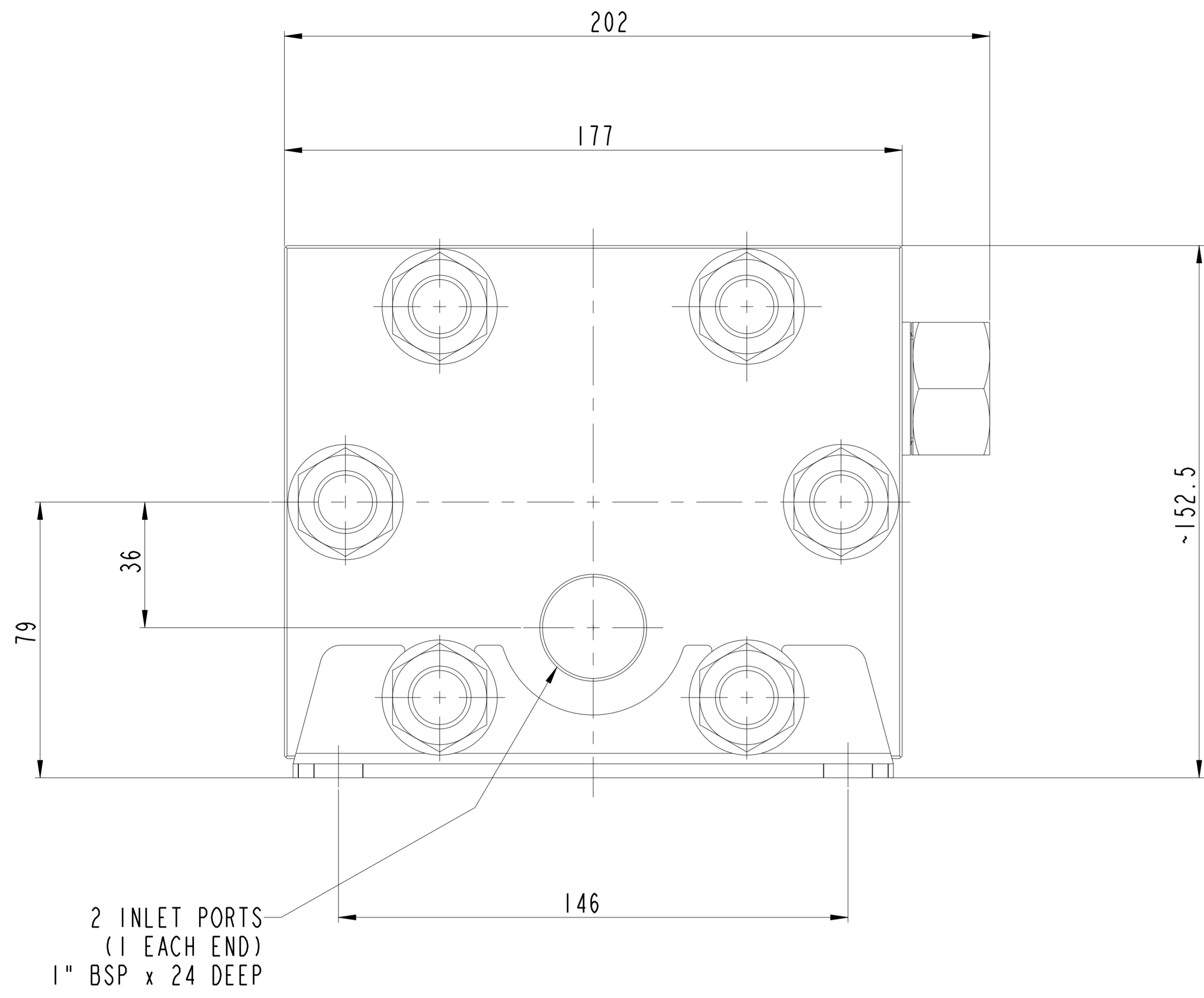
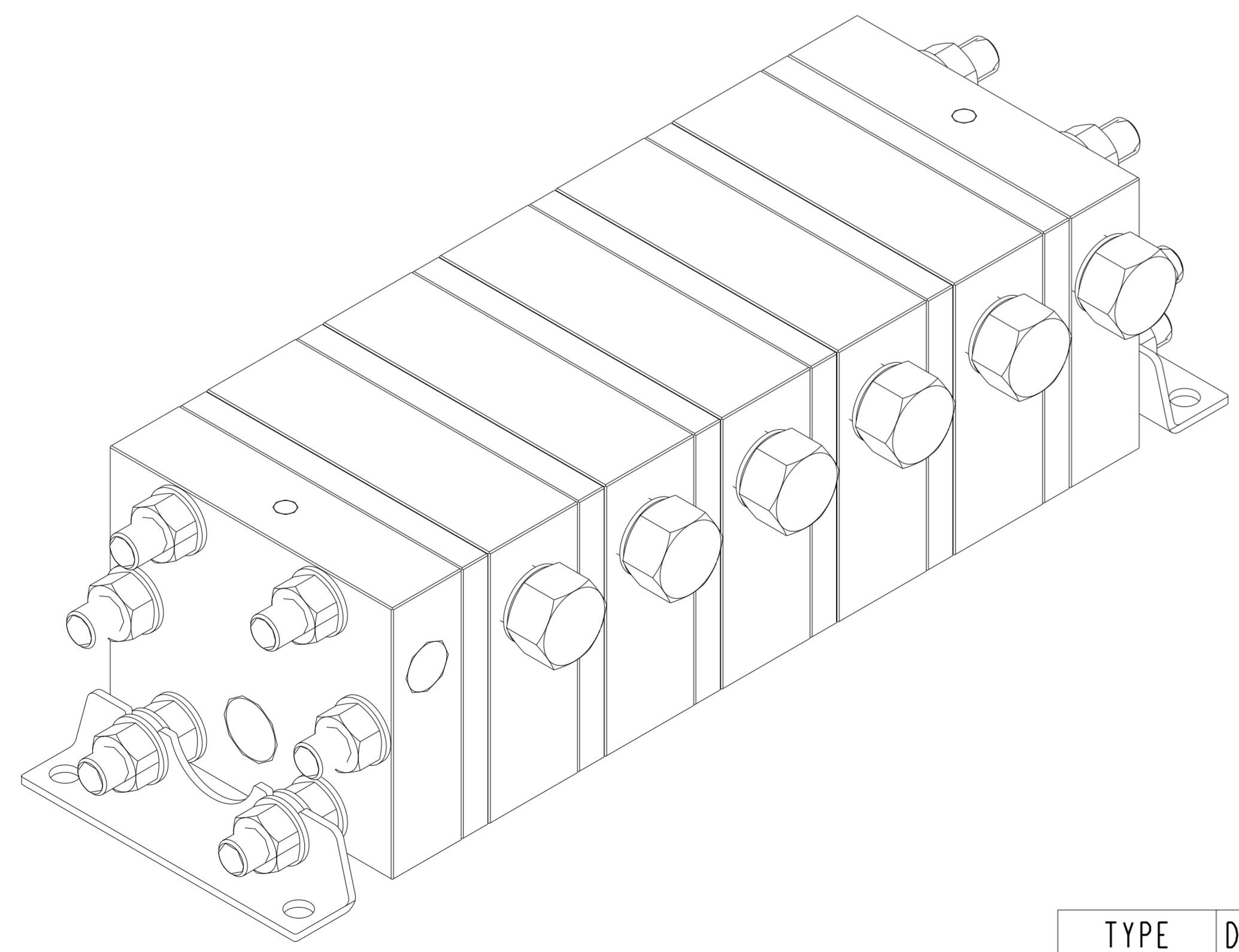
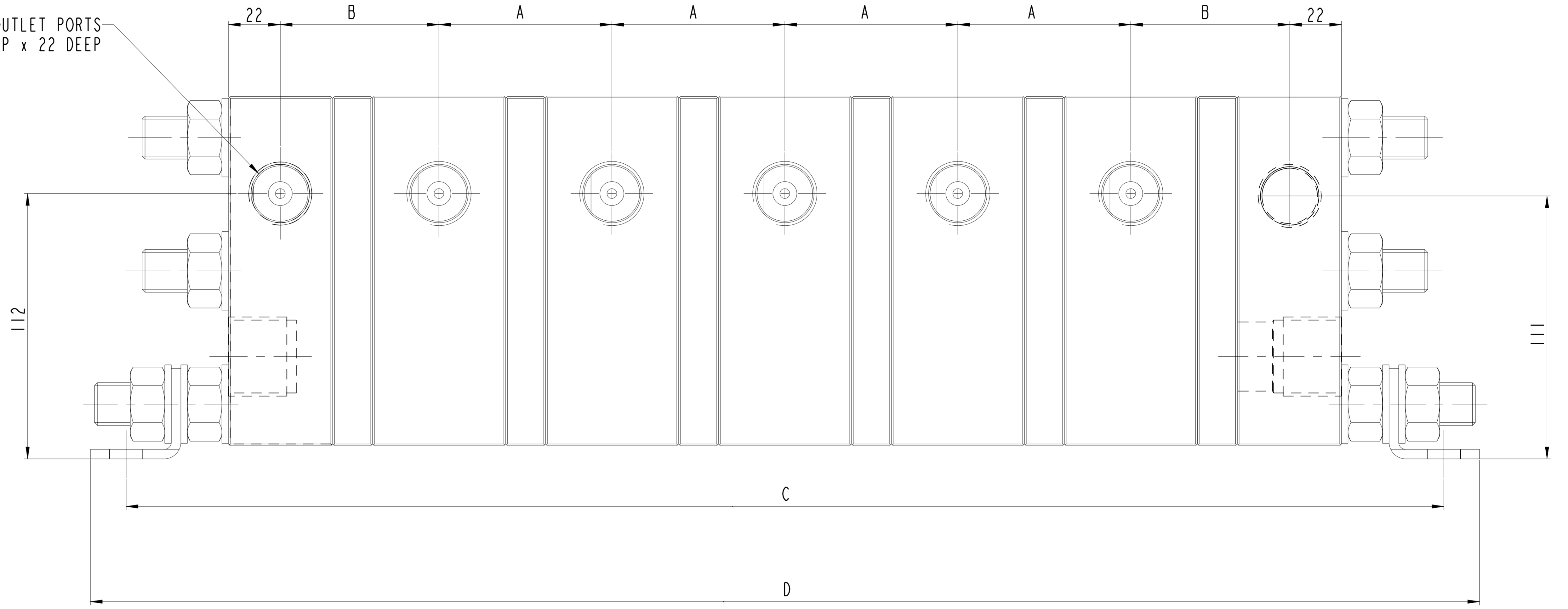


CAD ORIGINAL DO NOT ALTER BY HAND



2 INLET PORTS  
(1 EACH END)  
1" BSP x 24 DEEP

6 OUTLET PORTS  
3/4" BSP x 22 DEEP

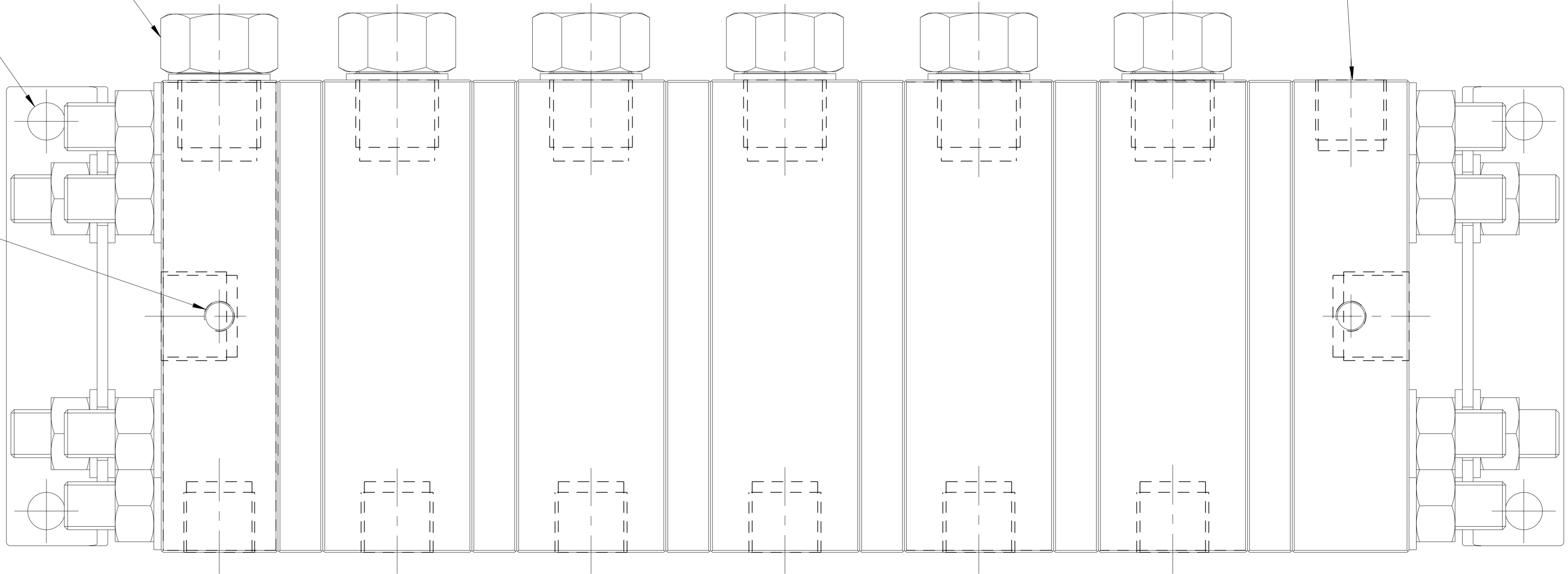


INTEGRAL RELIEF VALVE  
(ONE PER ELEMENT)

4 MOUNTING HOLES  
Ø14 THROUGH

2 HOLES M12 x 1.75P x 20 DEEP  
TO SUIT LIFTING EYE BOLT

1 RELIEF VALVE DRAIN PORT  
3/4" BSP x 22 DEEP



TYPE	DIM 'A'	DIM 'B'	DIM 'C'	DIM 'D'
FDL 6/12	67	61	520	550
FDL 6/18	73	67	556	586
FDL 6/24	78	72	586	616
FDL 6/30	84	78	622	652

GEOMETRIC TOLERANCE SYMBOLS REF. B.S. 308 : PART 3 : 1990		MATERIAL		DIMENSIONS IN MM & INCHES		SCALE 1:2		DATE		SLACK & PARR LTD. KEGWORTH-DERBY-ENGLAND	
STRAIGHTNESS	—	PARALLELISM	//	SYMMETRY	≡	SPEC.					
FLATNESS	▭	SQUARENESS	⊥	M.M.C.	⊕	TREATMENT					
ROUNDNESS	○	ANGULARITY	∠	MACHINE	✓	HARDNESS					
CYLINDRICITY	⊘	RUN OUT	↗	M/C OPTIONAL	✓	FINISH					
PROF. OF A LINE	⌒	POSITION	⊕	DO NOT M/C	✓	CLASS					
CONCENTRICITY	⊙	TAPER	⊲	PATT.	≡						

IDENTITY ZONE	TEXT
DR N	SG7
CH'D	SG7
DATE	08-04-10
PROJ./TYPE/SERIAL NO.	FDL6/4
TITLE	6 WAY FLOW DIVIDER ASSEMBLY
<small>© SLACK &amp; PARR LTD. 2010 THE DESIGN AND INFORMATION CONTAINED IN THIS DRAWING IS STRICTLY CONFIDENTIAL AND IS THE EXCLUSIVE PROPERTY OF SLACK &amp; PARR LIMITED AND MUST NOT BE USED, COPIED OR REPRODUCED IN PART OR WHOLE WITHOUT WRITTEN PERMISSION FROM SLACK &amp; PARR LIMITED.</small>	

REV.	ZONE	ALTERATION	SIG. & DATE	CAT.	PROF. OF A SURF.