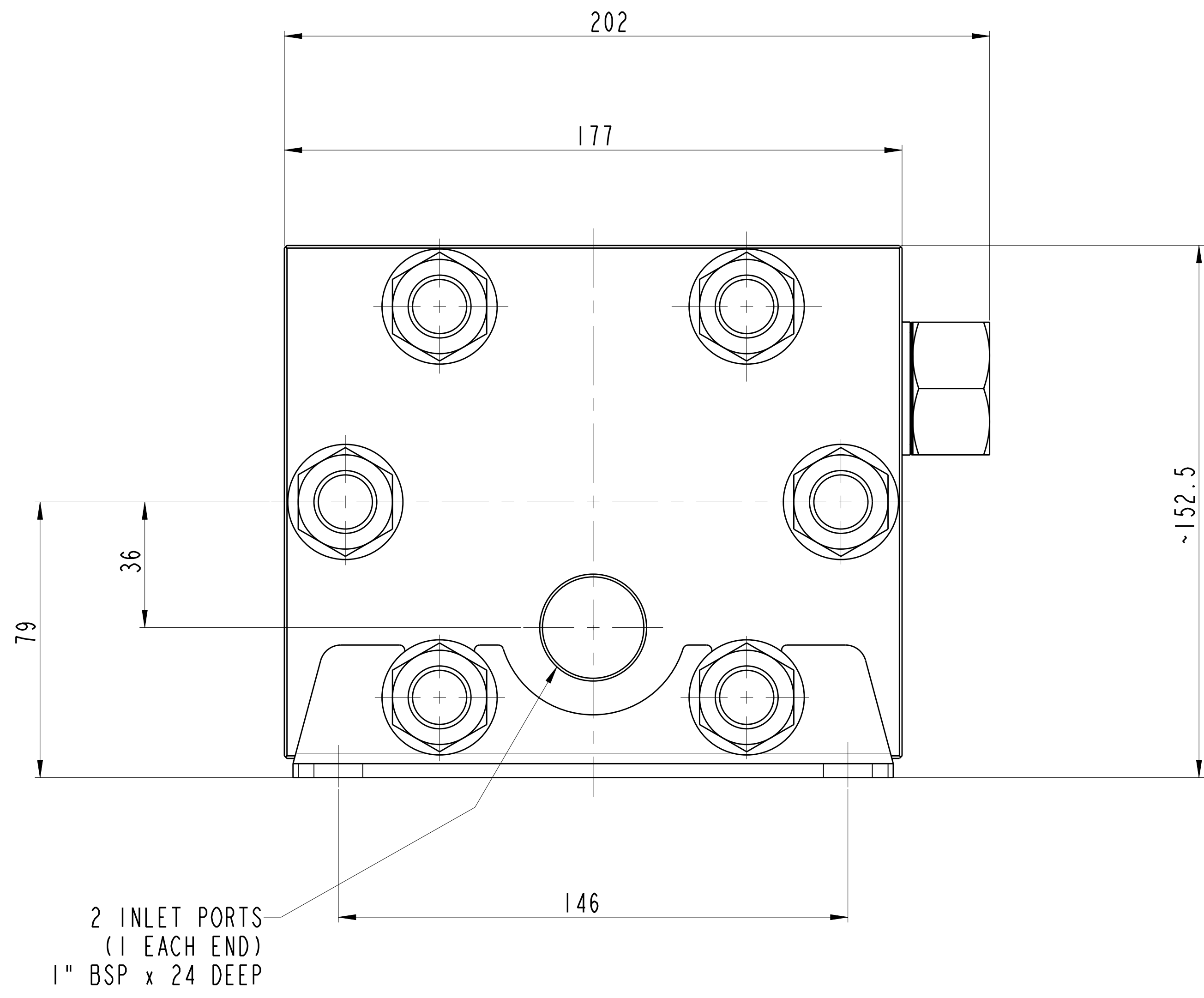
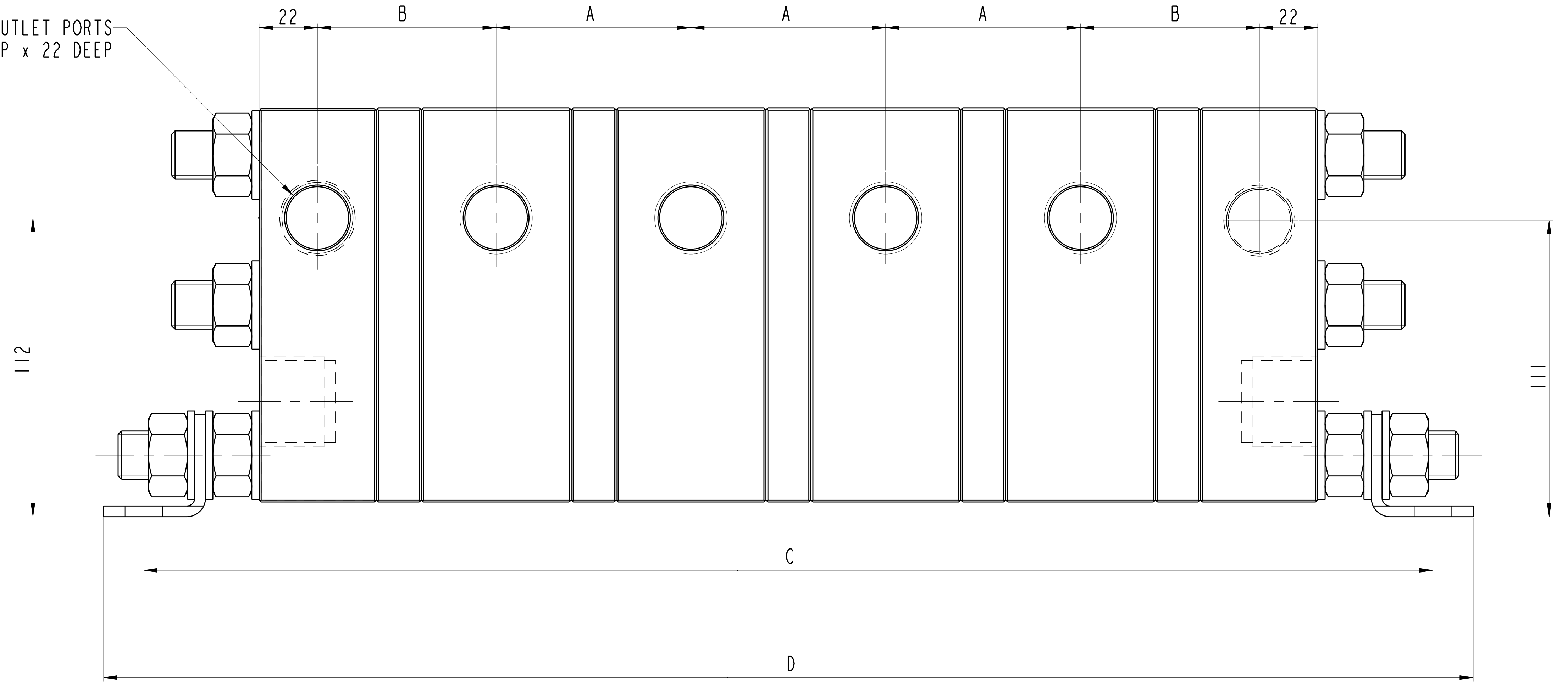


CAD ORIGINAL DO NOT ALTER BY HAND



5 OUTLET PORTS
3/4" BSP x 22 DEEP



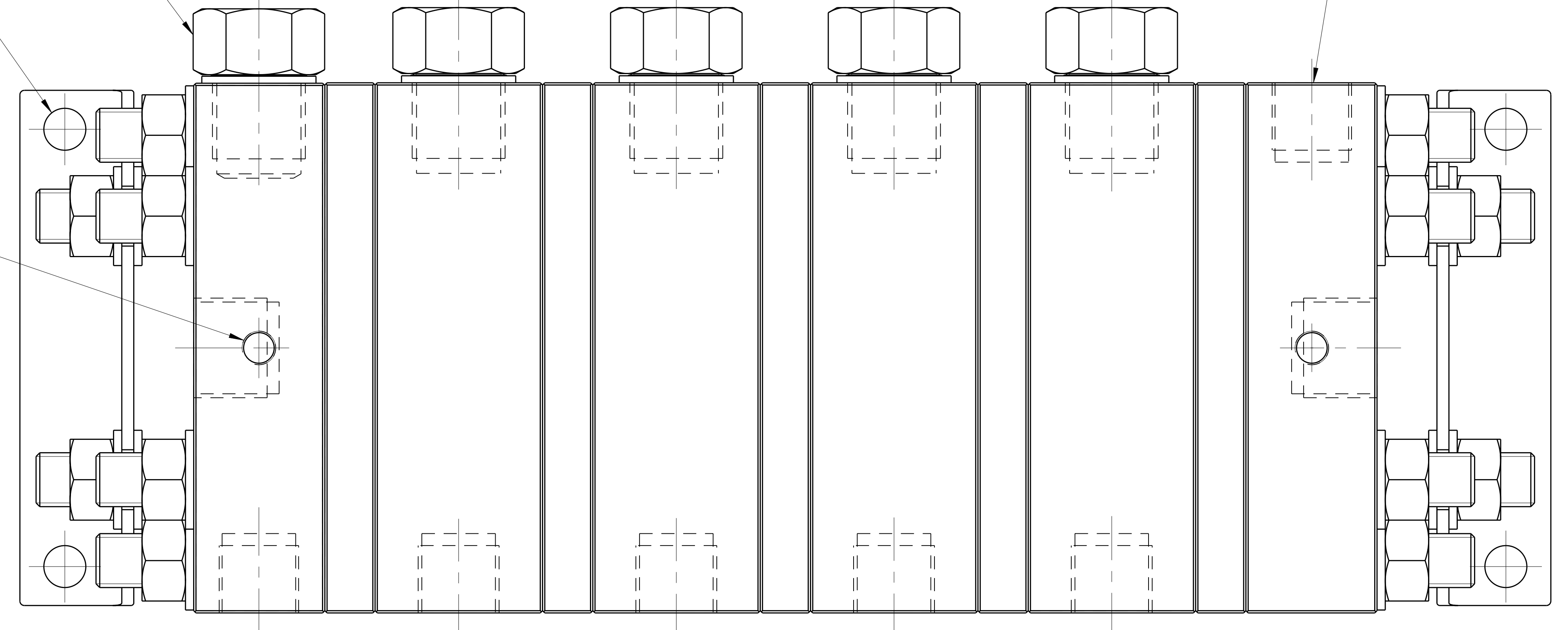
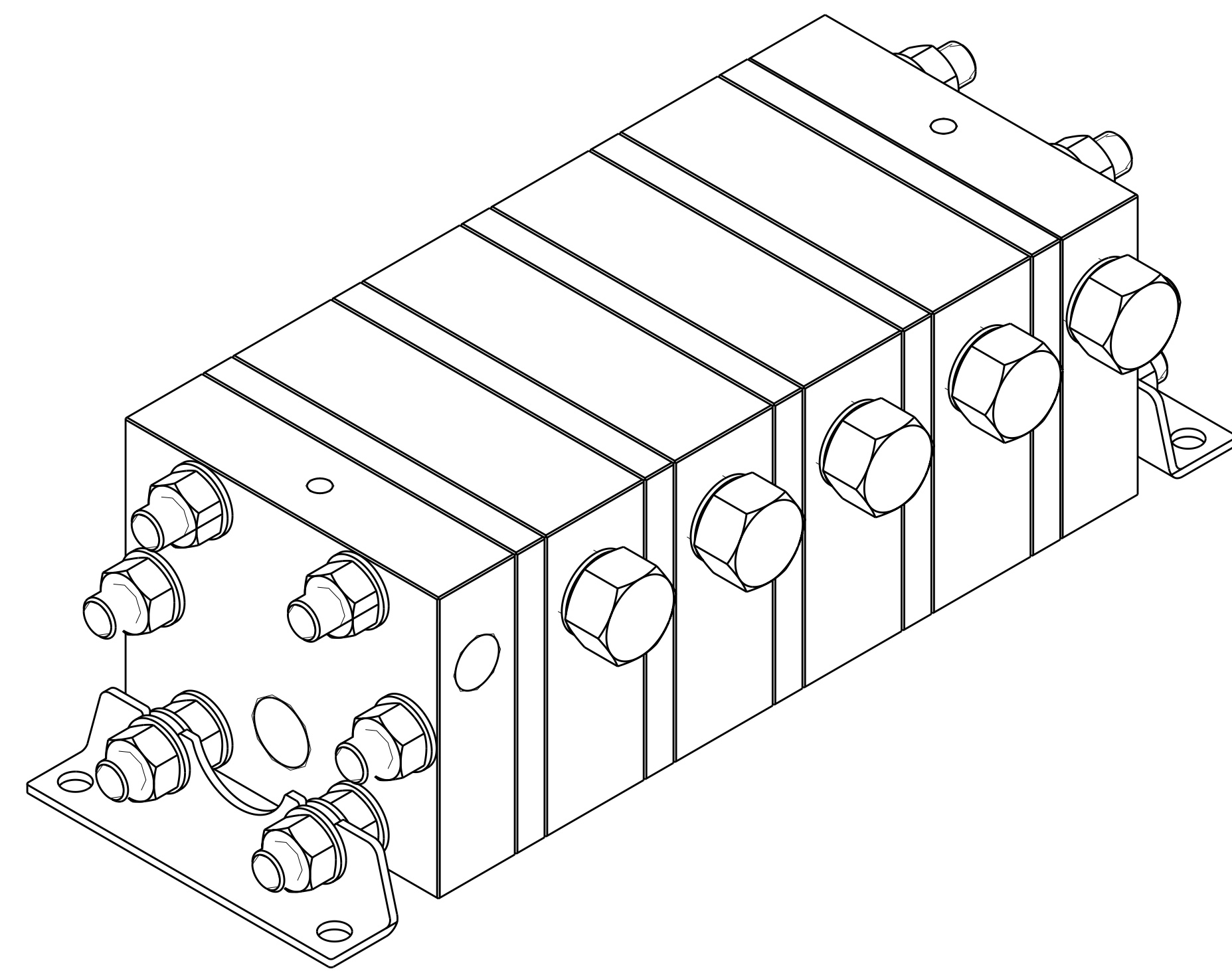
TYPE	DIM 'A'	DIM 'B'	DIM 'C'	DIM 'D'	FLOW RANGE
FDL 5/12	67	61	453	483	45-180 L/MIN
FDL 5/18	73	67	481	511	67-270 L/MIN
FDL 5/24	78	72	509	539	90-360 L/MIN
FDL 5/30	84	78	537	567	112-450 L/MIN

INTEGRAL RELIEF VALVE
(ONE PER ELEMENT)

4 MOUNTING HOLES
Ø 14 THROUGH

2 HOLES M12 x 1.75P x 20 DEEP
TO SUIT LIFTING EYE BOLT

1 RELIEF VALVE DRAIN PORT
3/4" BSP x 22 DEEP



IDENTITY ZONE		TEXT	
STRAIGHTNESS	—	PARALLELISM	//
FLATNESS	▭	SQUARENESS	⊥
ROUNDNESS	○	ANGULARITY	∠
CYLINDRICITY	⊘	RUN OUT	↗
PROF. OF A LINE	⌒	POSITION	⊕
REV.	ZONE	ALTERATION	SIG. & DATE
			CAT.
			PROF. OF A SURF.
			CONCENTRICITY
			DO NOT M/C
			TAPER
			PATT.
GEOMETRIC TOLERANCE SYMBOLS REF. B.S. 308 : PART 3 : 1990		MATERIAL	
SPEC.		TREATMENT	
M.M.C.		HARDNESS	
MACHINE		FINISH	
M/C OPTIONAL		CLASS	
DO NOT M/C		PATT.	
DIMENSIONS IN MM & INCHES		SCALE 1:2	
SURF. TEXT IN ROUGHNESS NOS		DATE	
TOLERANCE UNLESS STATED		DR N. 567	
DIMENSIONS ±		01-Apr-11	
ANGULAR		CH'D. ###	
THREAD TOLERANCE CLASS 4H/4s		TITLE	
S.M. TO H830502 + PLS		5 WAY FLOW DIVIDER ASSEMBLY	
© SLACK & PARR LTD. 2011 THE DESIGN AND INFORMATION CONTAINED IN THIS DRAWING IS STRICTLY CONFIDENTIAL AND IS THE EXCLUSIVE PROPERTY OF SLACK & PARR LIMITED AND MUST NOT BE USED, COPIED OR REPRODUCED IN PART OR WHOLE WITHOUT WRITTEN PERMISSION FROM SLACK & PARR LIMITED.		SHEET 1 OF 1	
		ORG. NO. HA830616	
		REVISION	