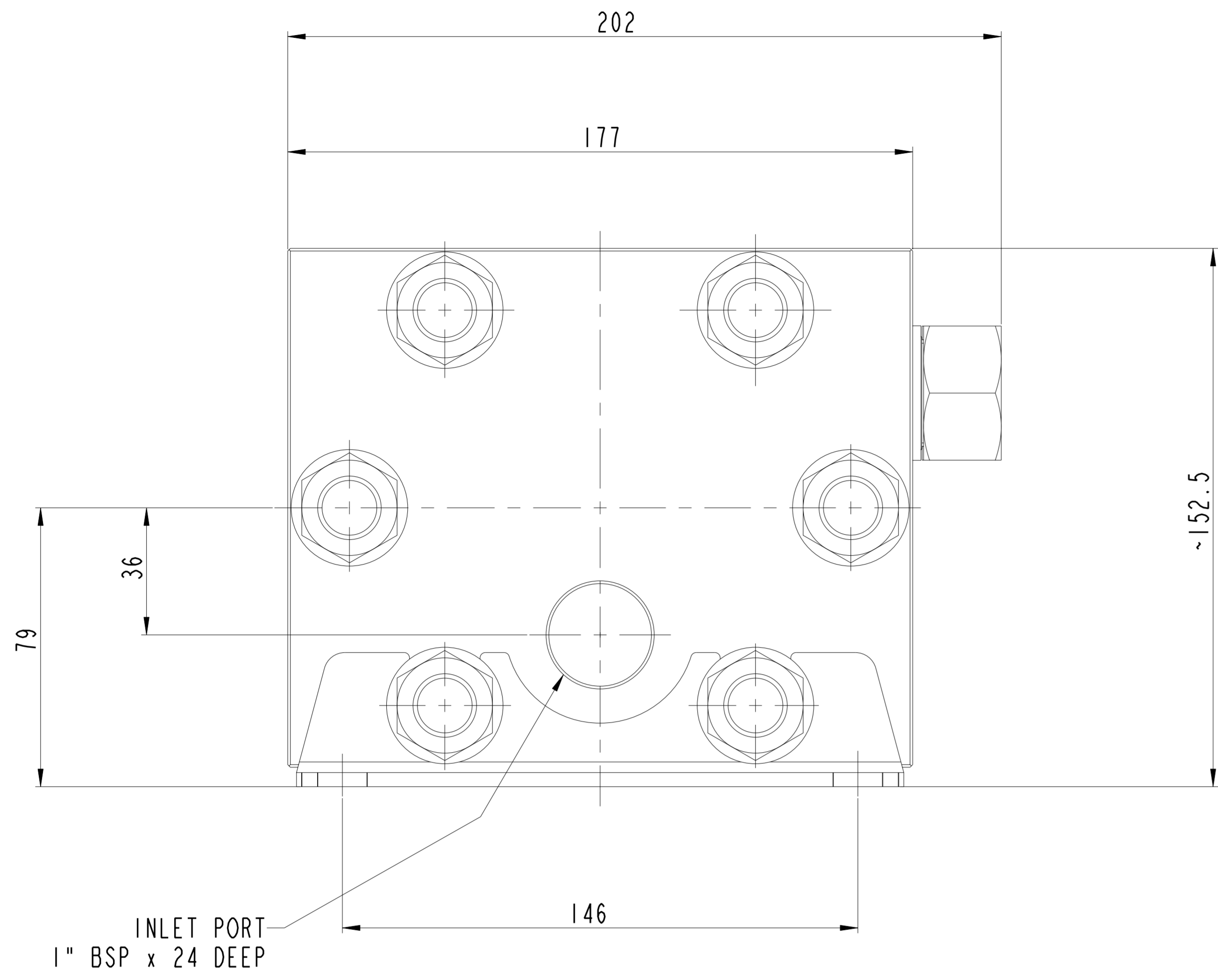
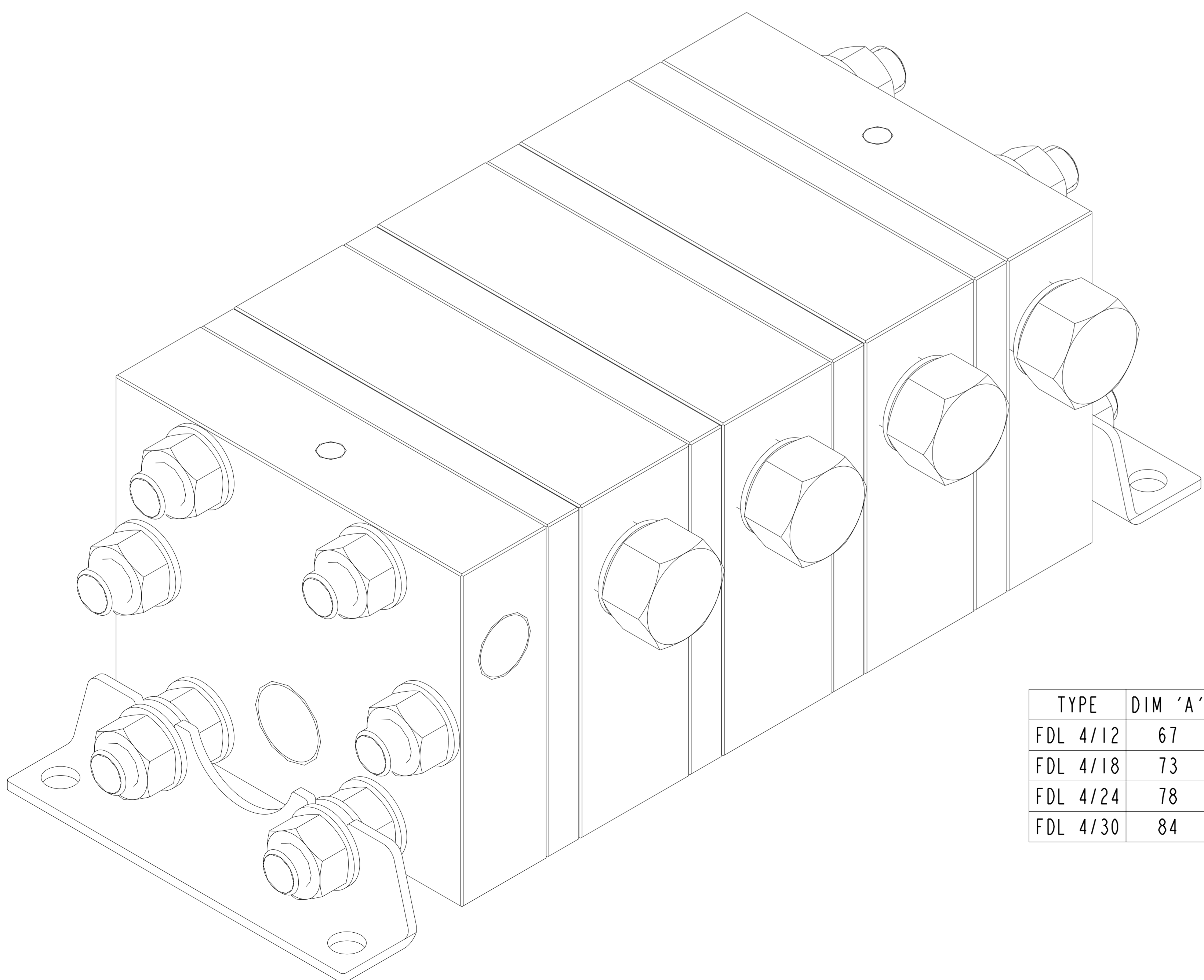
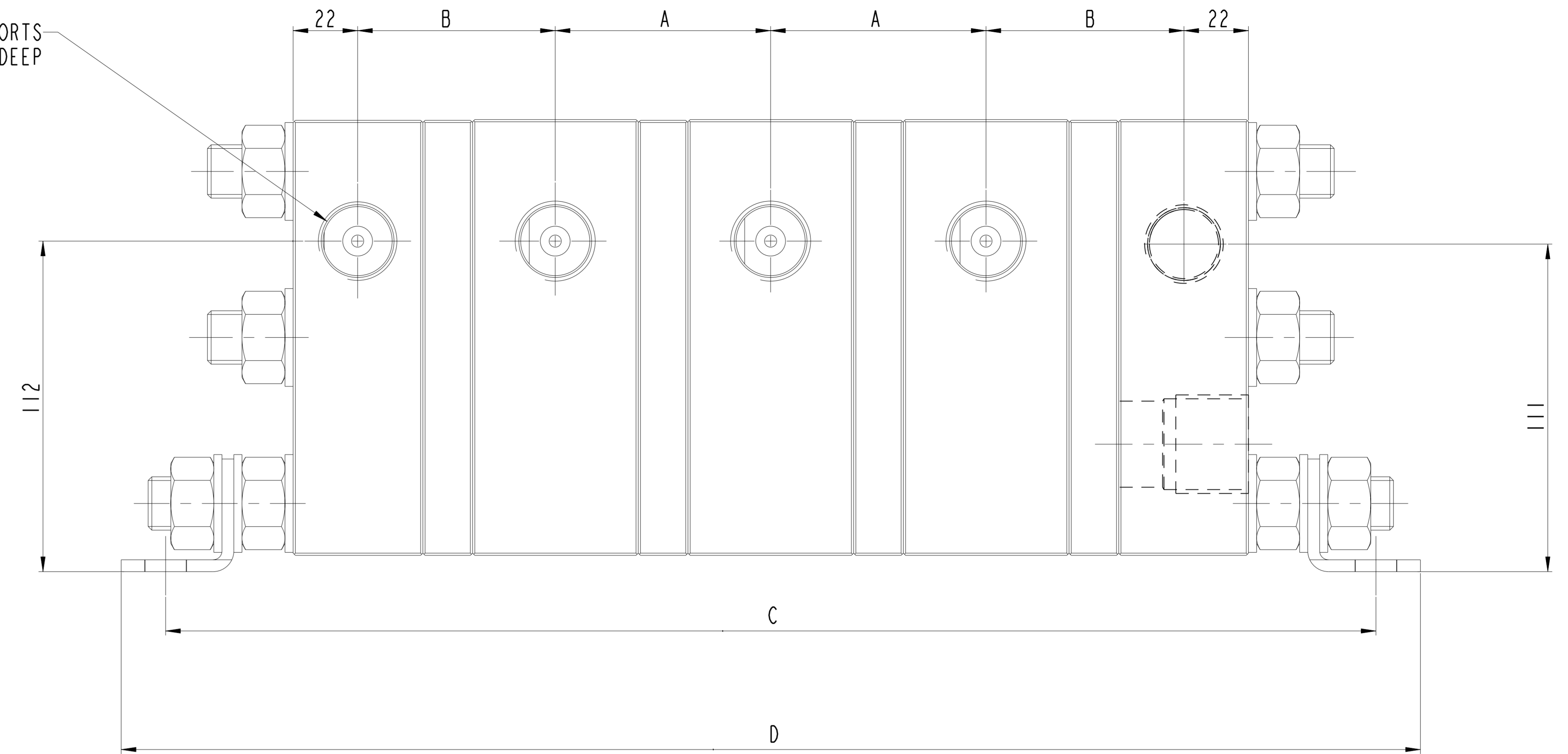


CAD ORIGINAL DO NOT ALTER BY HAND



4 OUTLET PORTS
3/4" BSP x 22 DEEP

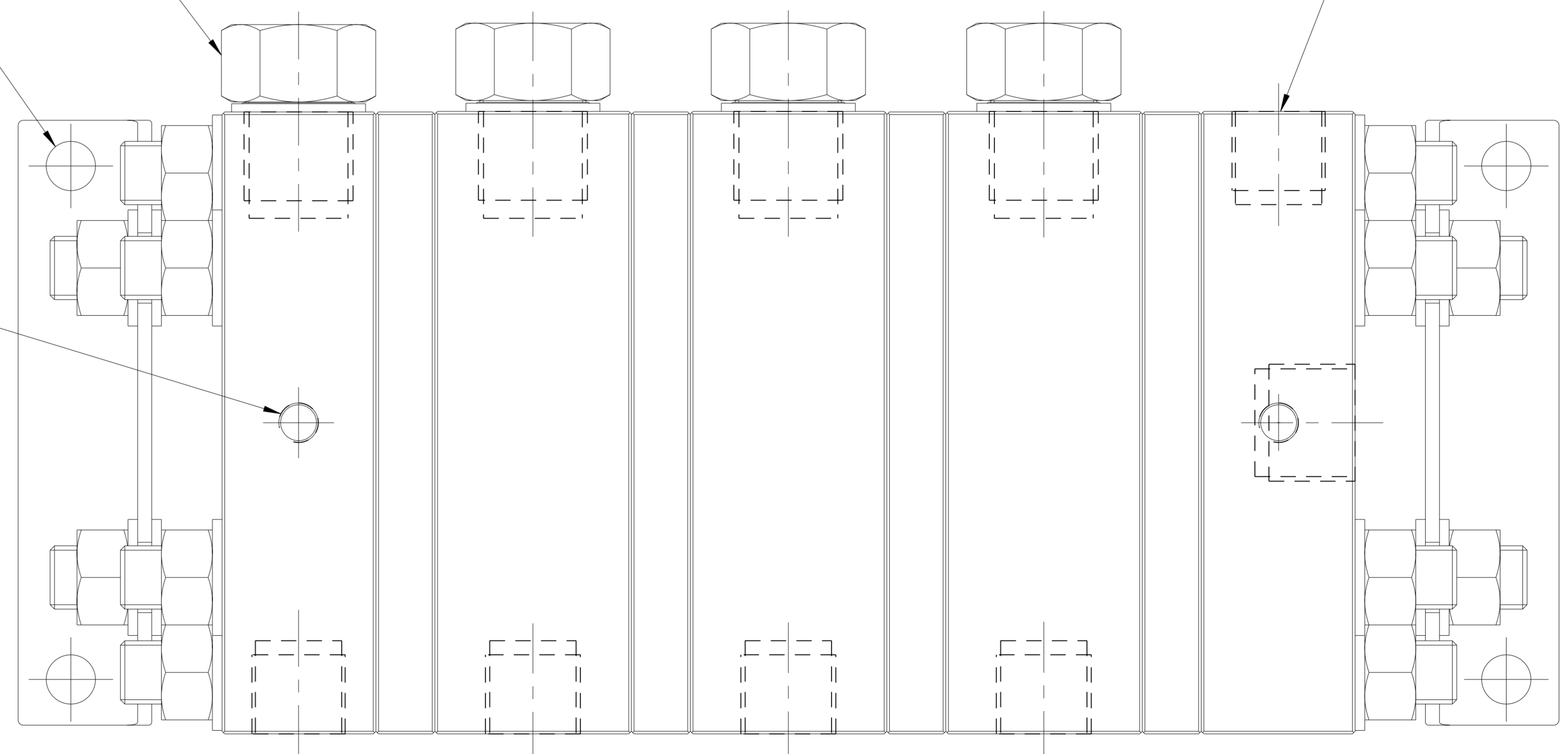


INTEGRAL RELIEF VALVE
(ONE PER ELEMENT)

4 MOUNTING HOLES
Ø14 THROUGH

2 HOLES M12 x 1.75P x 20 DEEP
TO SUIT LIFTING EYE BOLT

1 RELIEF VALVE DRAIN PORT
3/4" BSP x 22 DEEP



TYPE	DIM 'A'	DIM 'B'	DIM 'C'	DIM 'D'
FDL 4/12	67	61	387	417
FDL 4/18	73	67	409	439
FDL 4/24	78	72	432	462
FDL 4/30	84	78	454	484

IDENTITY ZONE		TEXT	
GEOMETRIC TOLERANCE SYMBOLS REF. B.S. 308 : PART 3 : 1990	MATERIAL	DIMENSIONS IN MM & INCHES	SCALE 1:1
STRAIGHTNESS —	PARALLELISM //	SURF. TEXT IN ROUGHNESS NOS.	DATE
FLATNESS ▭	SQUARENESS ⊥	TOLERANCE UNLESS STATED	DR W. SGT 13-July-10
ROUNDNESS ○	ANGULARITY ∠	DIMENSIONS ±	CH'D SGT 14-July-10
CYLINDRICITY Ⓞ	RUN OUT Ⓢ	ANGULAR TOLERANCE CLASS AS/BS	PROJ./TYPE/SERIAL NO.
PROF. OF A LINE ⤴	POSITION ⊕	THREAD TOLERANCE CLASS AS/BS	TITLE
CONCENTRICITY ⊕	TAPER ⤵	SIM. TO HARS3502 + PLS	4 WAY FLOW DIVIDER ASSEMBLY
		© SLACK & PARR LTD. 2010 THE DESIGN AND INFORMATION CONTAINED IN THIS DRAWING IS STRICTLY CONFIDENTIAL AND IS THE EXCLUSIVE PROPERTY OF SLACK & PARR LIMITED AND MUST NOT BE USED, COPIED OR REPRODUCED IN PART OR WHOLE WITHOUT WRITTEN PERMISSION FROM SLACK & PARR LIMITED	SHEET 1 OF 1

SLACK & PARR LTD. KEGWORTH-DERBY-ENGLAND	
DRG. NO. HA830615	REVISION