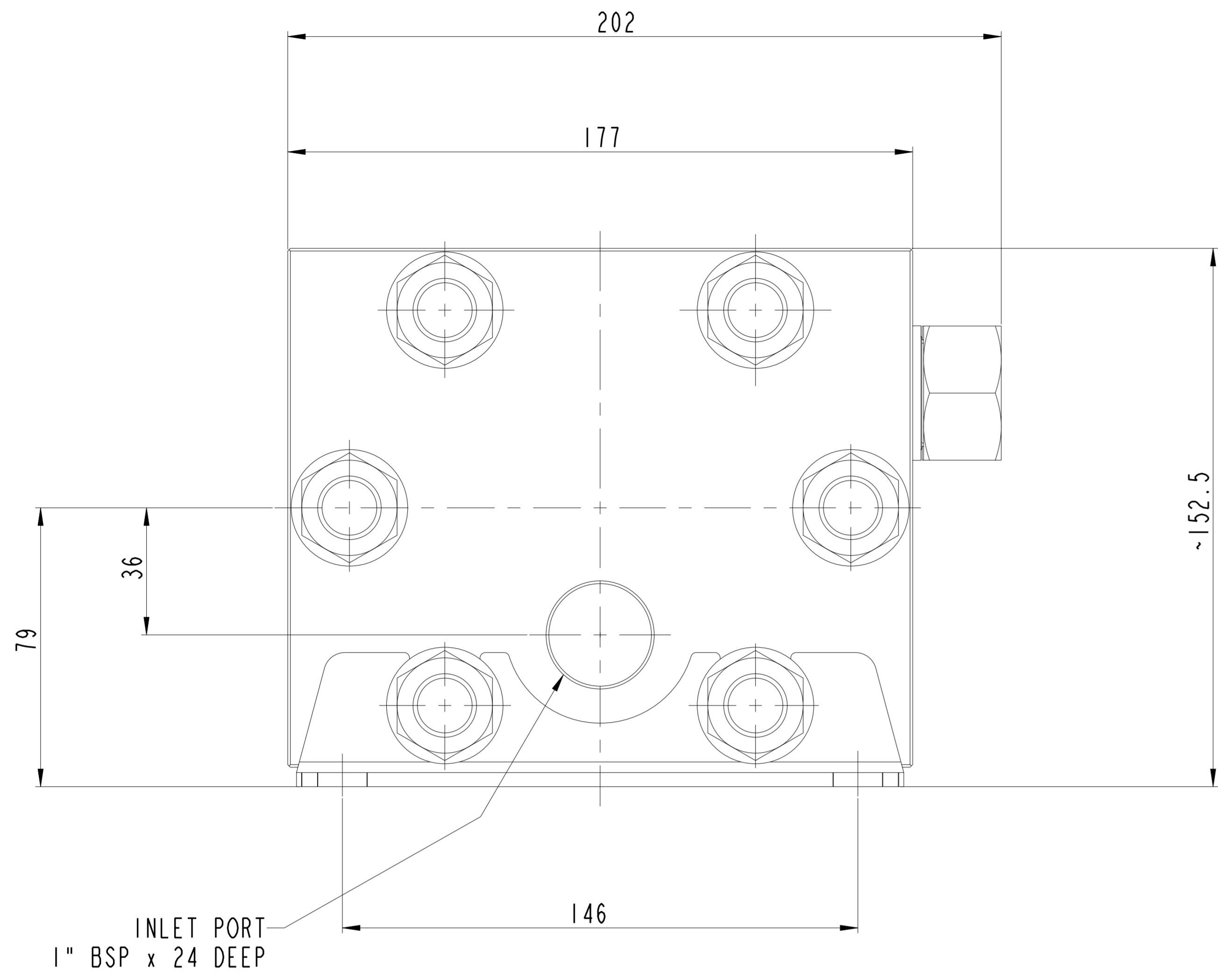
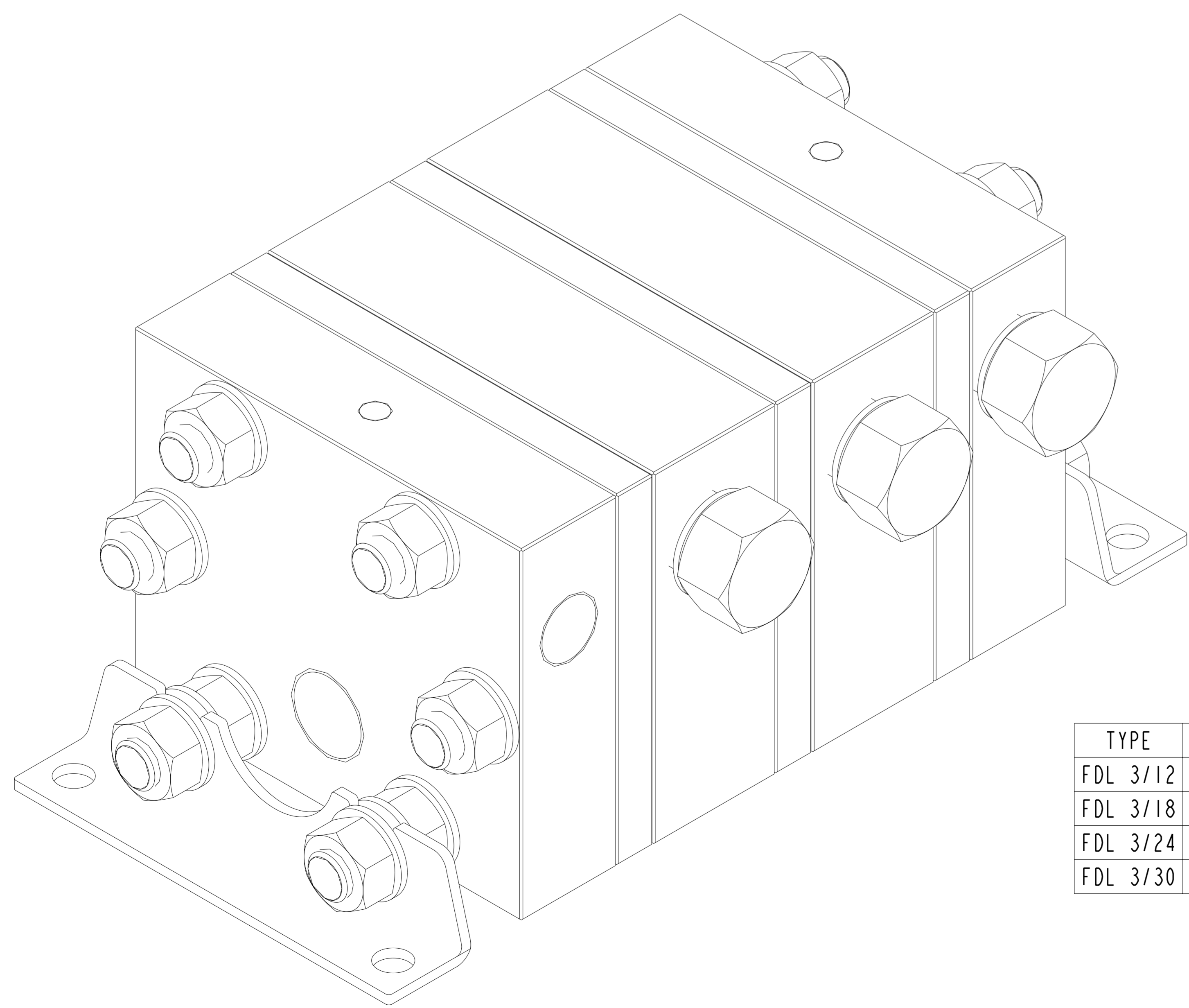
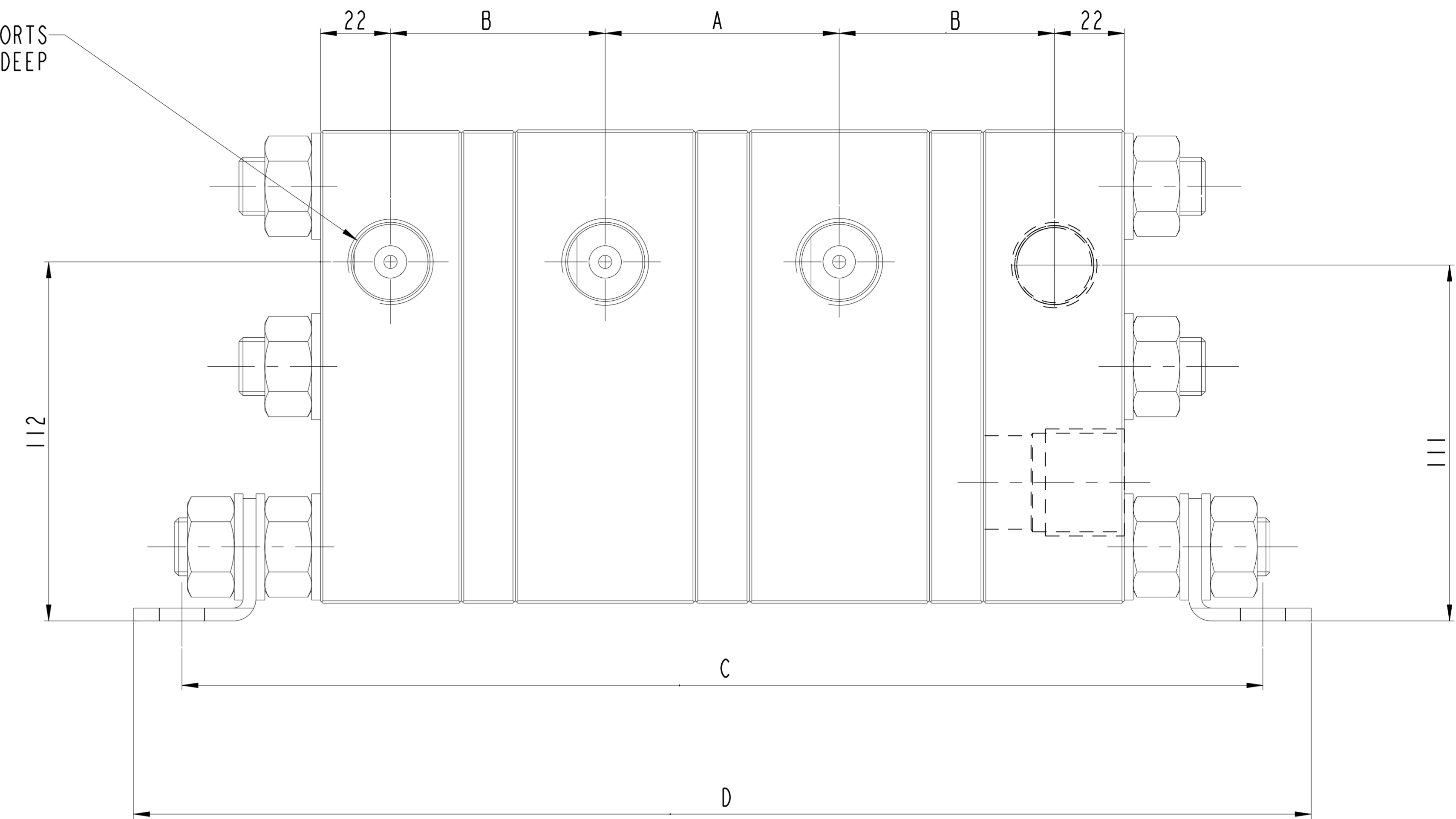


CAD ORIGINAL DO NOT ALTER BY HAND



4 OUTLET PORTS
3/4" BSP x 22 DEEP

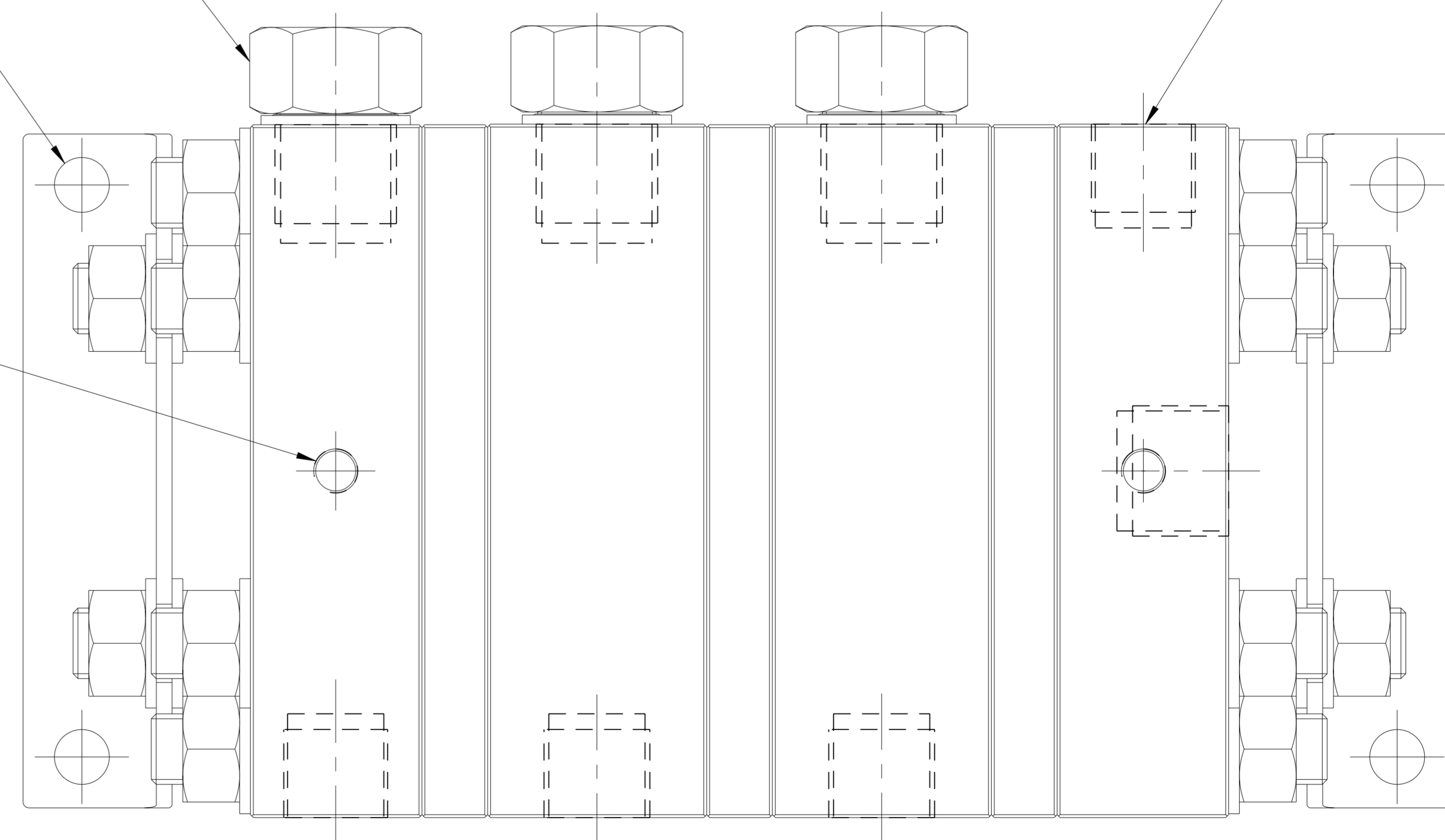


INTEGRAL RELIEF VALVE
(ONE PER ELEMENT)

4 MOUNTING HOLES
Ø14 THROUGH

2 HOLES M12 x 1.75P x 20 DEEP
TO SUIT LIFTING EYE BOLT

1 RELIEF VALVE DRAIN PORT
3/4" BSP x 22 DEEP



TYPE	DIM 'A'	DIM 'B'	DIM 'C'	DIM 'D'
FDL 3/12	67	61	319	349
FDL 3/18	73	67	336	366
FDL 3/24	78	72	353	383
FDL 3/30	84	78	369	399

IDENTITY ZONE		TEXT	
GEOMETRIC TOLERANCE SYMBOLS REF. B.S. 308 : PART 3 : 1990	MATERIAL	DIMENSIONS IN MM & INCHES	SCALE 1:1
STRAIGHTNESS —	PARALLELISM //	SYMMETRY ≡	SPEC.
FLATNESS ▭	SQUARENESS ⊥	M.M.C. ⊥	TREATMENT
ROUNDNESS ○	ANGULARITY ∠	MACHINE ✓	HARDNESS
CYLINDRICITY ⌀	RUN OUT ⤴	M/C OPTIONAL ✓	FINISH
PROF. OF A LINE ⤵	POSITION ⊕	DO NOT M/C ✓	CLASS
CONCENTRICITY ⊙	TAPER ⤶	PATT. ⤷	
REV.	ZONE	ALTERATION	SIG. & DATE
DIMENSIONS IN MM & INCHES		SCALE 1:1	DATE
SURF. TEXT IN ROUGHNESS NOS.		DR 'N' SGT	06-Aug-10
TOLERANCE UNLESS STATED		CH'D SGT	06-Aug-10
DIMENSIONS ±		TITLE	
ANGULAR ±		3 WAY FLOW DIVIDER ASSEMBLY	
THREAD TOLERANCE CLASS 6H/6g		SHEET	
S.M. TO HABS0502 + PLS		DRG. NO.	
© SLACK & PARR LTD. 2010 THE DESIGN AND INFORMATION CONTAINED IN THIS DRAWING IS STRICTLY CONFIDENTIAL AND IS THE EXCLUSIVE PROPERTY OF SLACK & PARR LIMITED AND MUST NOT BE USED, COPIED OR REPRODUCED IN PART OR WHOLE WITHOUT WRITTEN PERMISSION FROM SLACK & PARR LIMITED		1 OF 1	
		HA830614	