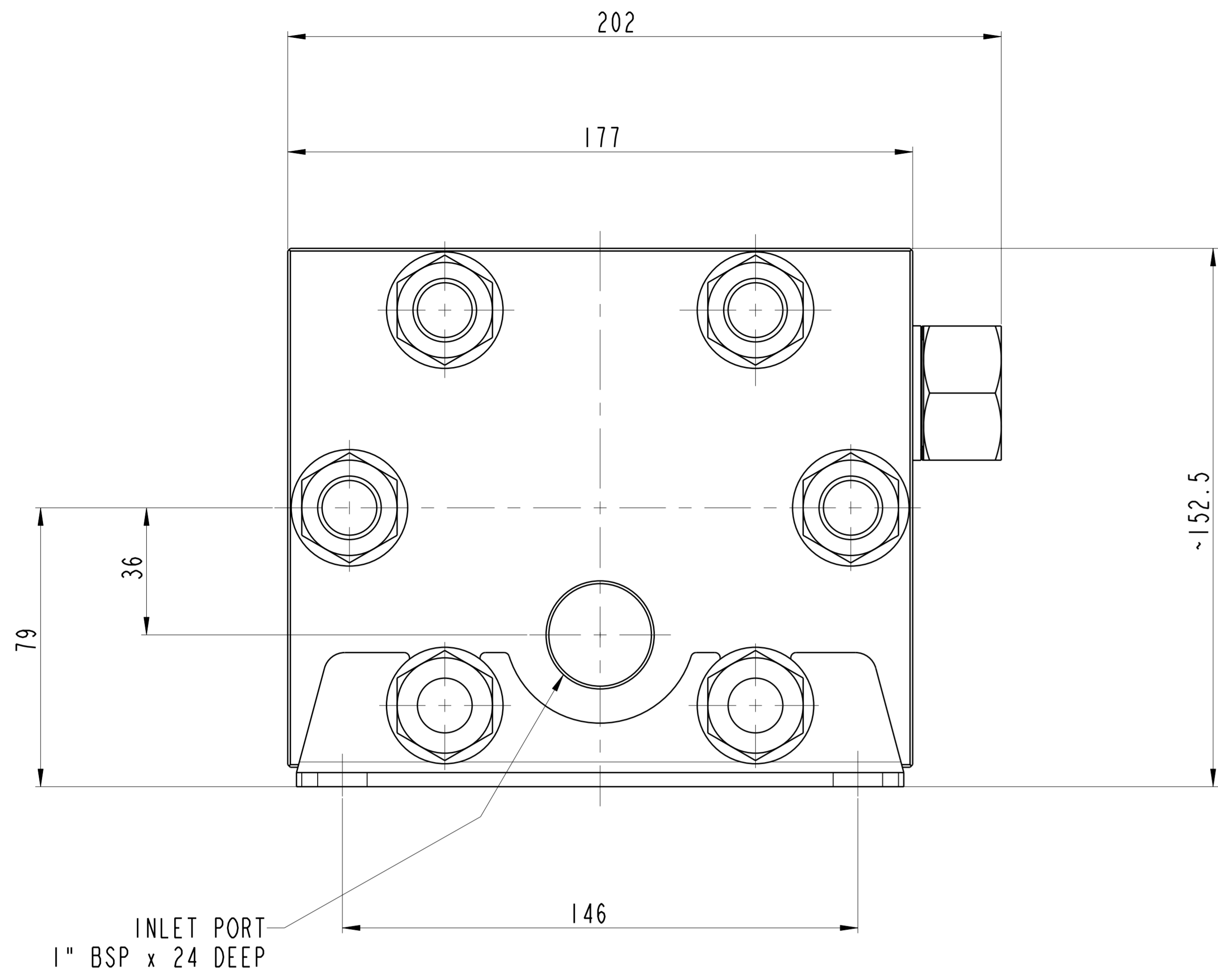
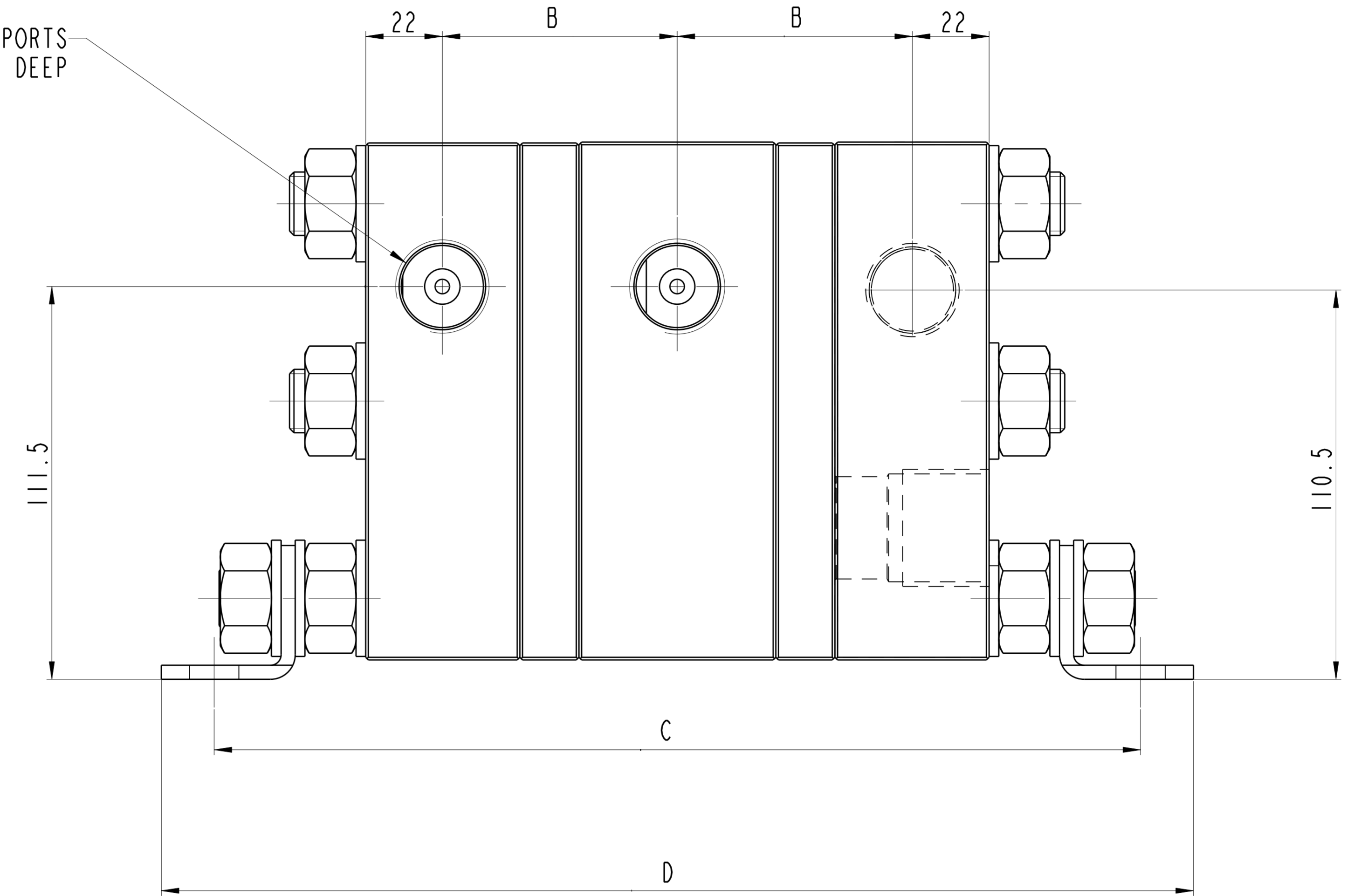


CAD ORIGINAL DO NOT ALTER BY HAND



2 OUTLET PORTS
 3/4" BSP x 22 DEEP

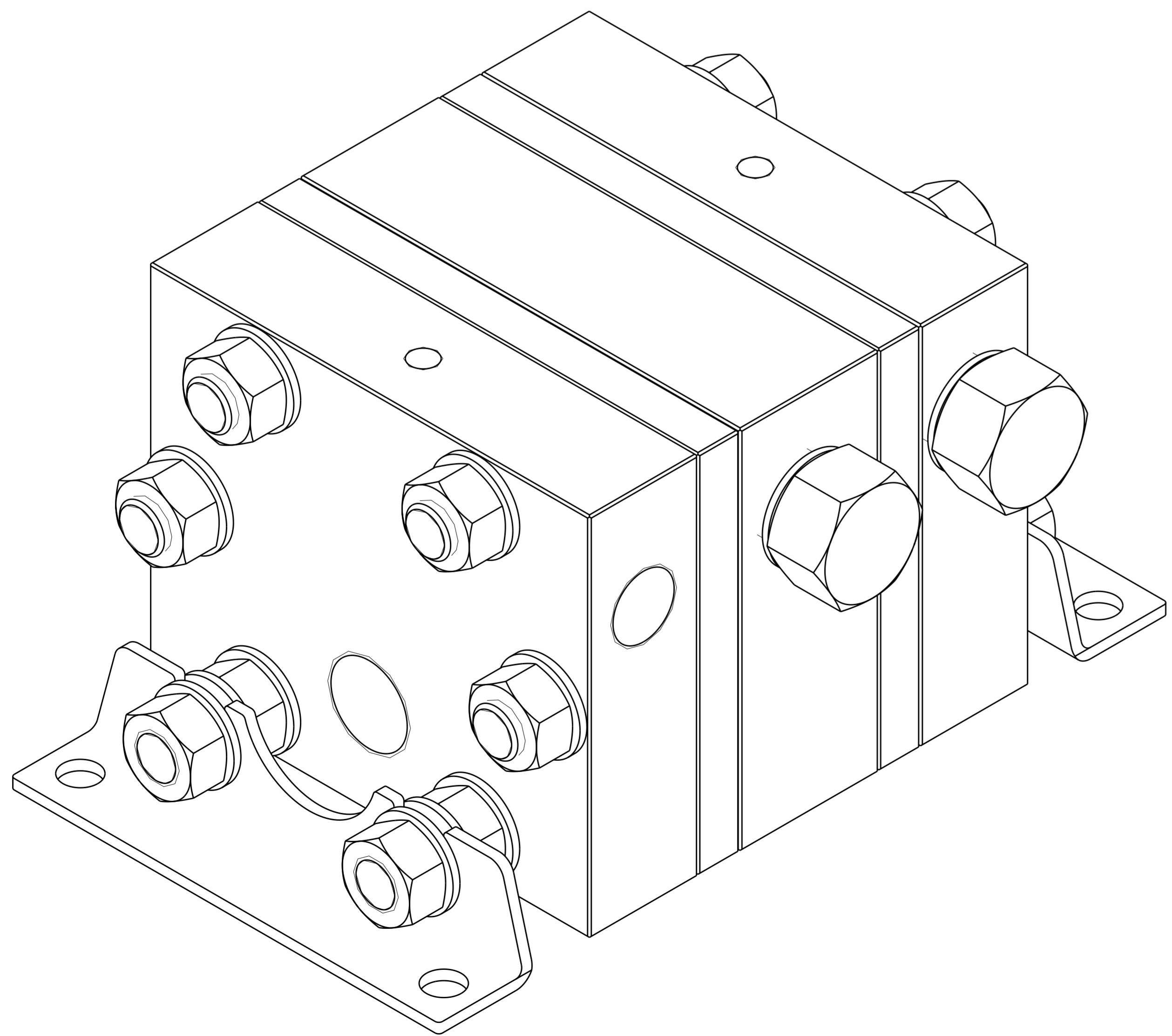


INTEGRAL RELIEF VALVE
 (ONE PER ELEMENT)

4 MOUNTING HOLES
 Ø14 THROUGH

1 RELIEF VALVE DRAIN PORT
 3/4" BSP x 22 DEEP

2 HOLES M12 x 1.75P x 20 DEEP
 TO SUIT LIFTING EYE BOLT



TYPE	DIM 'A'	DIM 'B'	DIM 'C'	DIM 'D'
FDL 2/12	-	61	252	282
FDL 2/18	-	67	264	294
FDL 2/24	-	72	274	304
FDL 2/30	-	78	286	316

GEOMETRIC TOLERANCE SYMBOLS REF. B.S. 308 : PART 3 : 1990		MATERIAL		DIMENSIONS IN MM & INCHES		SCALE 1:1		DATE		SLACK & PARR LTD. KEGWORTH-DERBY-ENGLAND	
STRAIGHTNESS	—	PARALLELISM	//	SYMMETRY	≡	SPEC.				DR N. DLB	3-FEB-10
FLATNESS	▭	SQUARENESS	⊥	M.M.C.	Ⓢ	TREATMENT				CH'D. SGT	7-Apr-10
ROUNDNESS	○	ANGULARITY	∠	MACHINE	✓	HARDNESS					
CYLINDRICITY	⊘	RUN OUT	⊃	M/C OPTIONAL	✓	FINISH					
PROF. OF A LINE	⌒	POSITION	⊕	DO NOT M/C	✓	CLASS					
CONCENTRICITY	◎	TAPER	⊘		≡	PATT.					

IDENTITY ZONE	TEXT	TITLE	
		2 WAY FLOW DIVIDER ASSEMBLY	
© SLACK & PARR LTD. 2010 THE DESIGN AND INFORMATION CONTAINED IN THIS DRAWING IS STRICTLY CONFIDENTIAL AND IS THE EXCLUSIVE PROPERTY OF SLACK & PARR LIMITED AND MUST NOT BE USED, COPIED OR REPRODUCED IN PART OR WHOLE WITHOUT WRITTEN PERMISSION FROM SLACK & PARR LIMITED.		SHEET	REV. NO.
1 OF 1	HA830613		