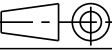
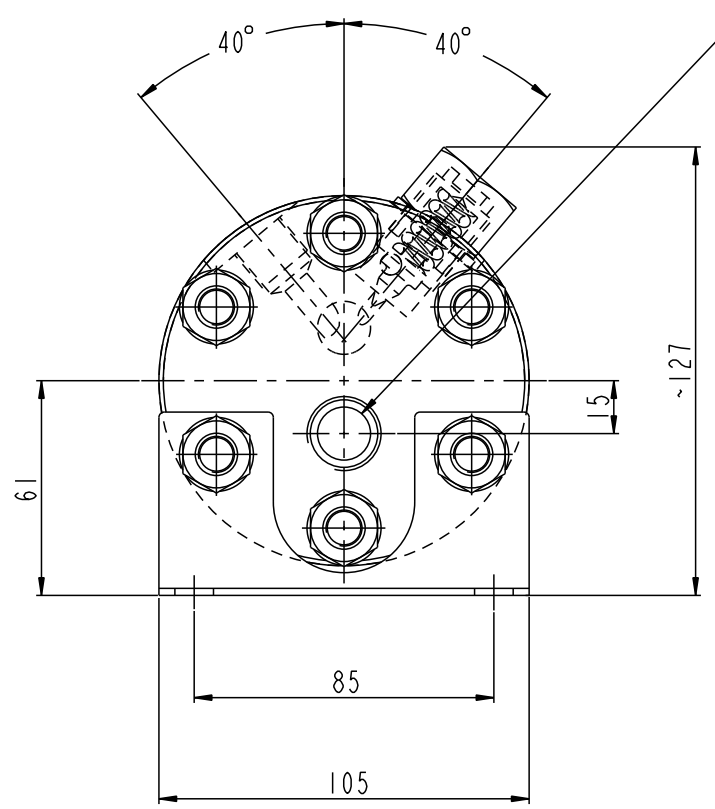


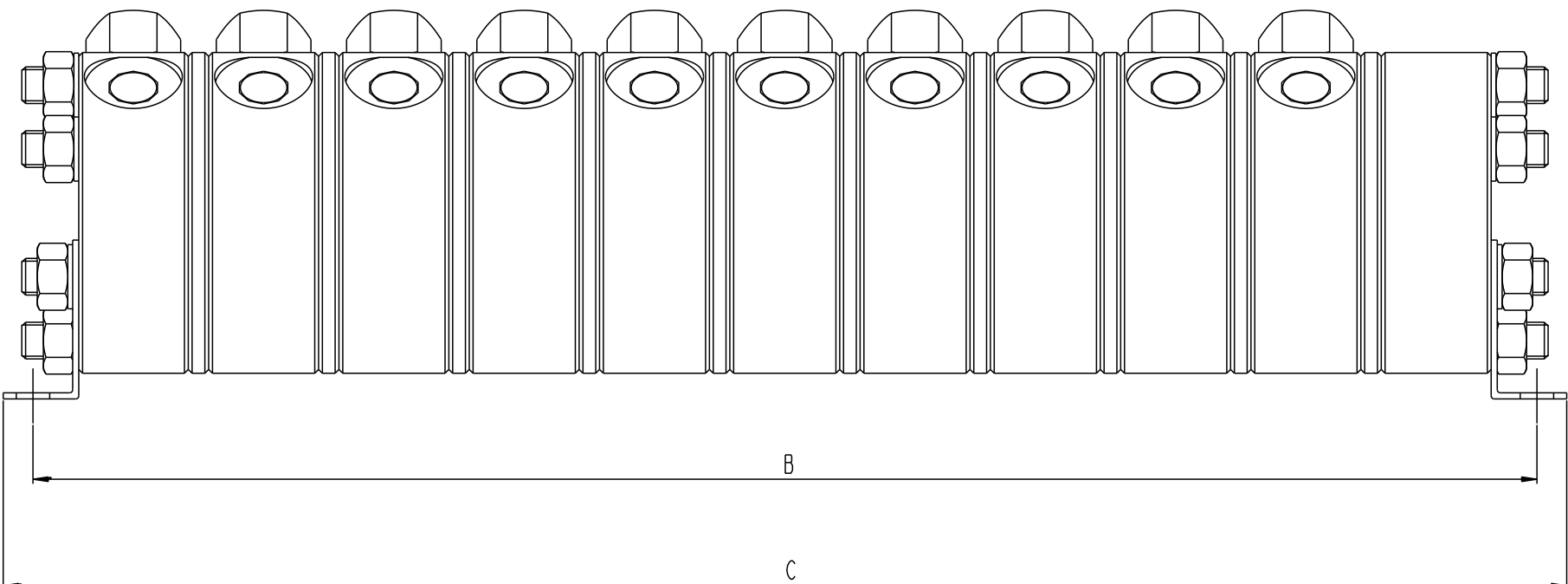
PROJ.   
 DOS/005 REFERS

DO NOT SCALE

CAD ORIGINAL DO NOT ALTER BY HAND



2 INLET PORTS  
 (1 EACH END)  
 1/2" BSP x 18 DEEP



4 MOUNTING HOLES  
 Ø11 THROUGH

1 RELIEF VALVE DRAIN PORT  
 3/8" BSP x 11 DEEP

10 OUTLET PORTS  
 3/8" BSP x 11 DEEP

MOUNTING POSITION (DIM 'C') ±1.5  
 DUE TO COMPONENT TOLERANCES

TYPE	DIM 'A'	DIM 'B'	DIM 'C'	FLOW RANGE
FDR 10/2	42.6	491.4	511.4	15-60 L/MIN
FDR 10/4	49.3	558.2	578.2	30-120 L/MIN
FDR 10/6	56	624.7	644.7	45-180 L/MIN
FDR 10/9	66	724.9	744.9	67-270 L/MIN

GEOMETRIC TOLERANCE SYMBOLS REF. B.S. 308 : PART 3 : 1990				MATERIAL	
STRAIGHTNESS	—	PARALLELISM	//	SYMMETRY	≡
FLATNESS	▭	SQUARENESS	⊥	M.M.C.	⊕
ROUNDNESS	○	ANGULARITY	∠	MACHINE	✓
CYLINDRICITY	⊘	RUN OUT	↗	M/C OPTIONAL	✓
PROF. OF A LINE	⌒	POSITION	⊕	DO NOT M/C	✓
PROF. OF A SURF.	⌒	CONCENTRICITY	◎	TAPER	∇

IDENTITY ZONE	TEXT	
DIMENSIONS IN MM & INCHES	SCALE 1:1	DATE
SURF. TEXT IN ROUGHNESS NOS.	DR. N. SGT	16-Mar-06
TOL. UNLESS STATED	SLACK & PARR LTD. KEGWORTH-DERBY-ENGLAND	
DIMENSIONAL ±	PROJ./TYPE/SERIAL NO.	
ANGULAR ±	TITLE	
SIM. TO	FLOW DIVIDER ASSEMBLY-10 WAY	
<small>© SLACK &amp; PARR LTD. 2006 THE DESIGN AND INFORMATION CONTAINED IN THIS DRAWING IS STRICTLY CONFIDENTIAL AND IS THE EXCLUSIVE PROPERTY OF SLACK &amp; PARR LIMITED AND MUST NOT BE USED, COPIED OR REPRODUCED IN PART OR WHOLE WITHOUT WRITTEN PERMISSION FROM SLACK &amp; PARR LIMITED</small>		
SHEET 1 OF 1	DRG. NO. HB830328	REVISION

REV.	ZONE	ALTERATION	SIG. & DATE	CAT.