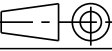
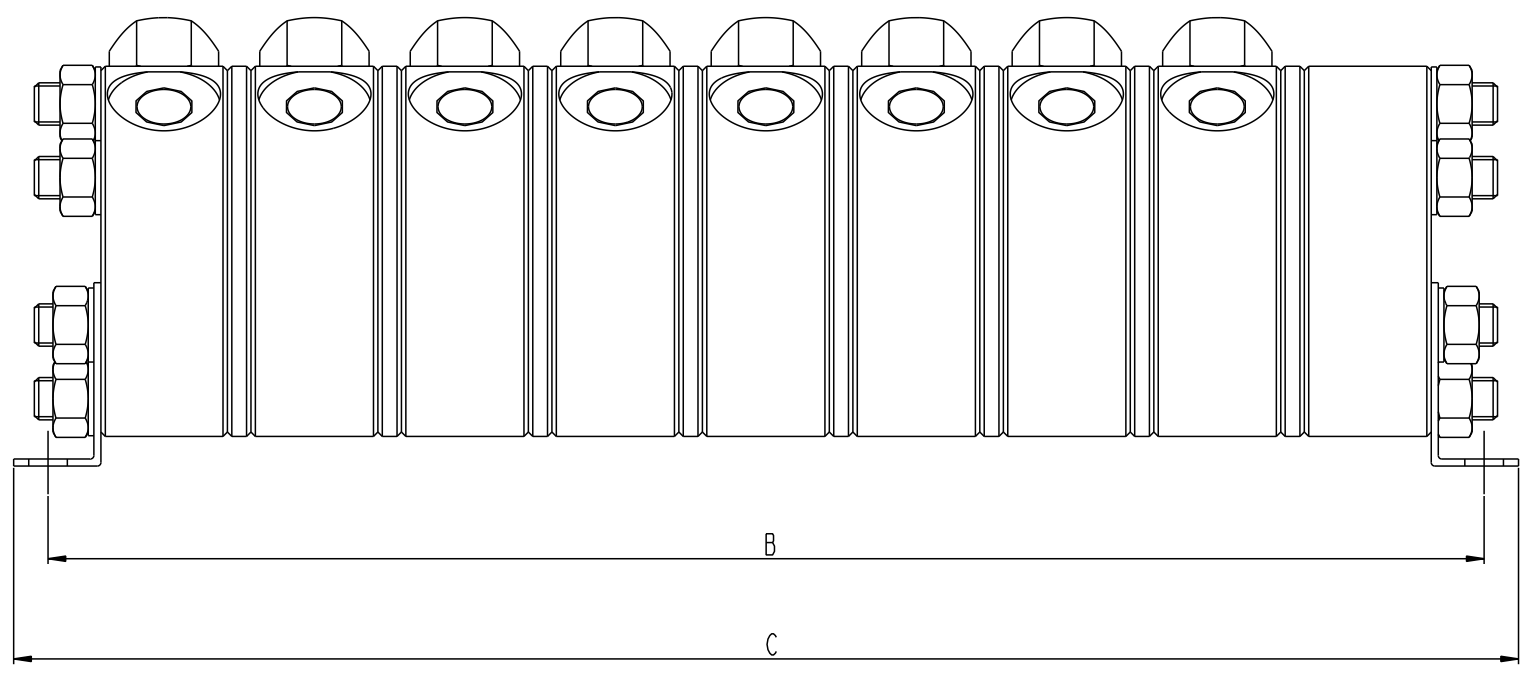
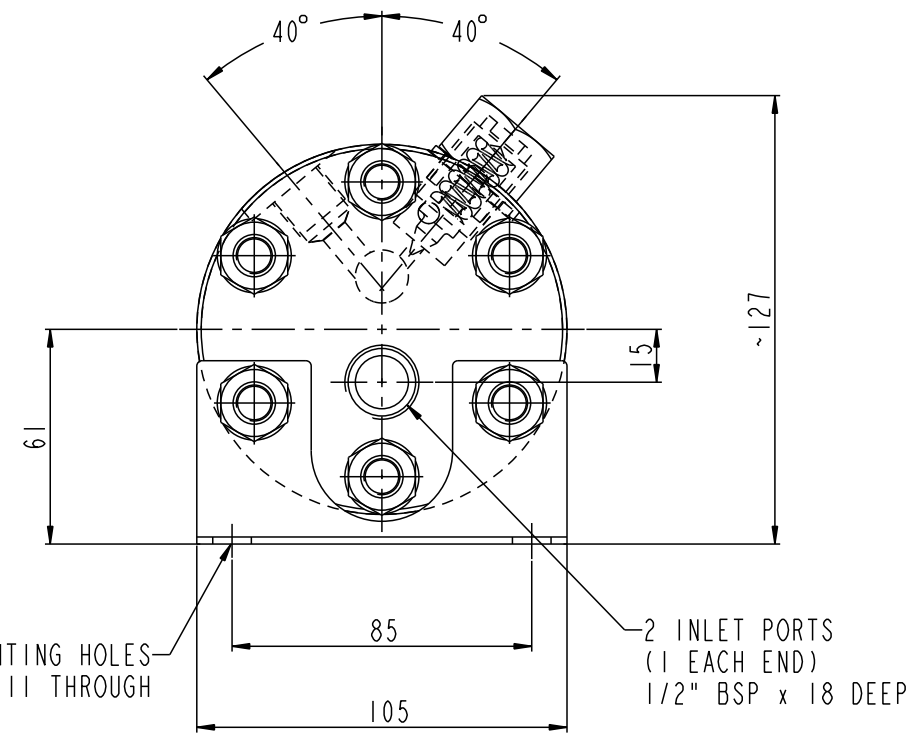


PROJ. 
 DOS/005 REFERS

DO NOT SCALE

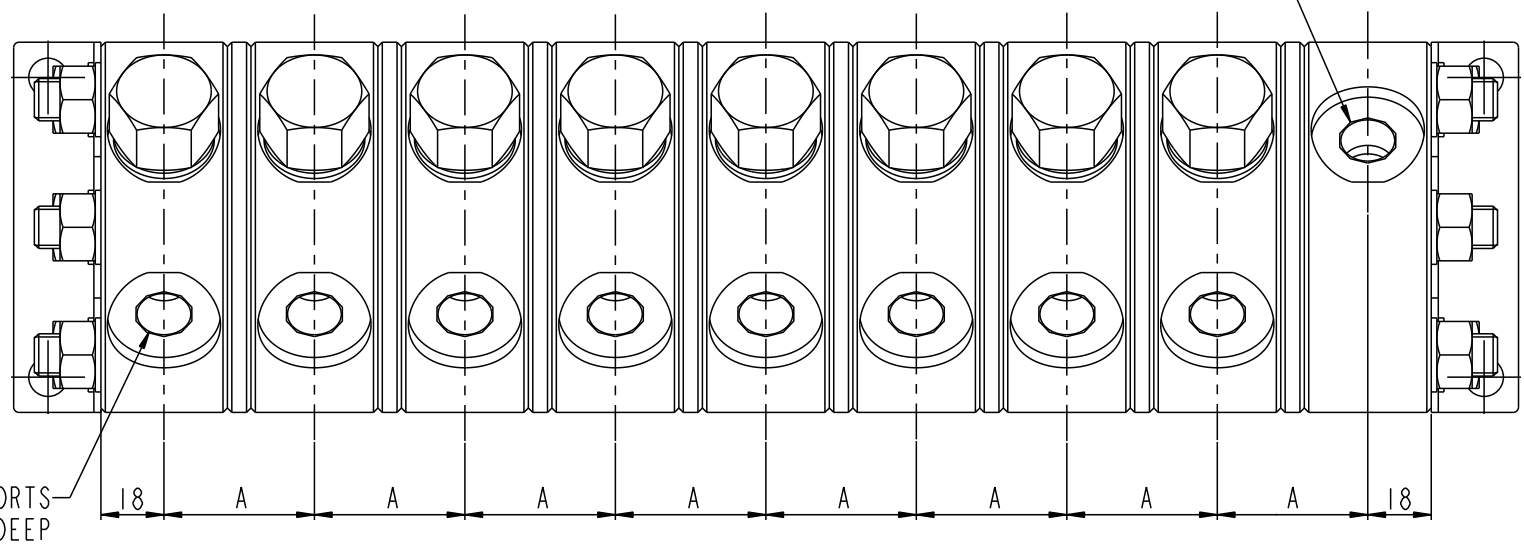
CAD ORIGINAL DO NOT ALTER BY HAND



TYPE	DIM 'A'	DIM 'B'	DIM 'C'	FLOW RANGE
FDR 8/2	42.6	406.3	426.3	12-48 L/MIN
FDR 8/4	49.3	459.7	479.7	24-96 L/MIN
FDR 8/6	56	513.0	533.0	36-144 L/MIN
FDR 8/9	66	593.1	613.1	54-216 L/MIN

MOUNTING POSITION (DIM 'B') ±1.13
 DUE TO COMPONENT TOLERANCES

1 RELIEF VALVE DRAIN PORT
 3/8" BSP x 11 DEEP



8 OUTLET PORTS
 3/8" BSP x 11 DEEP

				GEOMETRIC TOLERANCE SYMBOLS REF. B.S. 308 : PART 3 : 1990				MATERIAL		√=IDENTITY ZONE		TEXT	
				STRAIGHTNESS	—	PARALLELISM	//	SYMMETRY	≡	SPEC.	DIMENSIONS IN MM & INCHES	SCALE 1:1	DATE
				FLATNESS	▭	SQUARENESS	⊥	M.M.C.	⊕	TREATMENT	SURF. TEXT IN ROUGHNESS NOS.	DR 'N. SGT	16-Mar-06
				ROUNDNESS	○	ANGULARITY	∠	MACHINE	✓	HARDNESS	TOL. UNLESS STATED	CH'D.	PROJ./TYPE/SERIAL NO.
				CYLINDRICITY	⊘	RUN OUT	↗	M/C OPTIONAL	✓	FINISH	DIMENSIONAL ±	TITLE	
				PROF. OF A LINE	∩	POSITION	⊕	DO NOT M/C	✓	CLASS	SIM. TO	PLS	FLOW DIVIDER ASSEMBLY-8 WAY
REV.	ZONE	ALTERATION	SIG. & DATE	CAT.	PROF. OF A SURF.	CONCENTRICITY	◎	TAPER	∇	PATT.	© SLACK & PARR LTD. 2006 THE DESIGN AND INFORMATION CONTAINED IN THIS DRAWING IS STRICTLY CONFIDENTIAL AND IS THE EXCLUSIVE PROPERTY OF SLACK & PARR LIMITED AND MUST NOT BE USED, COPIED OR REPRODUCED IN PART OR WHOLE WITHOUT WRITTEN PERMISSION FROM SLACK & PARR LIMITED		
											SHEET 1 OF 1	DRG. NO. HB830326	REVISION