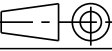
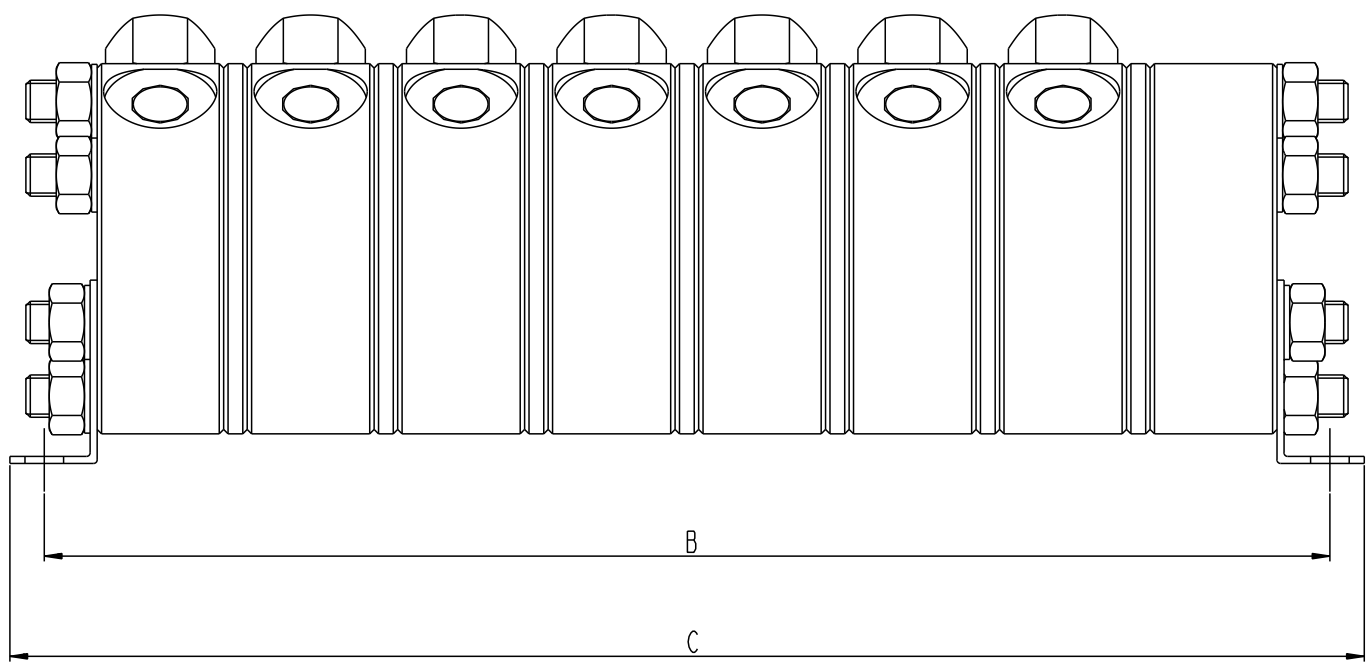
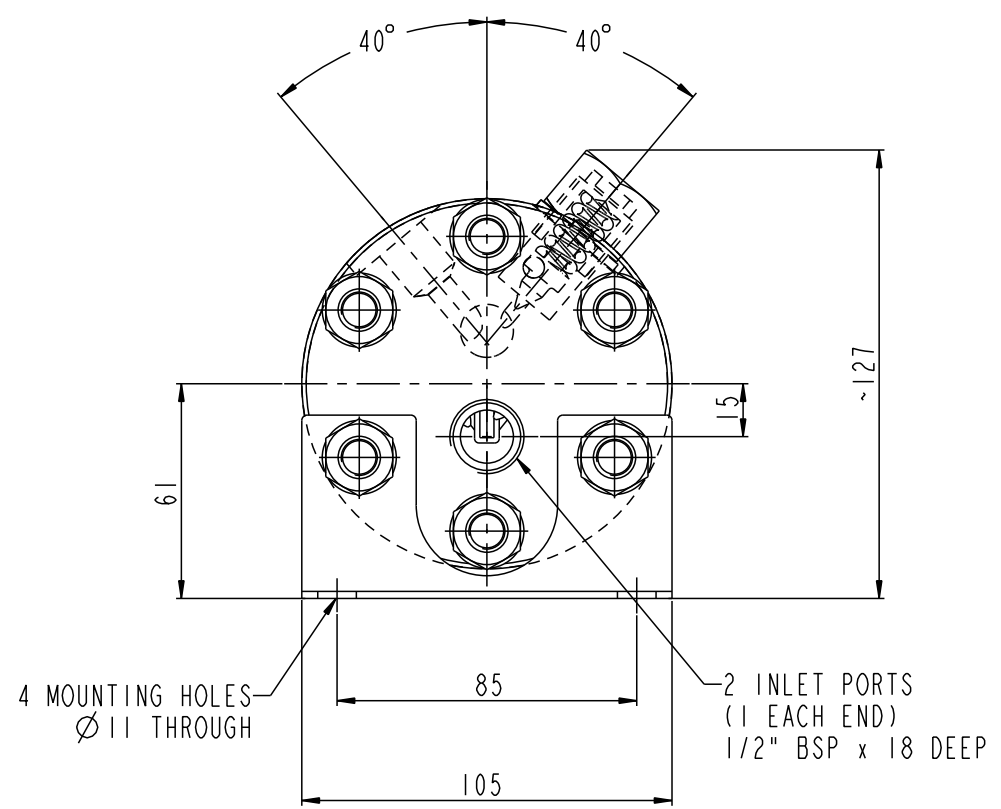


PROJ. 
 DOS/005 REFERS

DO NOT SCALE

CAD ORIGINAL DO NOT ALTER BY HAND

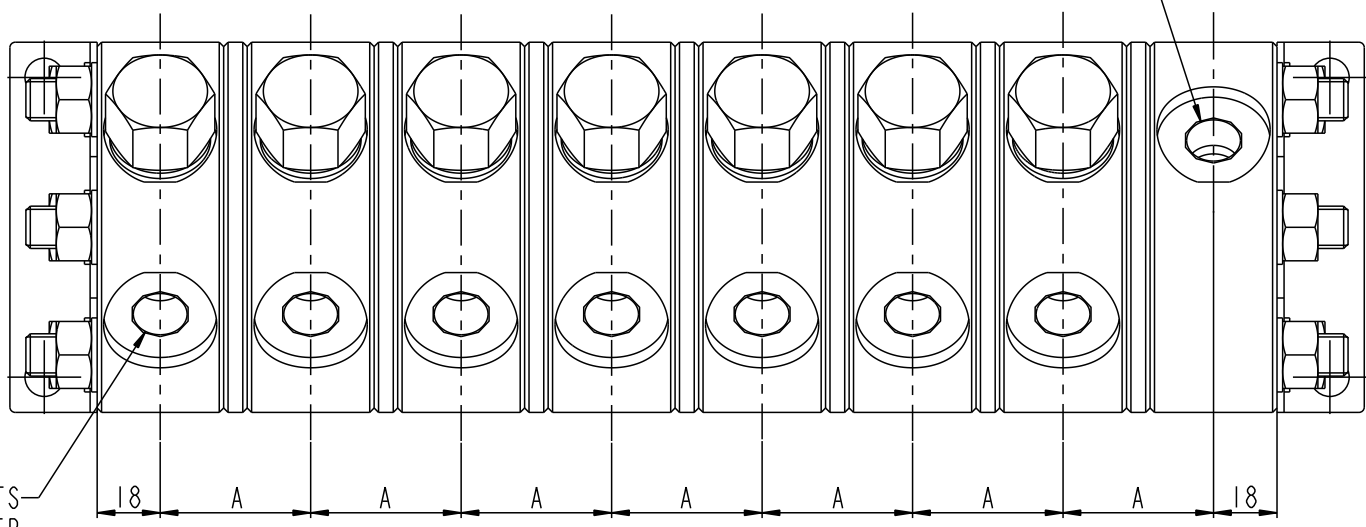


TYPE	DIM 'A'	DIM 'B'	DIM 'C'	FLOW RANGE
FDR 7/2	42.6	363.8	383.8	10-42 L/MIN
FDR 7/4	49.3	380.5	400.5	21-84 L/MIN
FDR 7/6	56	427.1	447.1	31-126 L/MIN
FDR 7/9	66	497.2	517.2	47-189 L/MIN

MOUNTING POSITION (DIM 'B') ±1.0
 DUE TO COMPONENT TOLERANCES

1 RELIEF VALVE DRAIN PORT
 3/8" BSP x 11 DEEP

7 OUTLET PORTS
 3/8" BSP x 11 DEEP



REV.		ZONE	ALTERATION	SIG. & DATE	CAT.	GEOMETRIC TOLERANCE SYMBOLS REF. B.S. 308 : PART 3 : 1990				MATERIAL	√=IDENTITY ZONE		TEXT	SCALE	DATE	SLACK & PARR LTD. KEGWORTH-DERBY-ENGLAND	
						STRAIGHTNESS	—	PARALLELISM	//	SYMMETRY	≡	SPEC.	DIMENSIONS IN MM & INCHES	SCALE 1:1	23-May-06	DR 'N. SGT	
						FLATNESS	▭	SQUARENESS	⊥	M.M.C.	⊕	TREATMENT	TOL. UNLESS STATED	CH'D.		PROJ./TYPE/SERIAL NO.	
						ROUNDNESS	○	ANGULARITY	∠	MACHINE	✓	HARDNESS	DIMENSIONAL ±	TITLE	FLOW DIVIDER ASSEMBLY-7 WAY		
						CYLINDRICITY	⊘	RUN OUT	↗	M/C OPTIONAL	✓	FINISH	SIM. TO	PLS			
						PROF. OF A LINE	⌒	POSITION	⊕	DO NOT M/C	✓	CLASS	© SLACK & PARR LTD. 2006 THE DESIGN AND INFORMATION CONTAINED IN THIS DRAWING IS STRICTLY CONFIDENTIAL AND IS THE EXCLUSIVE PROPERTY OF SLACK & PARR LIMITED AND MUST NOT BE USED, COPIED OR REPRODUCED IN PART OR WHOLE WITHOUT WRITTEN PERMISSION FROM SLACK & PARR LIMITED				
						PROF. OF A SURF.	⌒	CONCENTRICITY	⊙	TAPER	▽	PATT.	SHEET 1 OF 1	DRG. NO. HB830325	REVISION		