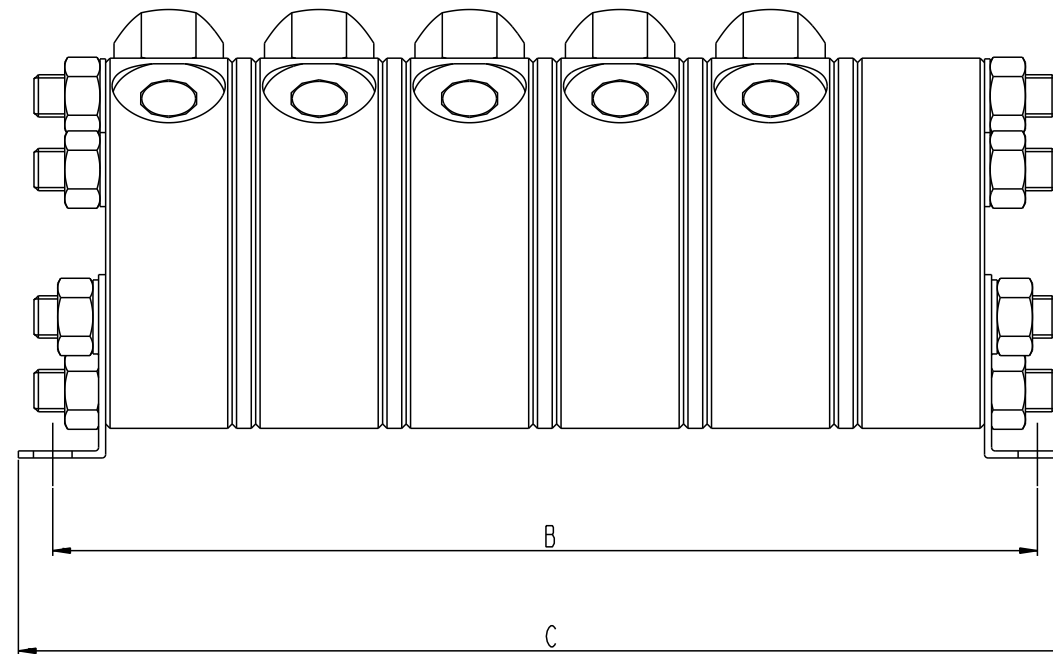
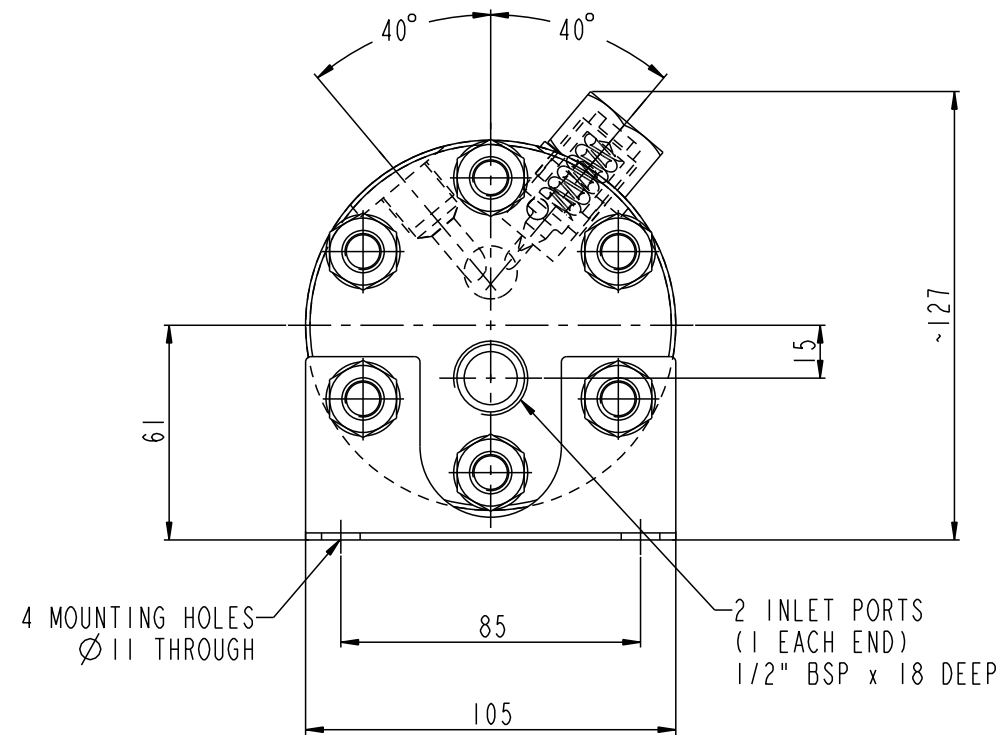


PROJ. 
DOS/005 REFERS

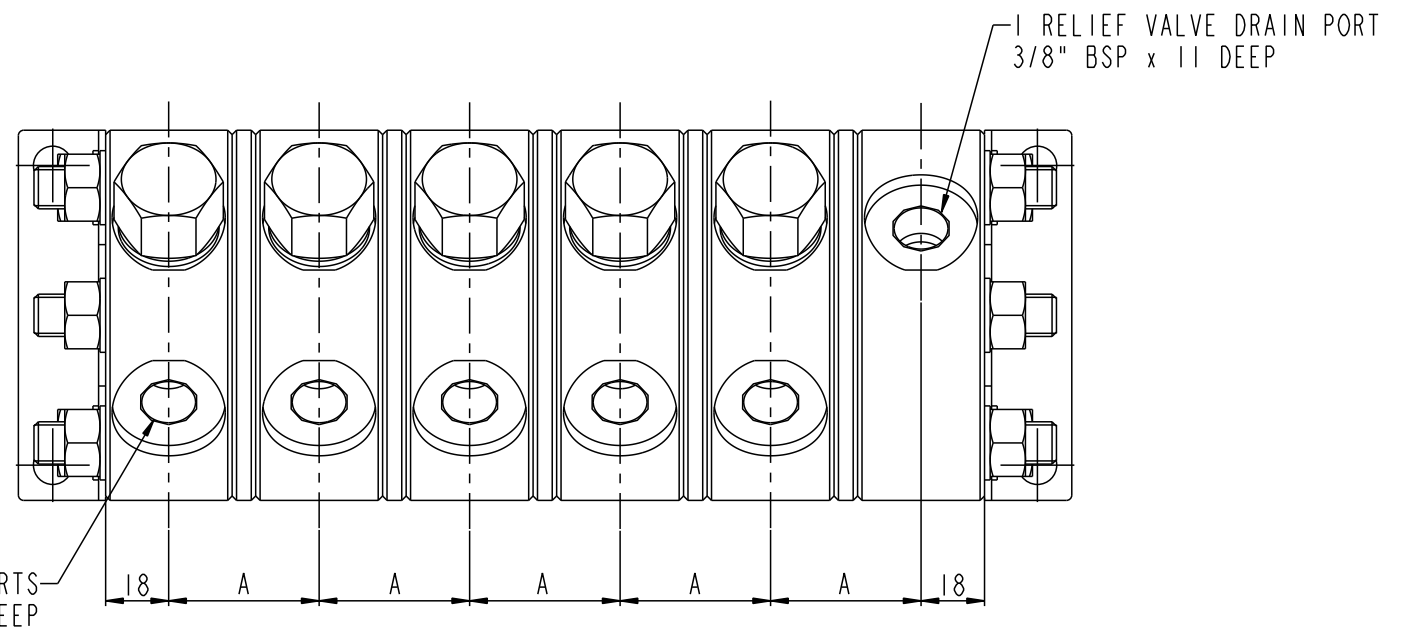
DO NOT SCALE

CAD ORIGINAL DO NOT ALTER BY HAND



TYPE	DIM 'A'	DIM 'B'	DIM 'C'	FLOW RANGE
FDR 5/2	42.6	278.7	298.7	7-30 L/MIN
FDR 5/4	49.3	312.0	332.0	15-60 L/MIN
FDR 5/6	55.9	345.3	365.3	22-90 L/MIN
FDR 5/9	65.9	395.4	415.4	34-135 L/MIN

MOUNTING POSITION (DIM 'B') ±0.75
DUE TO COMPONENT TOLERANCES



5 OUTLET PORTS
3/8" BSP x 11 DEEP

REV.	ZONE	ALTERATION	SIG. & DATE	CAT.	PROF. OF A SURF.	GEOMETRIC TOLERANCE SYMBOLS REF. B.S. 308 : PART 3 : 1990	MATERIAL	IDENTITY ZONE	TEXT	SCALE	DATE	DRG. NO.	REVISION
						STRAIGHTNESS — PARALLELISM // SYMMETRY ≡	SPEC.	√=	DIMENSIONS IN MM & INCHES	SCALE 1:1	DATE	SLACK & PARR LTD. KEGWORTH-DERBY-ENGLAND	
						FLATNESS ▭ SQUARENESS ⊥ M.M.C. ⊕	TREATMENT		SURF. TEXT IN ROUGHNESS NOS.	DR 'N. SGT	23-May-06		
						ROUNDNESS ○ ANGULARITY ∠ MACHINE ✓	HARDNESS		TOL. UNLESS STATED	CH'D.		PROJ./TYPE/SERIAL NO.	
						CYLINDRICITY ⌀ RUN OUT ↗ M/C OPTIONAL ✓	FINISH		DIMENSIONAL ±	TITLE		FLOW DIVIDER ASSEMBLY-5 WAY	
						PROF. OF A LINE ⌒ POSITION ⊕ DO NOT M/C ✓	CLASS		SIM. TO				
						PROF. OF A SURF. ⌒ CONCENTRICITY ⊙ TAPER ⚡	PATT.		SLACK & PARR LTD. 2006 THE DESIGN AND INFORMATION CONTAINED IN THIS DRAWING IS STRICTLY CONFIDENTIAL AND IS THE EXCLUSIVE PROPERTY OF SLACK & PARR LIMITED AND MUST NOT BE USED, COPIED OR REPRODUCED IN PART OR WHOLE WITHOUT WRITTEN PERMISSION FROM SLACK & PARR LIMITED	SHEET 1 OF 1		DRG. NO. HB830319	