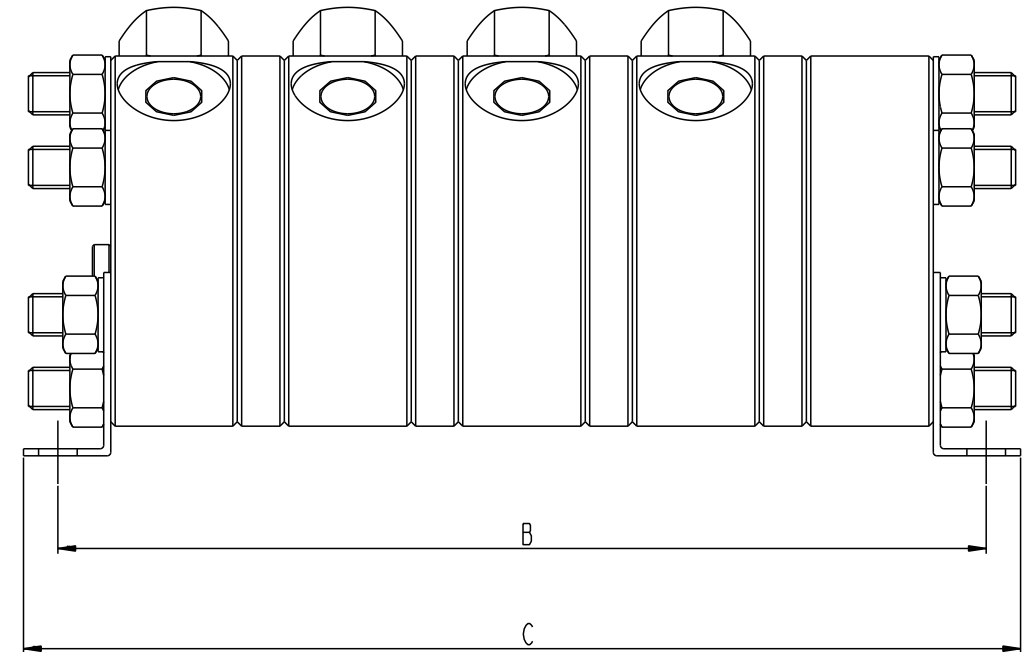
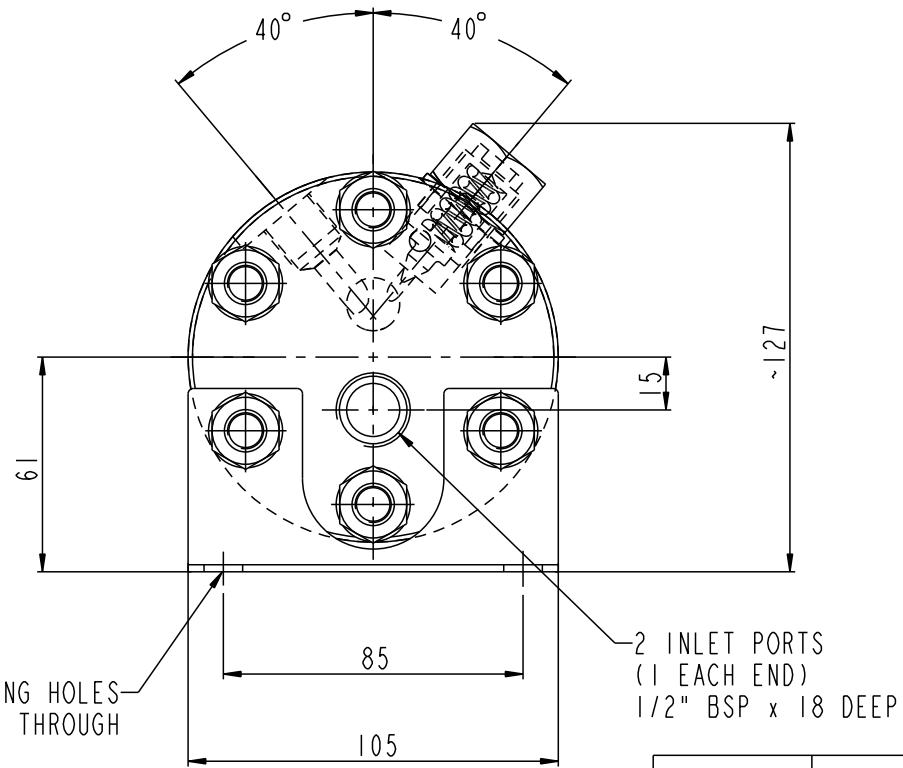


PROJ. 
 DOS/005 REFERS

DO NOT SCALE

CAD ORIGINAL DO NOT ALTER BY HAND



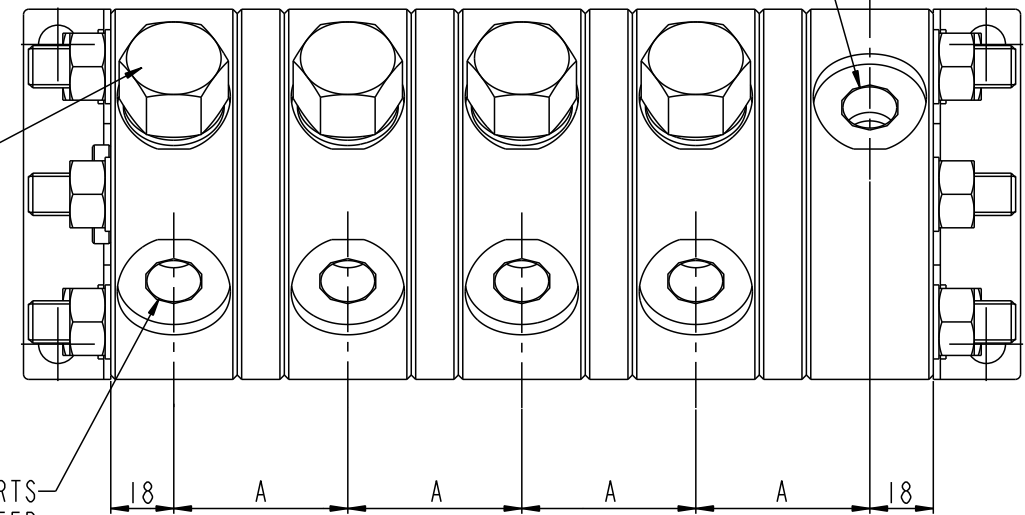
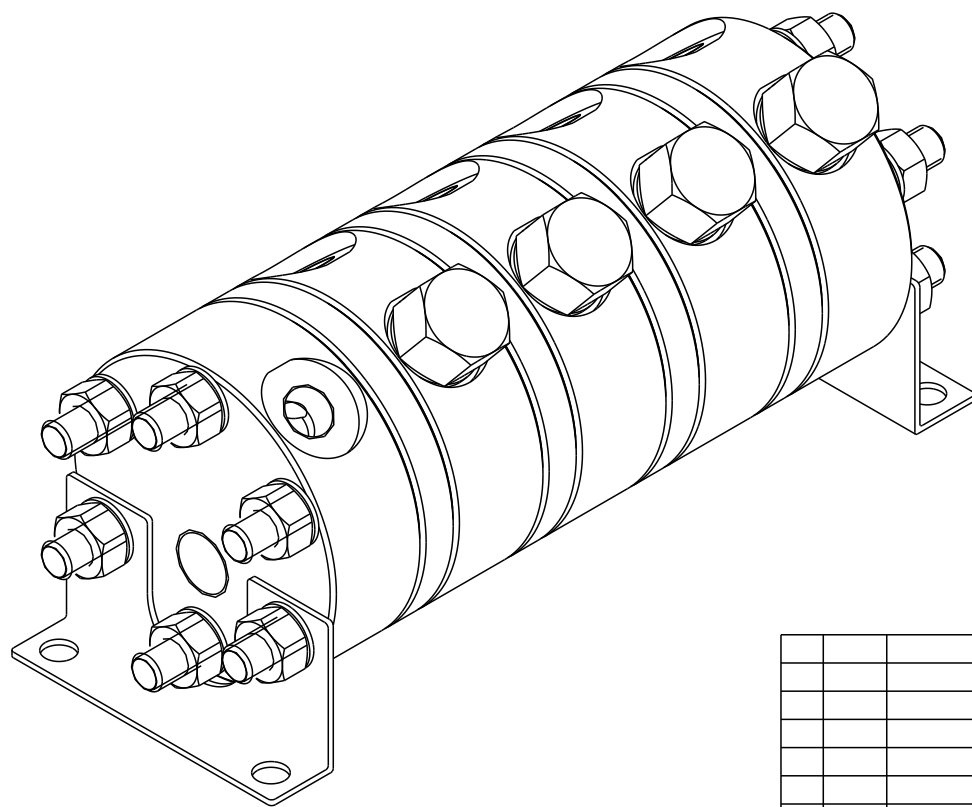
TYPE	DIM 'A'	DIM 'B'	DIM 'C'	FLOW RANGE
FDR 4/2	42.6	236.1	256.1	6-24 L/MIN
FDR 4/4	49.3	262.8	282.8	12-48 L/MIN
FDR 4/6	55.9	289.4	309.4	18-72 L/MIN
FDR 4/9	65.9	329.5	349.5	27-108 L/MIN

MOUNTING POSITION (DIM 'B') ± 0.6
 DUE TO COMPONENT TOLERANCES

1 RELIEF VALVE DRAIN PORT
 3/8" BSP x 11 DEEP

4 OFF INTEGRAL RELIEF VALVE

4 OUTLET PORTS
 3/8" BSP x 11 DEEP



REV.	ZONE	ALTERATION	SIG. & DATE	CAT.	PROF. OF A SURF.	GEOMETRIC TOLERANCE SYMBOLS REF. B.S. 308 : PART 3 : 1990	MATERIAL	DIMENSIONS IN MM & INCHES	SCALE 1:1	DATE	SLACK & PARR LTD. KEGWORTH-DERBY-ENGLAND	
						STRAIGHTNESS — PARALLELISM // SYMMETRY ≡	SPEC.	TOL. UNLESS STATED DIMENSIONAL \pm ANGULAR \pm	DR 'N. SGT	23-May-06	PROJ./TYPE/SERIAL NO.	
						FLATNESS \square SQUARENESS \perp M.M.C.	TREATMENT	SIM. TO			TITLE	
						ROUNDNESS \circ ANGULARITY \sphericalangle MACHINE	HARDNESS				FLOW DIVIDER ASSEMBLY-4 WAY	
						CYLINDRICITY M RUN OUT M/C OPTIONAL	FINISH				DRG. NO. HB830318	
						PROF. OF A LINE C POSITION D DO NOT M/C	CLASS	© SLACK & PARR LTD. 2006 THE DESIGN AND INFORMATION CONTAINED IN THIS DRAWING IS STRICTLY CONFIDENTIAL AND IS THE EXCLUSIVE PROPERTY OF SLACK & PARR LIMITED AND MUST NOT BE USED, COPIED OR REPRODUCED IN PART OR WHOLE WITHOUT WRITTEN PERMISSION FROM SLACK & PARR LIMITED			SHEET 1 OF 1	REVISION
						PROF. OF A SURF. D CONCENTRICITY C TAPER P	PATT.					