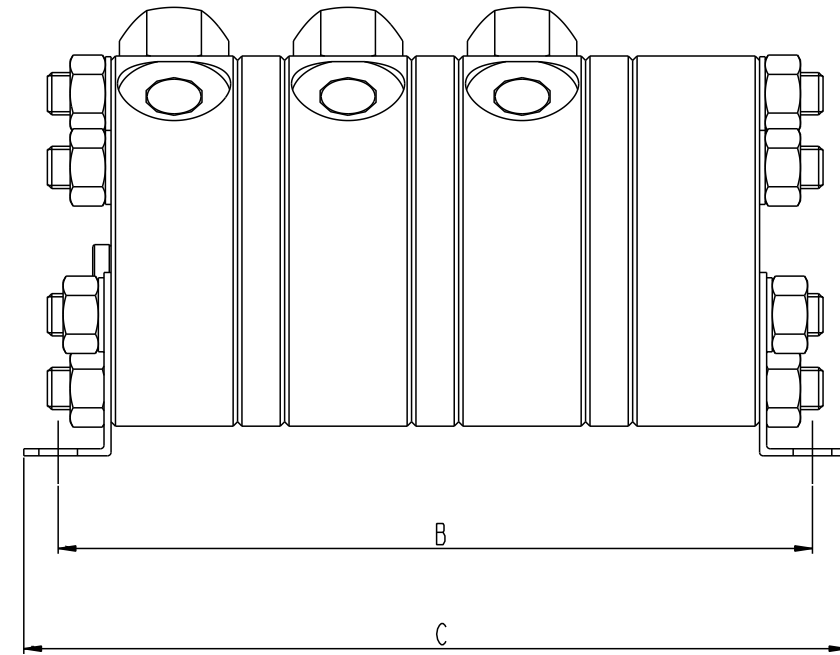
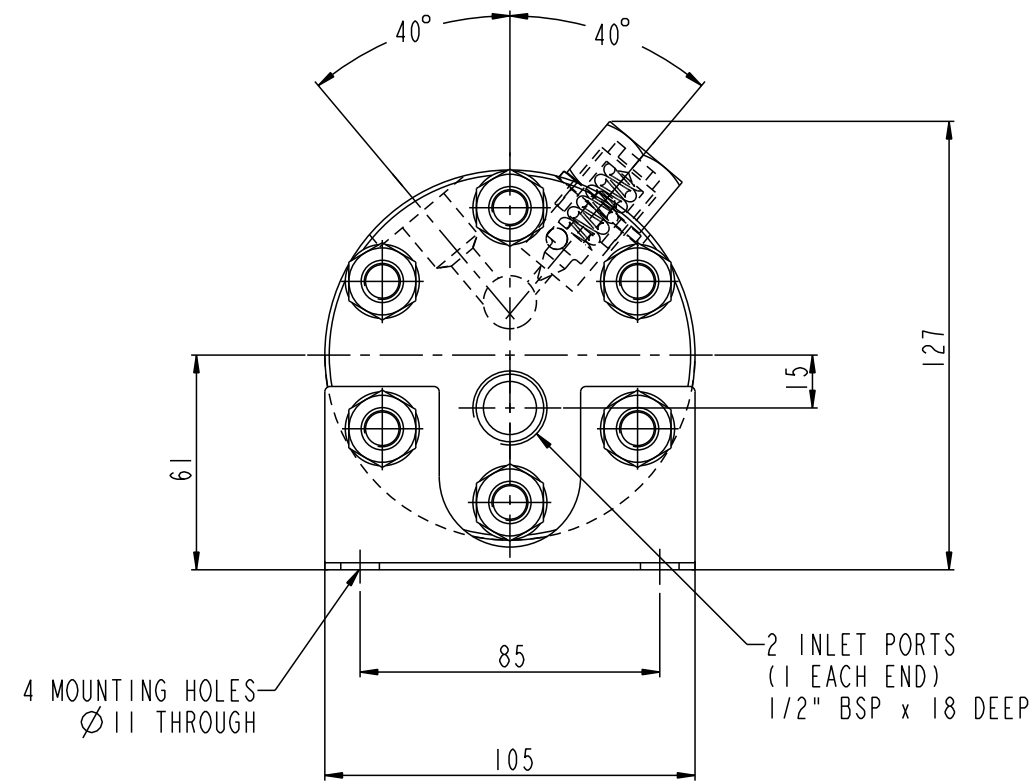


PROJ. 
 DOS/005 REFERS

DO NOT SCALE

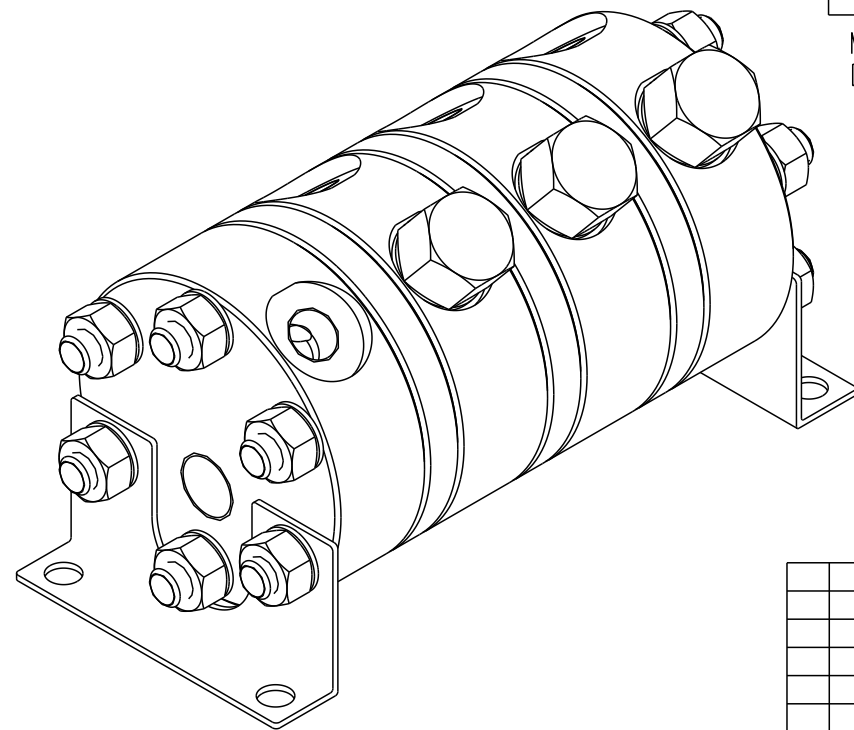
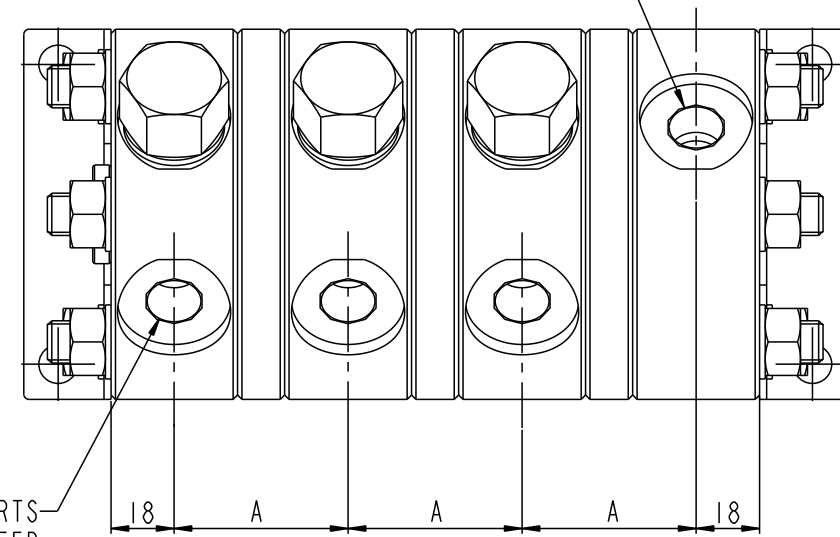
CAD ORIGINAL DO NOT ALTER BY HAND



TYPE	DIM 'A'	DIM 'B'	DIM 'C'	FLOW RANGE
FDR 3/2	42.6	193.5	213.5	4-18 L/MIN
FDR 3/4	49.3	213.6	233.6	9-36 L/MIN
FDR 3/6	55.9	233.5	253.5	13-54 L/MIN
FDR 3/9	65.9	263.6	283.6	20-81 L/MIN

MOUNTING POSITION (DIM 'B') ±0.5
 DUE TO COMPONENT TOLERANCES

1 RELIEF VALVE DRAIN PORT
 3/8" BSP x 11 DEEP



REV.		ZONE	ALTERATION	SIG. & DATE	CAT.	GEOMETRIC TOLERANCE SYMBOLS REF. B.S. 308 : PART 3 : 1990			MATERIAL	IDENTITY ZONE	TEXT	SCALE 1:1	DATE	SLACK & PARR LTD. KEGWORTH-DERBY-ENGLAND	
						STRAIGHTNESS	—	PARALLELISM	//	SYMMETRY	≡	SPEC.			
						FLATNESS	▭	SQUARENESS	⊥	M.M.C.	⊕	TREATMENT			
						ROUNDNESS	○	ANGULARITY	∠	MACHINE	⊖	HARDNESS			
						CYLINDRICITY	⊘	RUN OUT	↗	M/C OPTIONAL	✓	FINISH			
						PROF. OF A LINE	⌒	POSITION	⊕	DO NOT M/C	✓	CLASS			
						PROF. OF A SURF.	⌒	CONCENTRICITY	◎	TAPER	▽	PATT.			
										√=IDENTITY ZONE					
										DIMENSIONS IN MM & INCHES	SCALE 1:1	DATE			
										SURF. TEXT IN ROUGHNESS NOS.	DR 'N. SGT	23-May-06			
										TOL. UNLESS STATED	CH'D.		PROJ./TYPE/SERIAL NO.		
										DIMENSIONAL ±	TITLE				
										ANGULAR ±	FLOW DIVIDER ASSEMBLY-3 WAY				
										SIM. TO	PLS				
										© SLACK & PARR LTD. 2006 THE DESIGN AND INFORMATION CONTAINED IN THIS DRAWING IS STRICTLY CONFIDENTIAL AND IS THE EXCLUSIVE PROPERTY OF SLACK & PARR LIMITED AND MUST NOT BE USED, COPIED OR REPRODUCED IN PART OR WHOLE WITHOUT WRITTEN PERMISSION FROM SLACK & PARR LIMITED					
										SHEET 1 OF 1	DRG. NO. HB830317	REVISION			