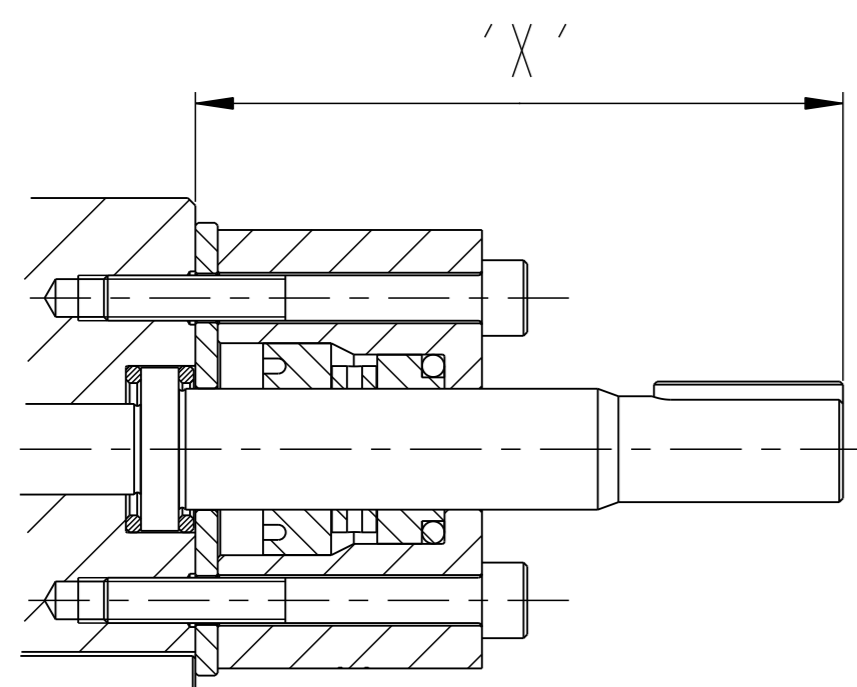


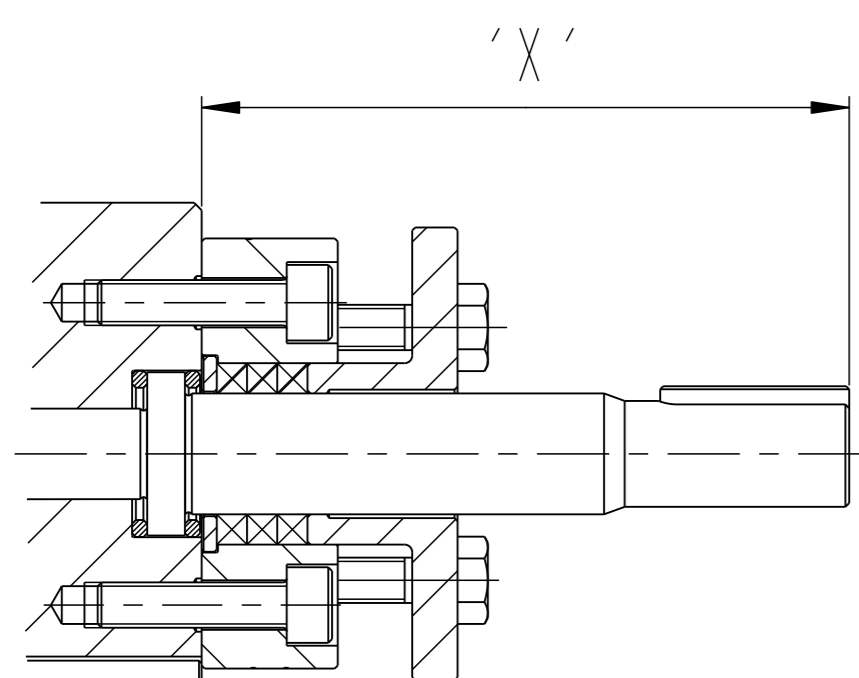
PROJ. DOS/005 REFERS

CAD ORIGINAL DO NOT ALTER BY HAND

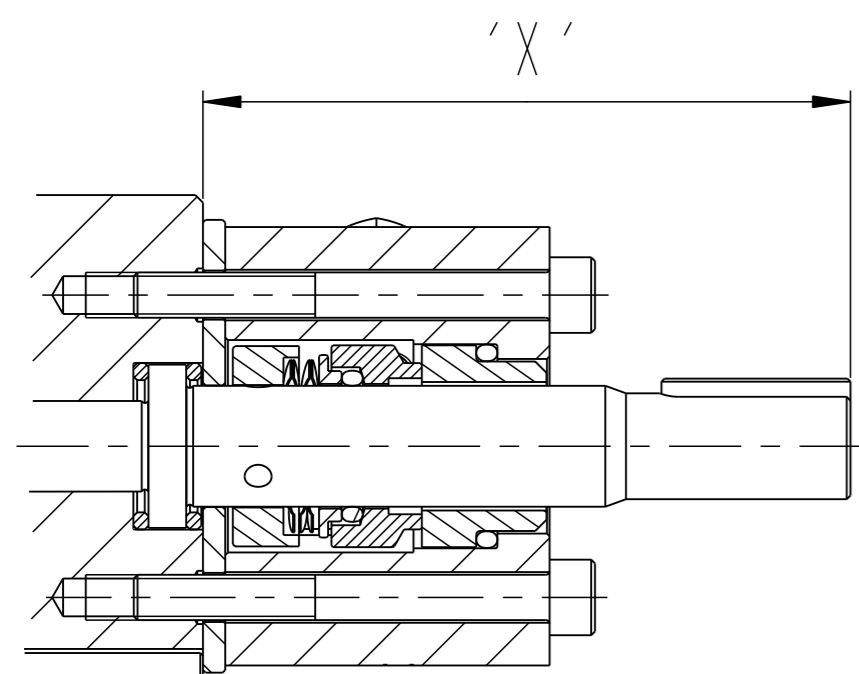
DOUBLE LIP SEAL (SPi-D)



GLAND PACKING (SPi-G)

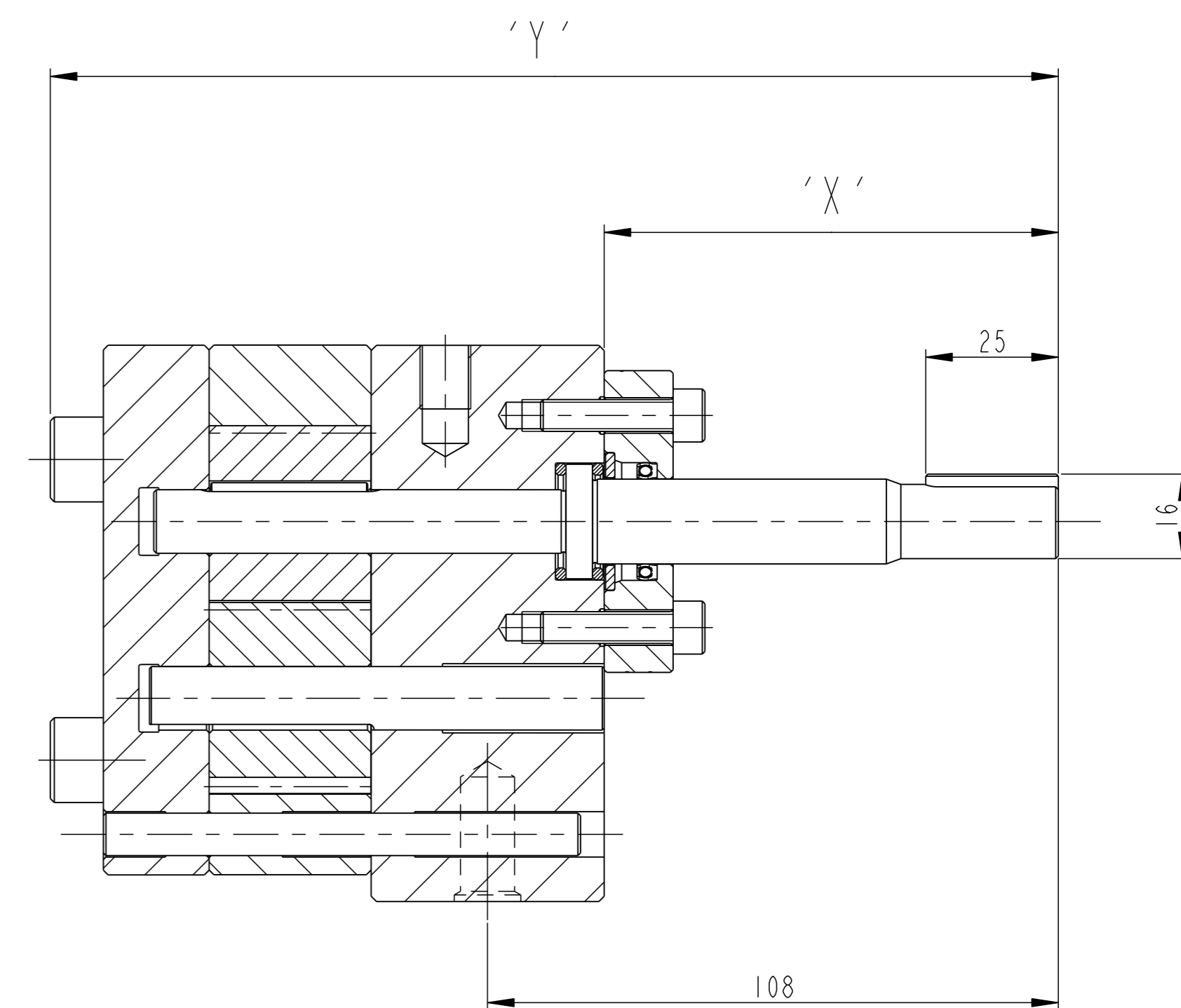
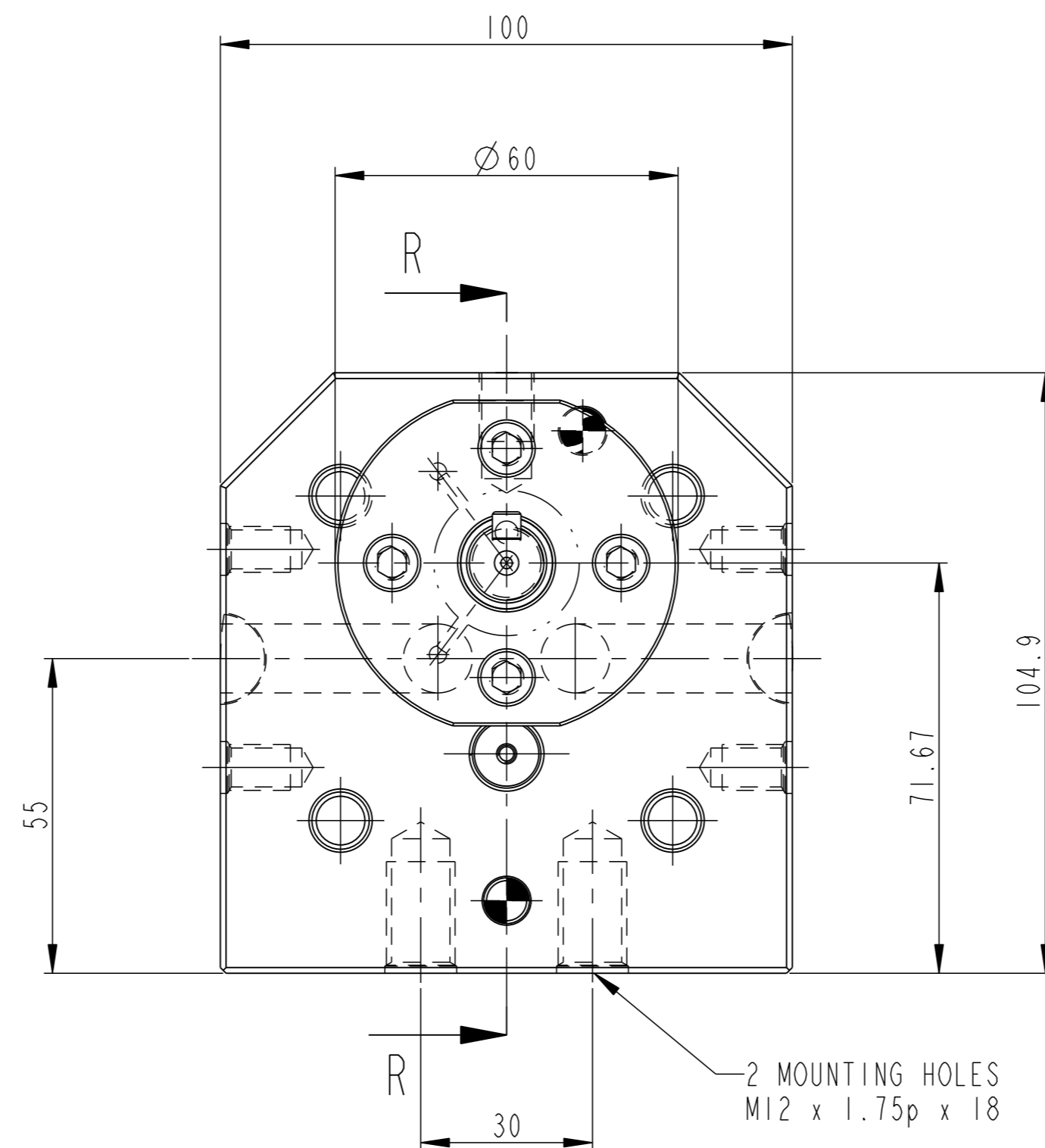


MECHANICAL SEAL (SPi-M)



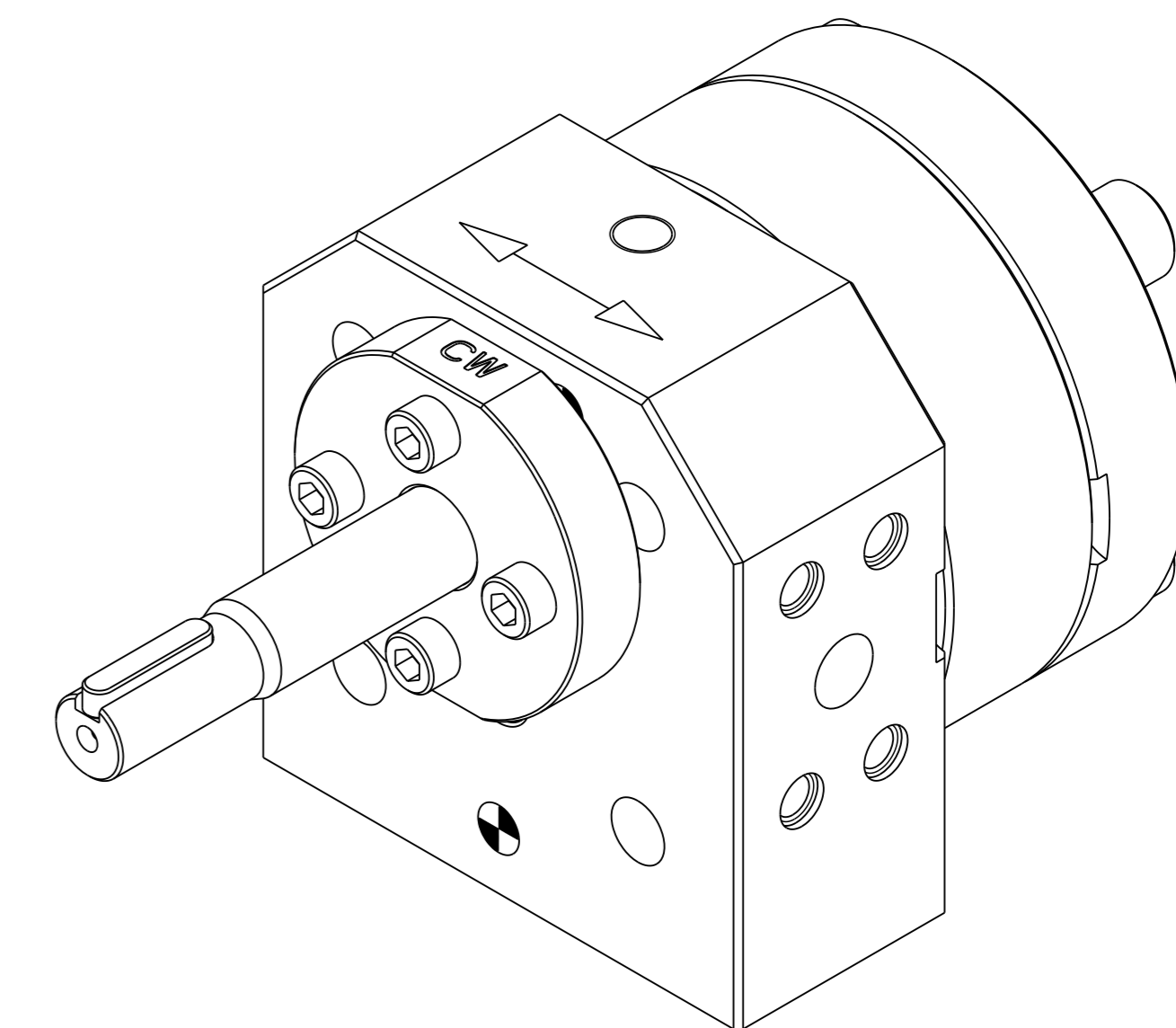
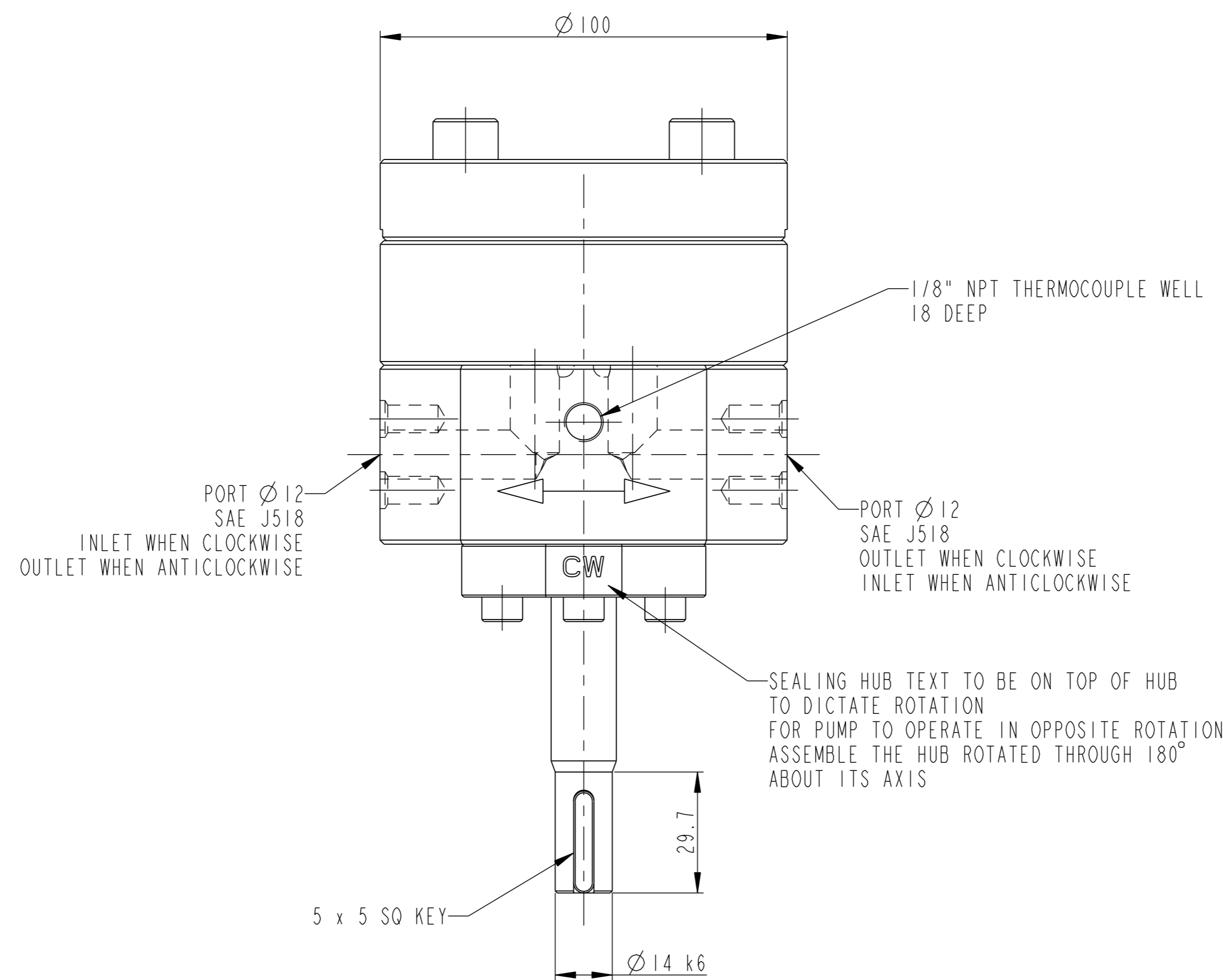
DO NOT SCALE

LIP SEAL (SPi)



SECTION R-R

ALTERNATE SEALING OPTIONS



ROTATION: DUAL		DIM'S INCLUDE SPi-D, G & M	
TYPE	CAP / REV	DIMENSION 'X'	DIMENSION 'Y'
SPi4.5	4.5cc	86.0	176.0
SPi9	9.0cc	86.0	190.5

GEOMETRIC TOLERANCE SYMBOLS REF. B.S. 308 : PART 3 : 1990				MATERIAL		IDENTITY ZONE		TEXT				
STRAIGHTNESS	—	PARALLELISM	//	SYMMETRY	≡	SPEC.	SCALE 1:1	DATE	SLACK & PARR LTD.			
FLATNESS	▭	SQUARENESS	⊥	M.M.C.	⊕	TREATMENT	DR 'N. CS	09-Sep-15	KEGWORTH-DERBY-ENGLAND			
ROUNDNESS	○	ANGULARITY	∠	MACHINE	✓	HARDNESS	CH'D. AJF	23-Sep-15	PROJ./TYPE/SERIAL NO.			
CYLINDRICITY	⊘	RUN OUT	↗	M/C OPTIONAL	✓	FINISH	TITLE		ARR & INST OF SPi PUMP			
PROF. OF A LINE	⌒	POSITION	⊕	DO NOT M/C	✓	CLASS	© SLACK & PARR LTD. 2015 THE DESIGN AND INFORMATION CONTAINED IN THIS DRAWING IS STRICTLY CONFIDENTIAL AND IS THE EXCLUSIVE PROPERTY OF SLACK & PARR LIMITED AND MUST NOT BE USED, COPIED OR REPRODUCED IN PART OR WHOLE WITHOUT WRITTEN PERMISSION FROM SLACK & PARR LIMITED					
REV.	ZONE	ALTERATION	SIG. & DATE	CAT.	PROF. OF A SURF.	CONCENTRICITY	⊙	TAPER	PATT.	SHEET 1 OF 1	DRG. NO. B112066	REVISION