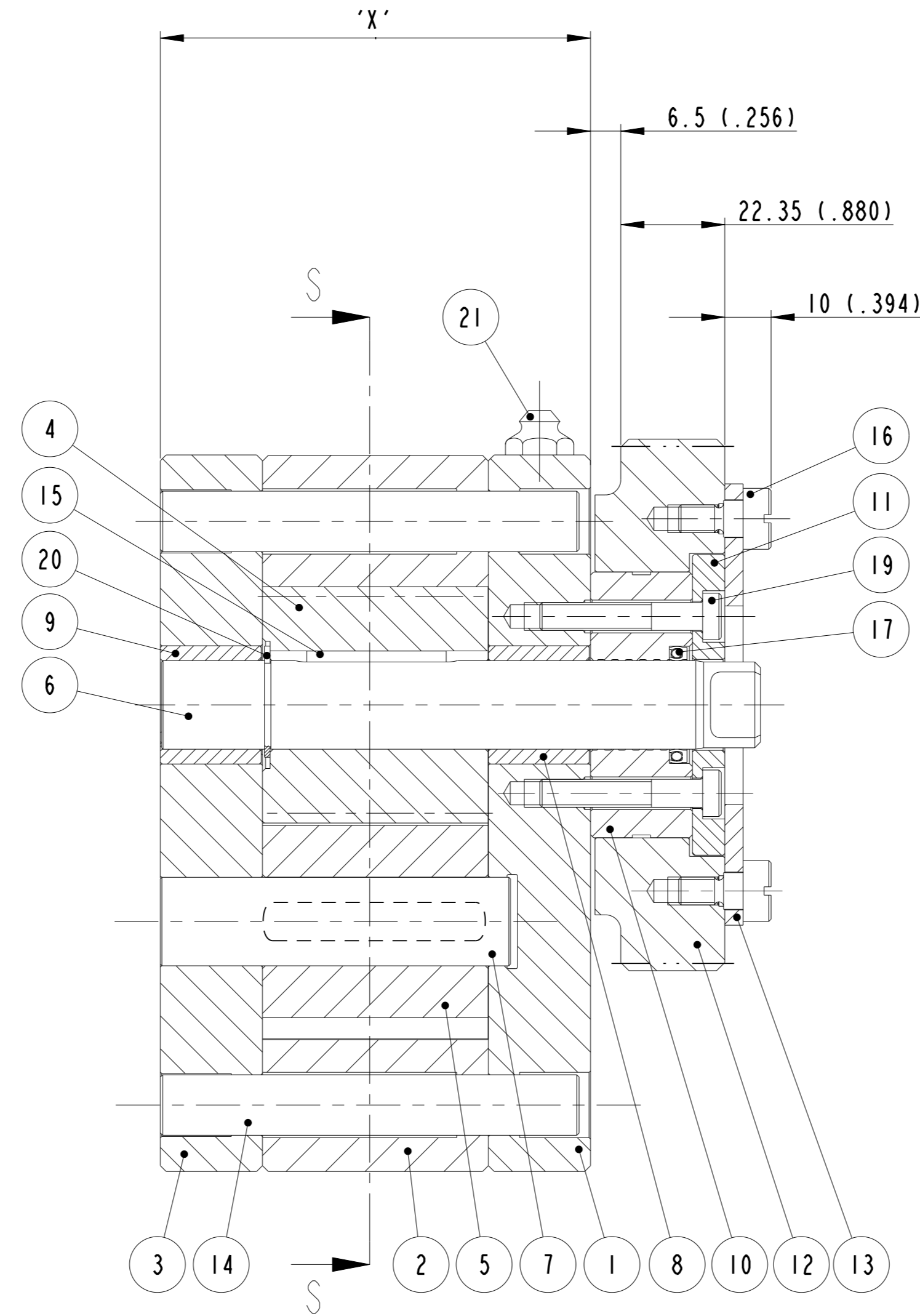
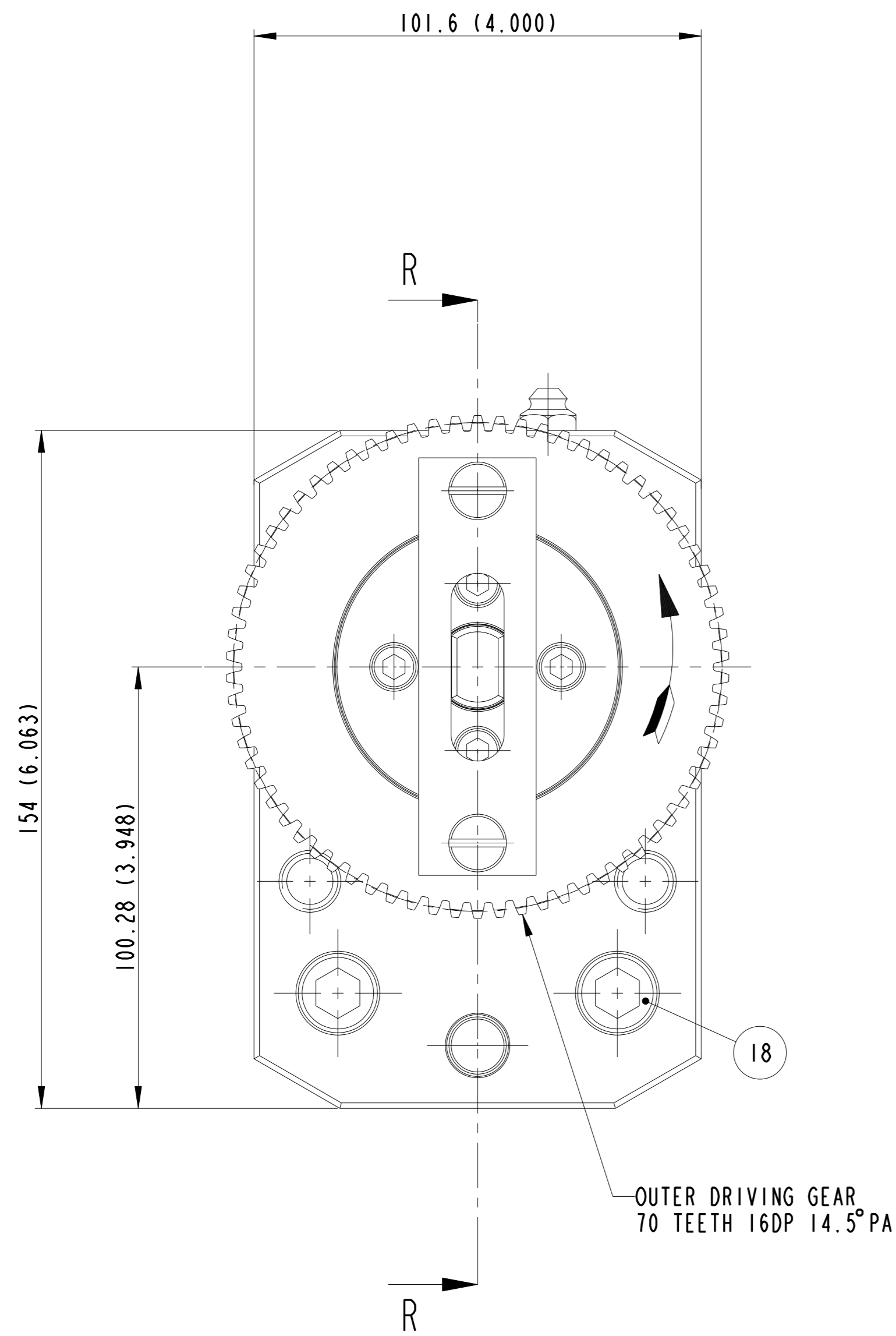


PROJ.

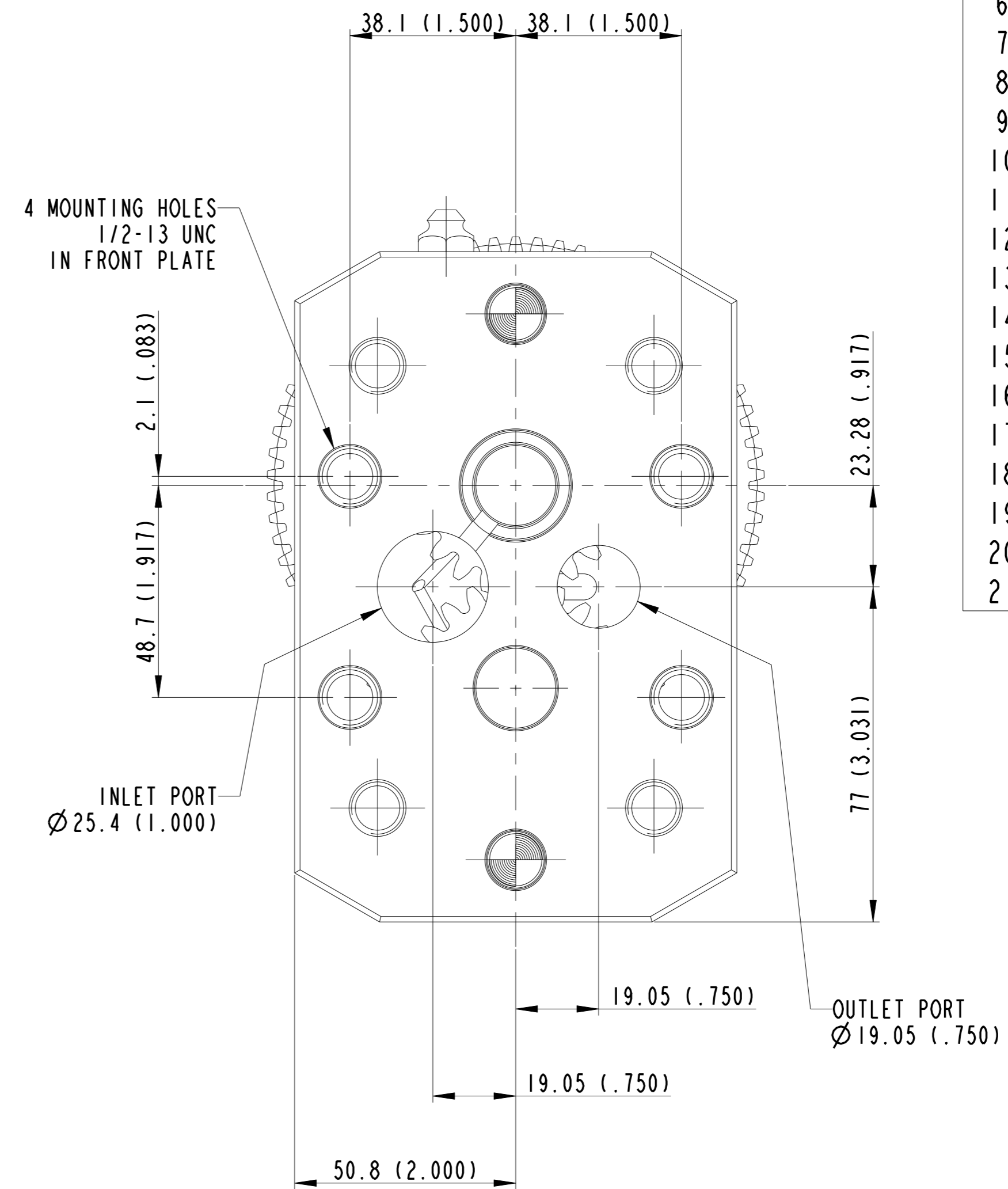
DOS/005 REFERS

DO NOT SCALE

CAD ORIGINAL DO NOT ALTER BY HAND



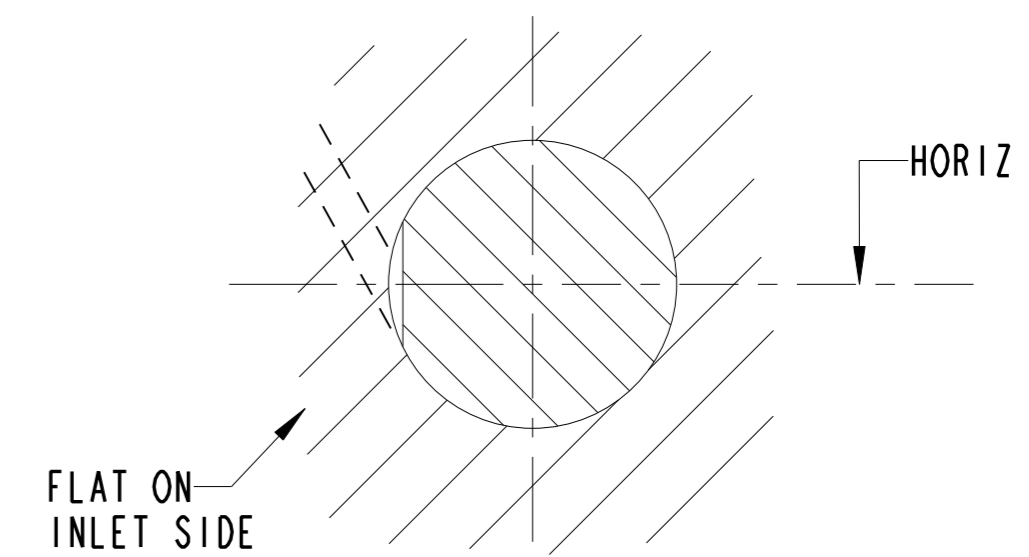
SECTION R-R



ITEM	DESCRIPTION	QTY
1	FRONT PLATE	1
2	GEAR PLATE	1
3	BACK PLATE	1
4	DRIVING GEAR	1
5	IDLER GEAR	1
6	DRIVING SPINDLE	1
7	IDLER SPINDLE	1
8	BUSH F.P.	1
9	BUSH B.P.	1
10	DRIVING GEAR HUB	1
11	RETAINER PLATE	1
12	OUTER DRIVING GEAR	1
13	DRIVING PLATE	1
14	DOWEL	2
15	KEY	1
16	SHOULDER SCREW	2
17	OILSEAL	1
18	CAPSCREW	4
19	CAPSCREW	4
20	CIRCLIP	1
21	GREASE NIPPLE	1

ROTATION : ANTICLOCKWISE

TYPE	CAP / REV	DIM 'X'
SPC30	30cc	92.6 (3.646)
SPC50	50cc	124.9 (4.917)
SPC100	100cc	125.2 (4.929)



SECTION S-S  
SCALE 2:1  
VIEW TO SHOW ORIENTATION  
OF FLAT ON IDLER SPINDLE

GEOMETRIC TOLERANCE SYMBOLS REF. B.S. 308 : PART 3 : 1990				MATERIAL		DIMENSIONS IN MM & INCHES		TEXT						
STRAIGHTNESS	—	PARALLELISM	//	SYMMETRY	≡	SPEC.	SURF. TEXT IN ROUGHNESS NOS.	SCALE 1:1	DATE	SLACK & PARR LTD. KEGWORTH-DERBY-ENGLAND				
FLATNESS	▭	SQUARENESS	⊥	M.M.C.	⊗	TREATMENT	TOLERANCE UNLESS STATED	DR'N. <i>DLB</i>	12-Feb-13					
ROUNDNESS	○	ANGULARITY	∠	MACHINE	✓	HARDNESS	DIMENSIONAL ±	CH'D. <i>AJF</i>	28-Feb-13	PROJ./TYPE/SERIAL NO.				
CYLINDRICITY	∅	RUN OUT	↗	M/C OPTIONAL	✓	FINISH	ANGULAR ±	TITLE						
PROF. OF A LINE	⌒	POSITION	⊕	DO NOT M/C	✓	CLASS	THREAD TOLERANCE CLASS 6H/6g	ARR & INST OF SPC RANGE						
REV.	ZONE	ALTERATION	SIG. & DATE	CAT.	PROF. OF A SURF.	CONCENTRICITY	◎	TAPER	▽	PATT.	© SLACK & PARR LTD. 2013 THE DESIGN AND INFORMATION CONTAINED IN THIS DRAWING IS STRICTLY CONFIDENTIAL AND IS THE EXCLUSIVE PROPERTY OF SLACK & PARR LIMITED AND MUST NOT BE USED, COPIED OR REPRODUCED IN PART OR WHOLE WITHOUT WRITTEN PERMISSION FROM SLACK & PARR LIMITED	SHEET 1 OF 1	DRG. NO. B109535	REVISION