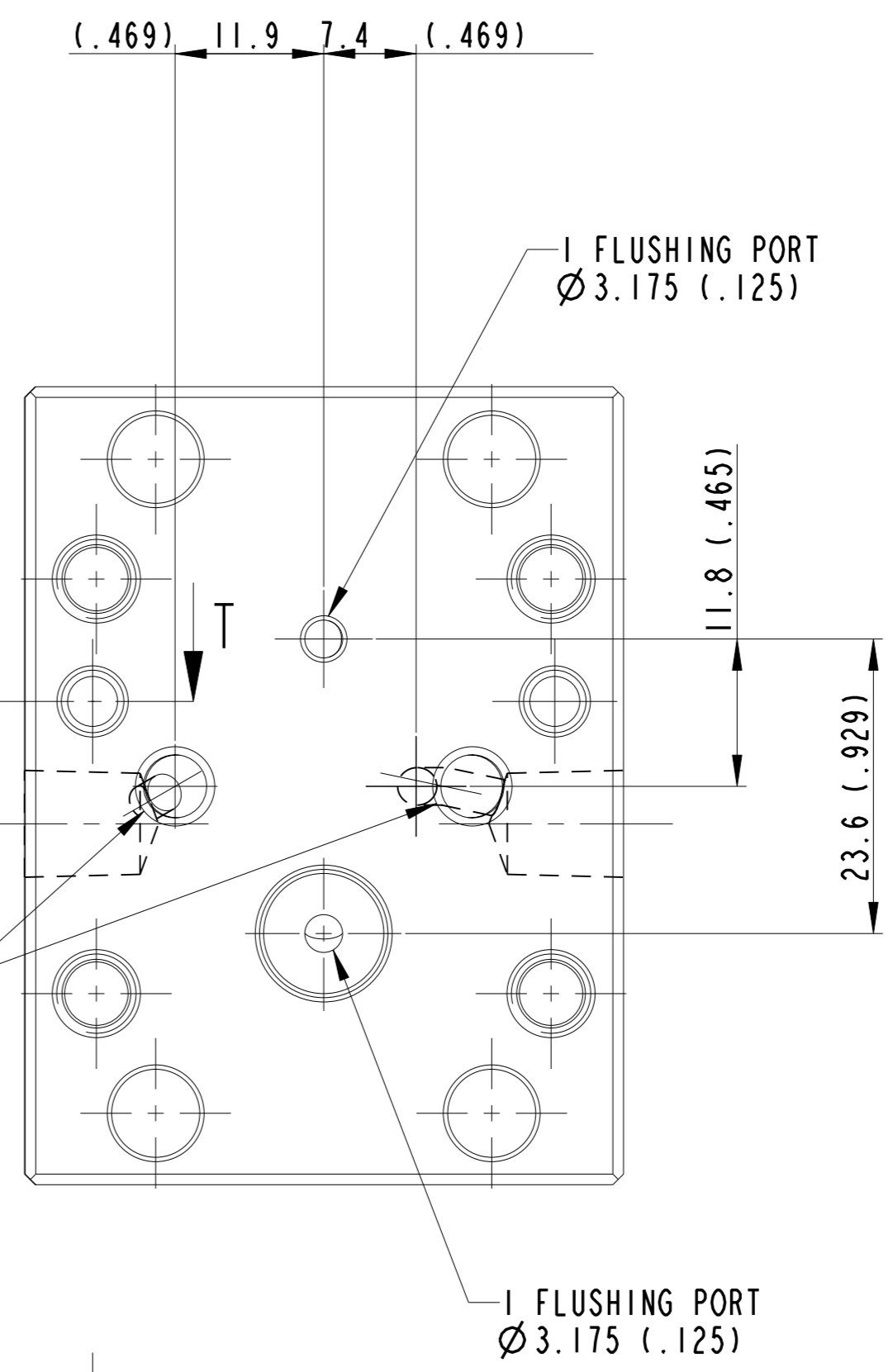
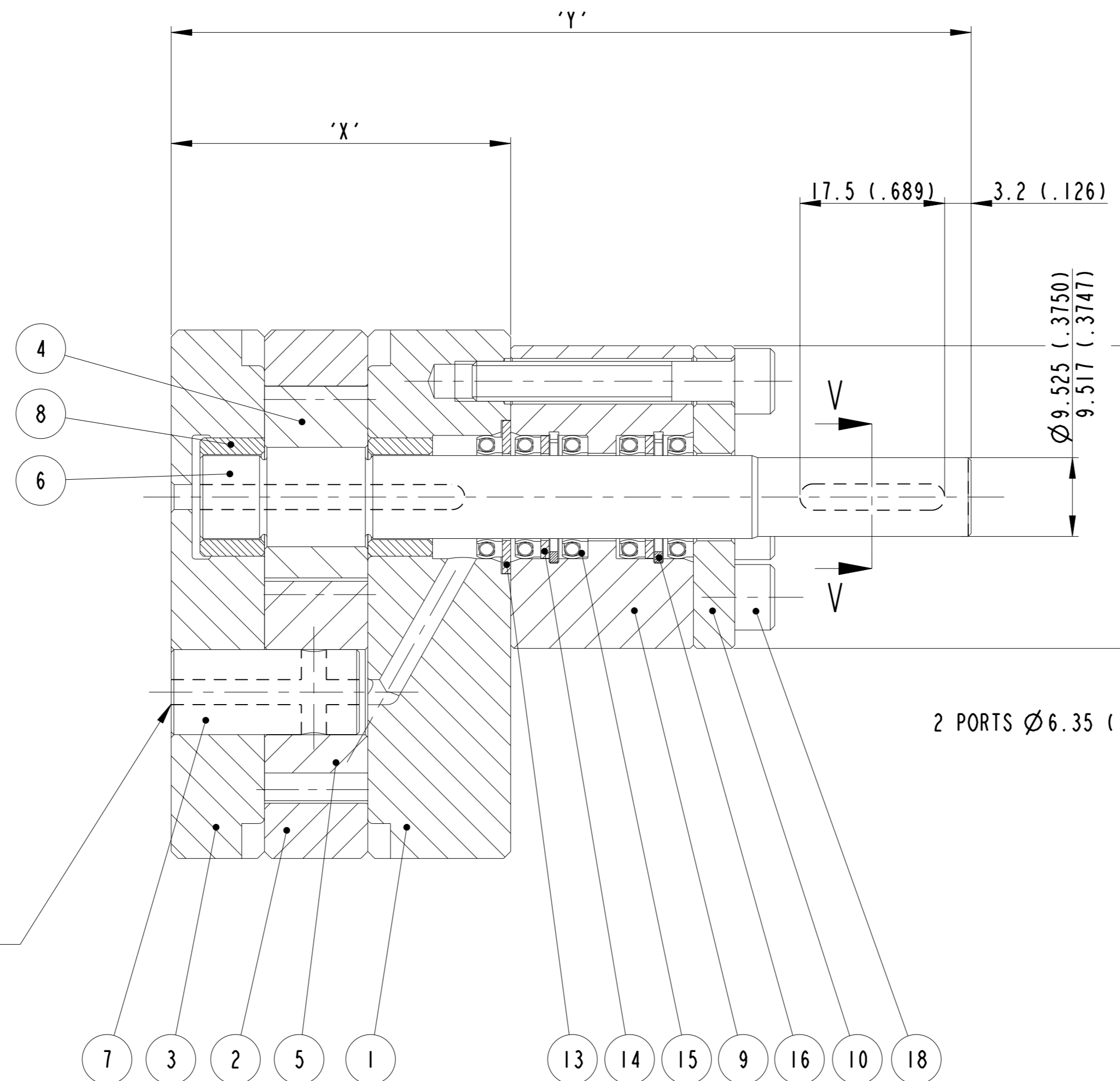
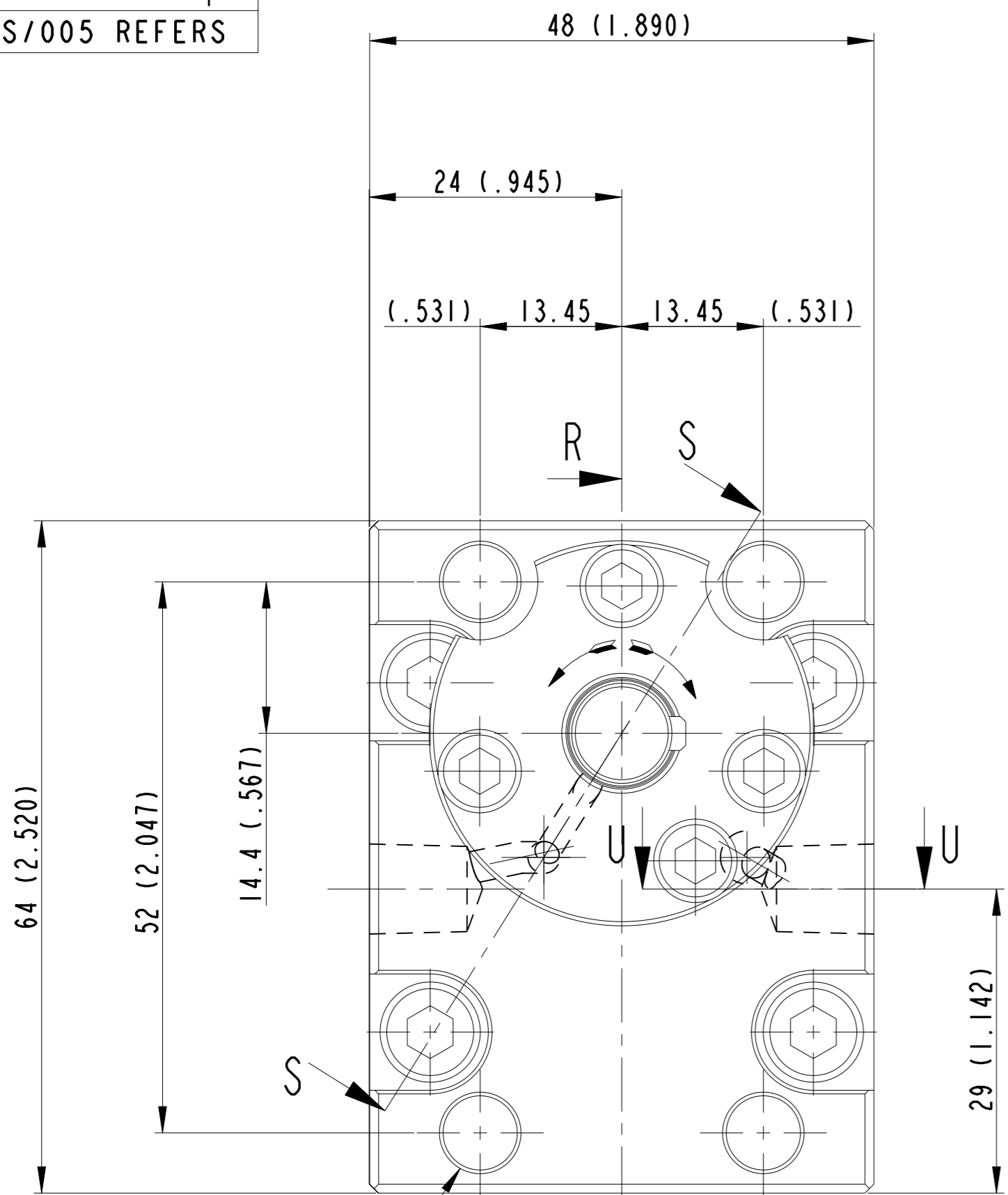


PROJ. DOS/005 REFERS

DO NOT SCALE

CAD ORIGINAL DO NOT ALTER BY HAND

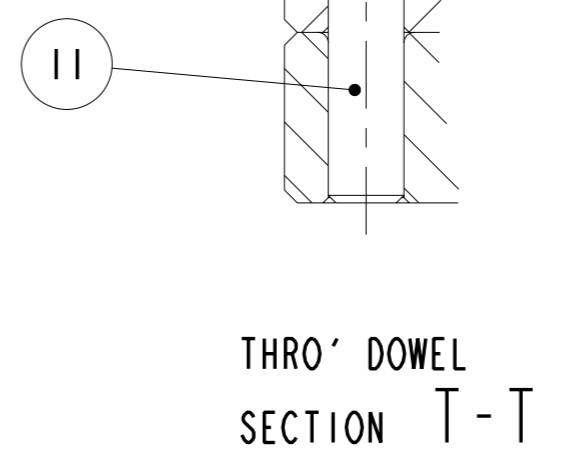
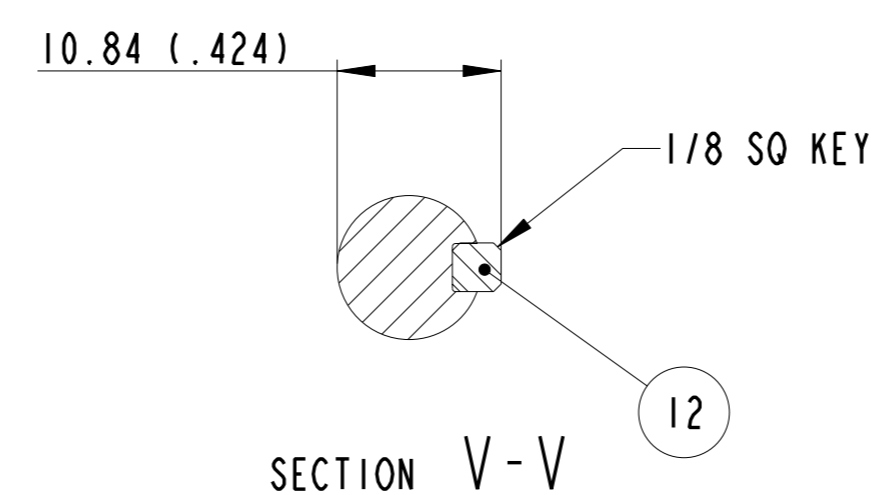


ITEM	DESCRIPTION	QTY
1	FRONT PLATE	1
2	GEAR PLATE	1
3	BACK PLATE	1
4	DRIVING GEAR	1
5	IDLER GEAR	1
6	DRIVING SPINDLE	1
7	IDLER SPINDLE	1
8	BUSH F.P./B.P.	2
9	SEALING HUB	1
10	RETAINER PLATE	1
11	DOWEL	2
12	KEY	1
13	SPACING WASHER	1
14	SPACING WASHER	2
15	OILSEAL	5
16	CIRCLIP	2
17	CAPSCREW	4
18	CAPSCREW	4
19	PLUG	2

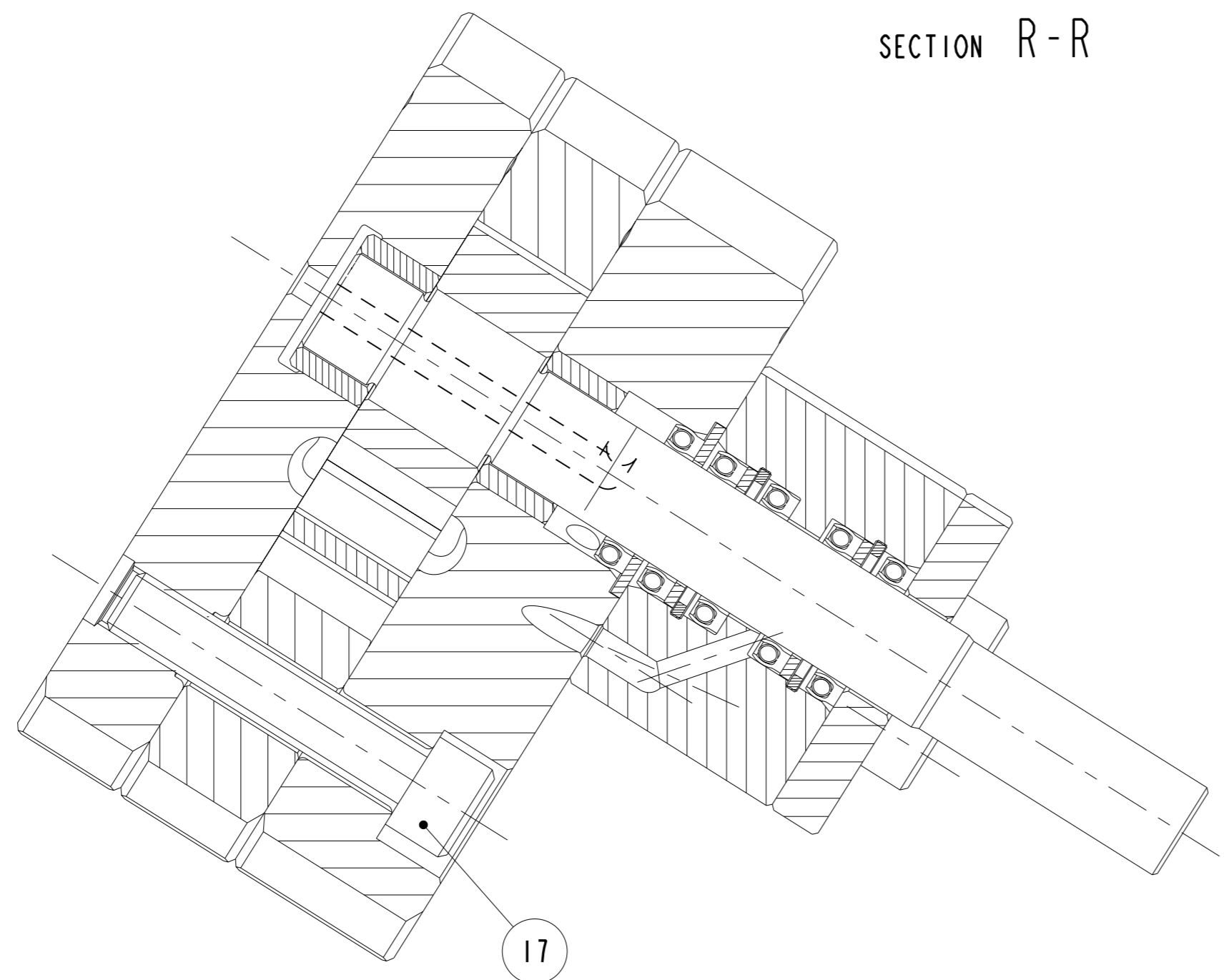
NOTE:
FIT IDLER SPINDLE FLUSH
WITH THE BACK OF THE PUMP

4 MOUNTING HOLES
Ø7 (.276)

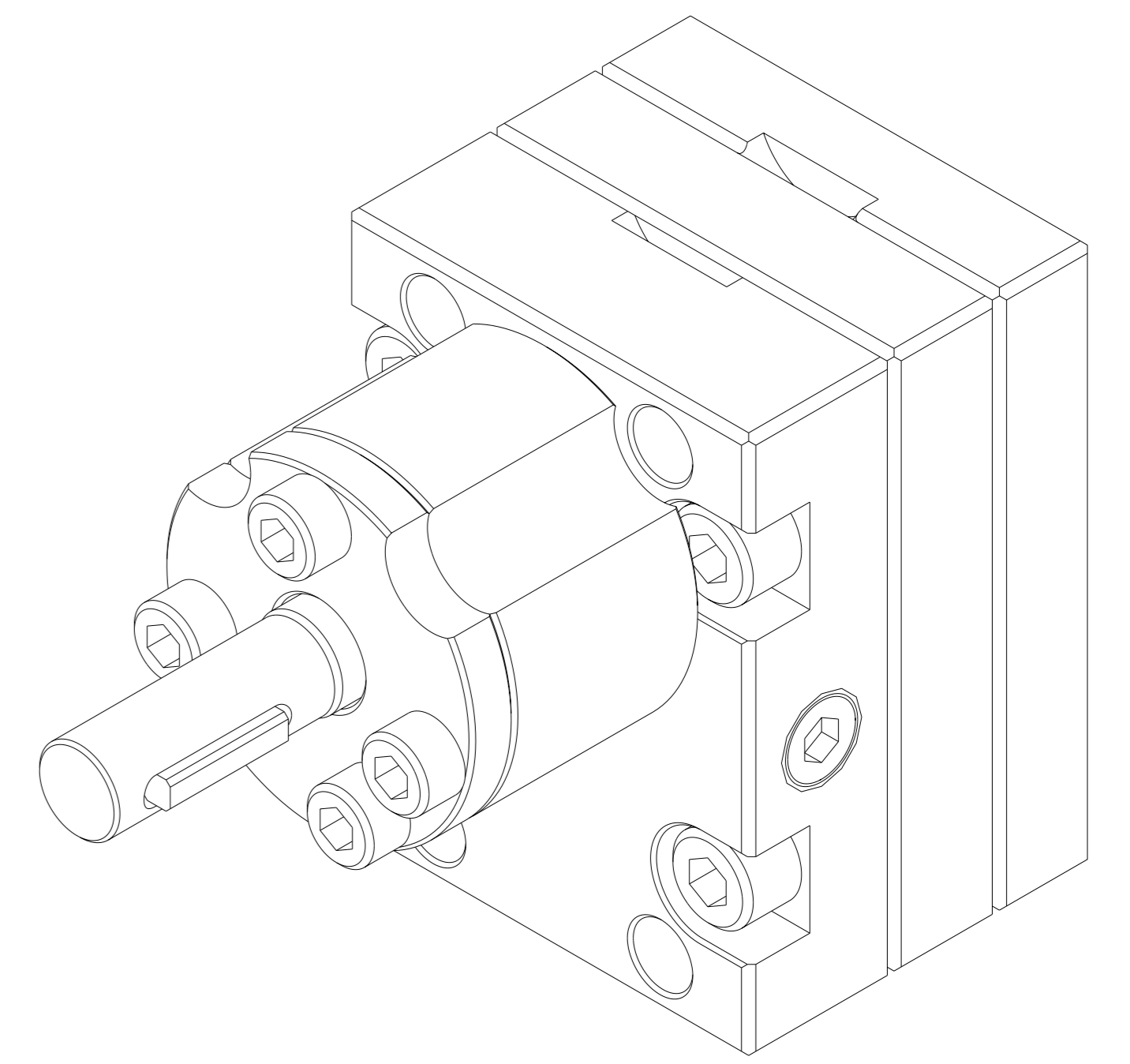
SECTION R-R



SECTION THRU' PORT PLUG
SECTION U-U
1/8 NPT FLUSHING PORTS
TO PACKING / SHAFT SEAL



SECTION S-S



TYPE	CAP / REV	DIMENSION 'X'	DIMENSION 'Y'
SP1658	3cc	41.0 (1.614)	97.0 (3.819)
	4cc	45.2 (1.780)	101.2 (3.984)
	5cc	49.4 (1.945)	105.4 (4.150)

REV.	ZONE	ALTERATION	SIG. & DATE	CAT.	PROF. OF A SURF.	GEOMETRIC TOLERANCE SYMBOLS REF. B.S. 308 : PART 3 : 1990	MATERIAL
						STRAIGHTNESS — PARALLELISM // SYMMETRY ≡ SPEC.	
						FLATNESS ▭ SQUARENESS ⊥ M.M.C. ⊕ TREATMENT	
						ROUNDNESS ○ ANGULARITY ≤ MACHINE ✓ HARDNESS	
						CYLINDRICITY ⌀ RUN OUT ↗ M/C OPTIONAL ✓ FINISH	
						PROF. OF A LINE ⌒ POSITION ⊕ DO NOT M/C ✓ CLASS	
						PROF. OF A SURF. ⌒ CONCENTRICITY ⊙ TAPER ▽ PATT.	

√=IDENTITY ZONE

TEXT	SCALE 2:1	DATE	SLACK & PARR LTD. KEGWORTH-DERBY-ENGLAND
DR 'N. RCW		30-JUL-08	
CH'D. SGT		23-Sept-08	PROJ./TYPE/SERIAL NO.
TITLE ARR & INST OF PAINT PUMP			
© SLACK & PARR LTD. 2008 THE DESIGN AND INFORMATION CONTAINED IN THIS DRAWING IS STRICTLY CONFIDENTIAL AND IS THE EXCLUSIVE PROPERTY OF SLACK & PARR LIMITED AND MUST NOT BE USED, COPIED OR REPRODUCED IN PART OR WHOLE WITHOUT WRITTEN PERMISSION FROM SLACK & PARR LIMITED			SHEET 1 OF 1
DRG. NO. B105897			REVISION