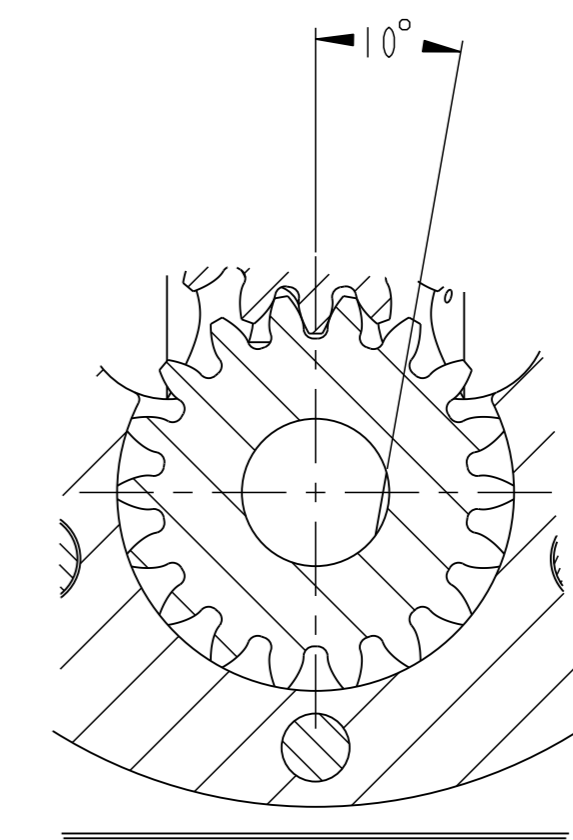
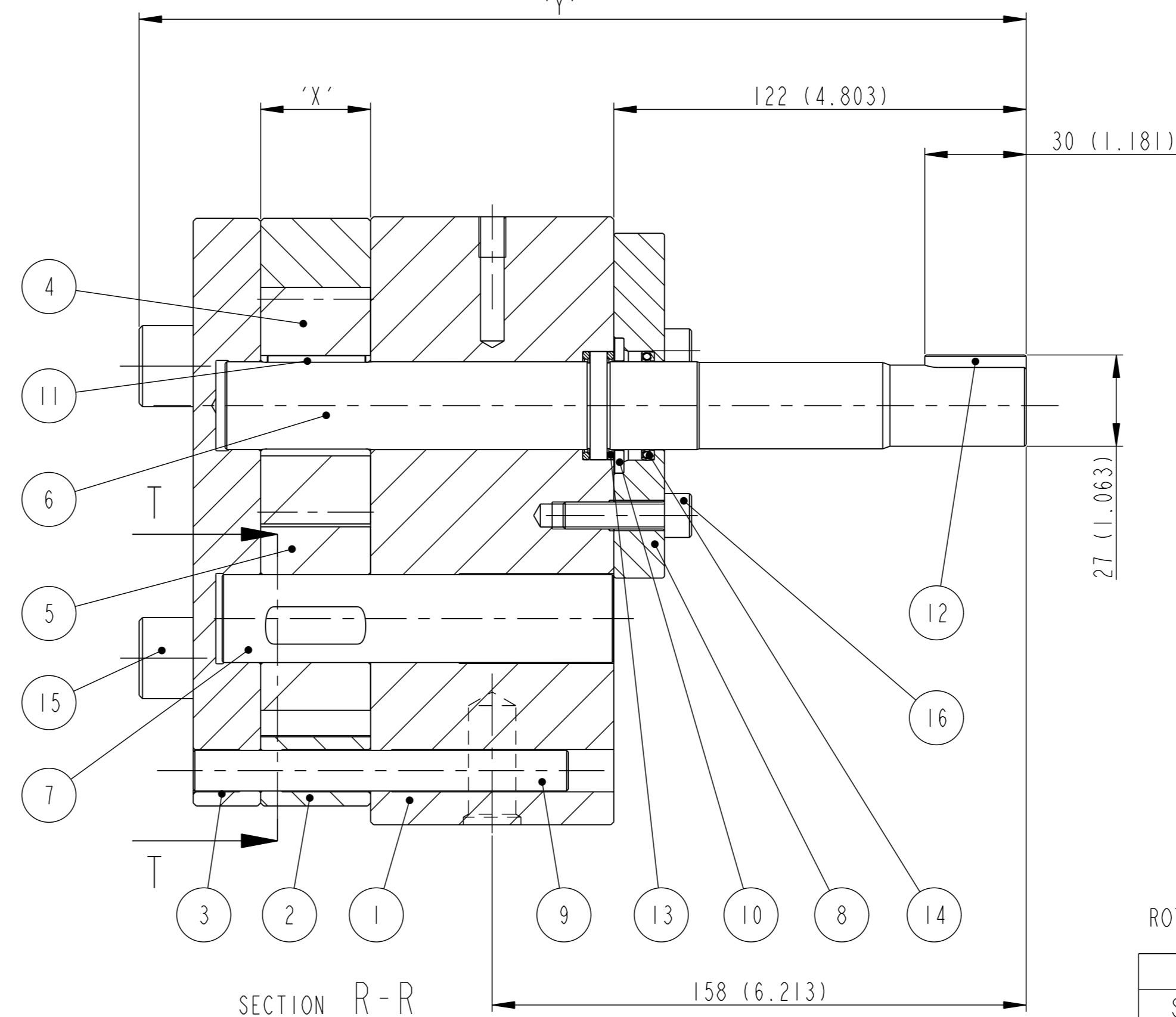
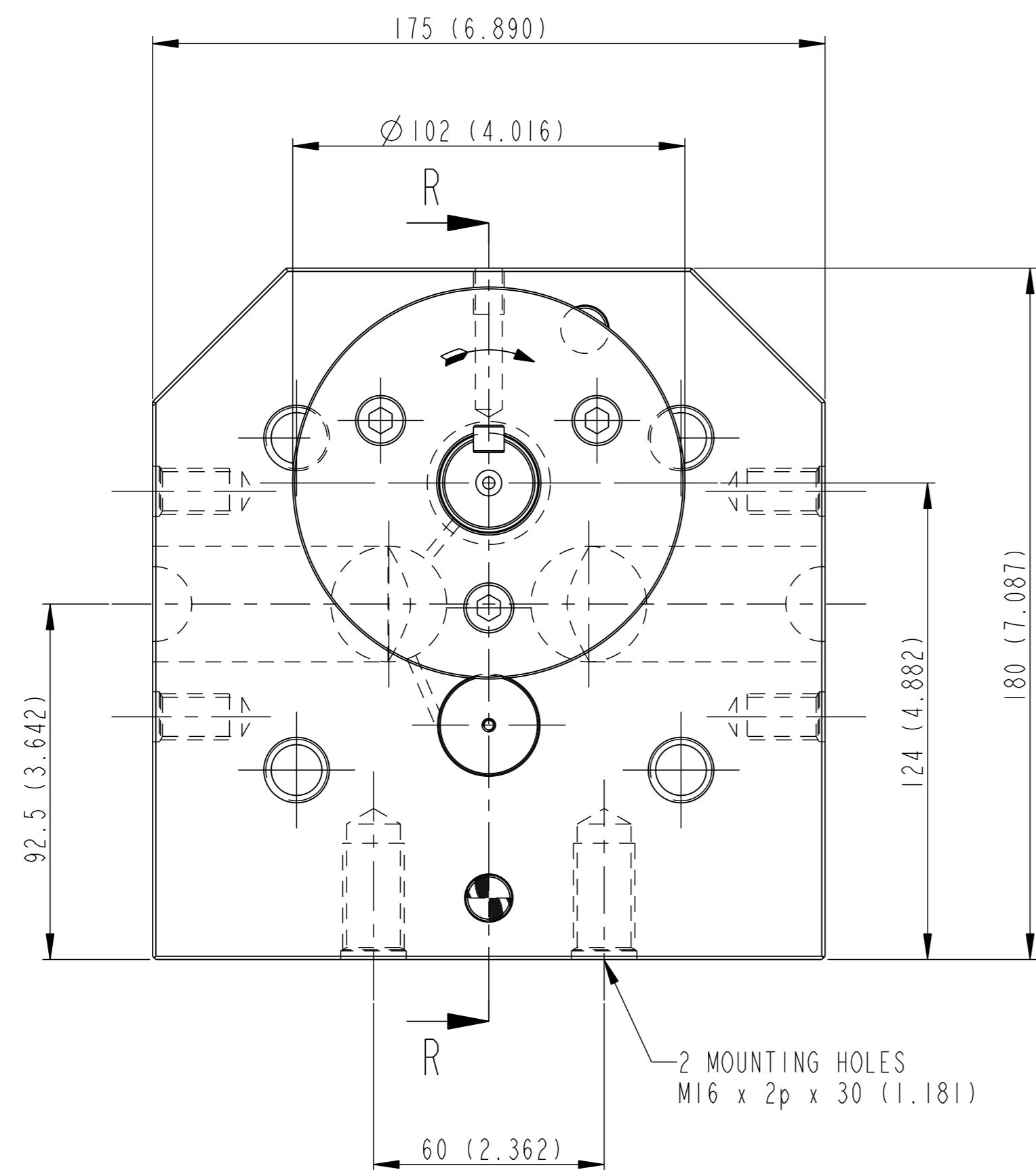


PROJ. DOS/005 REFERS

DO NOT SCALE

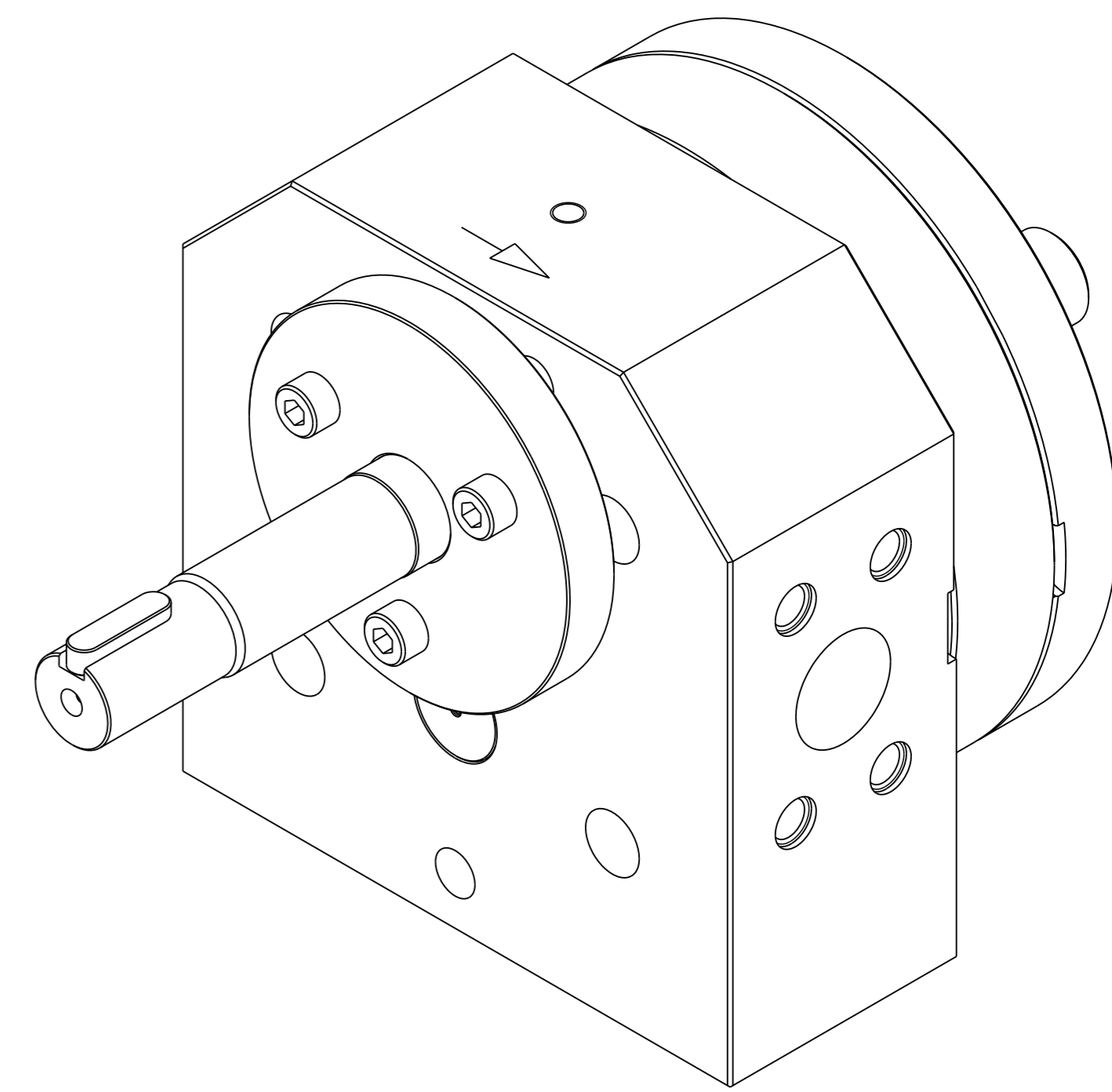
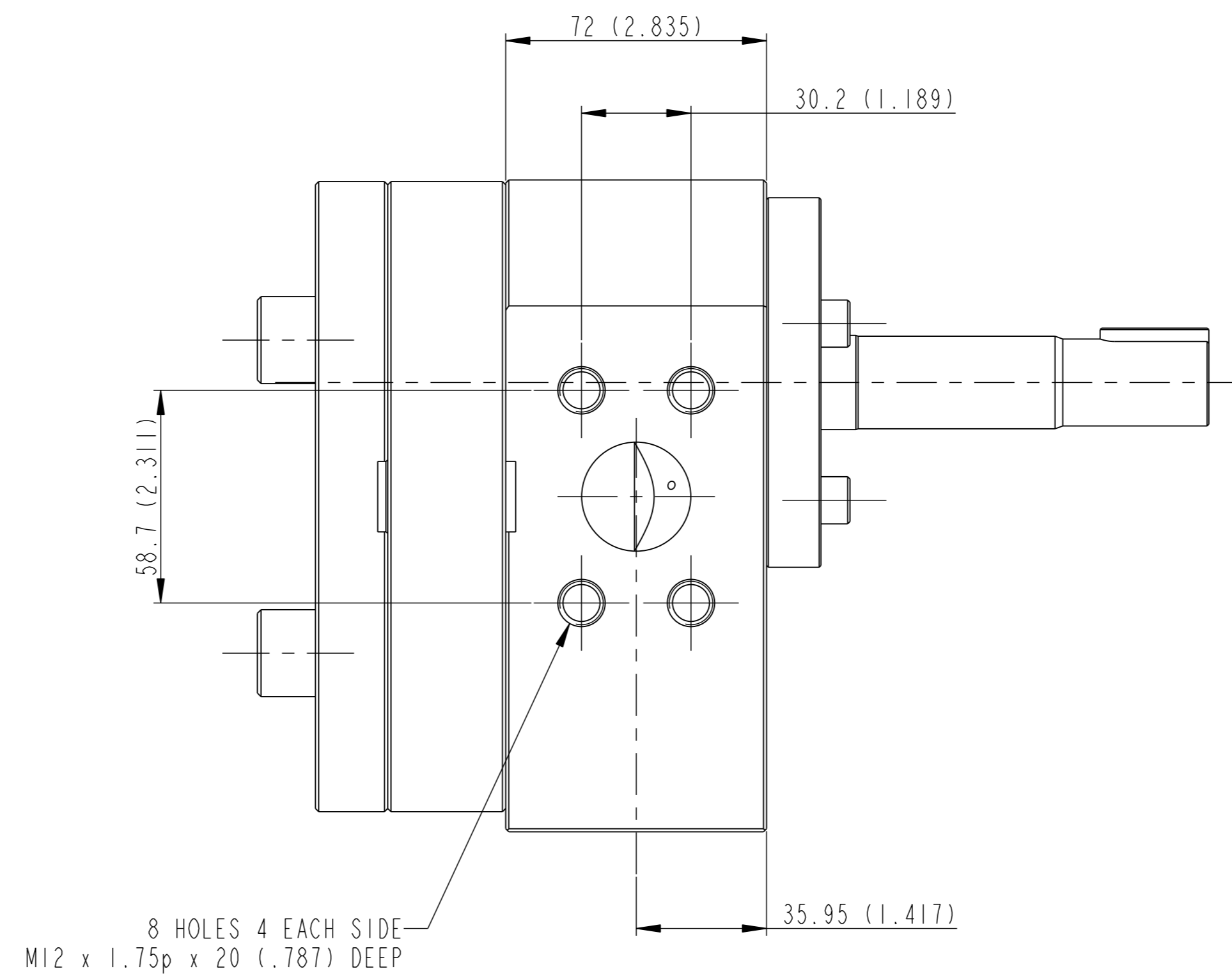
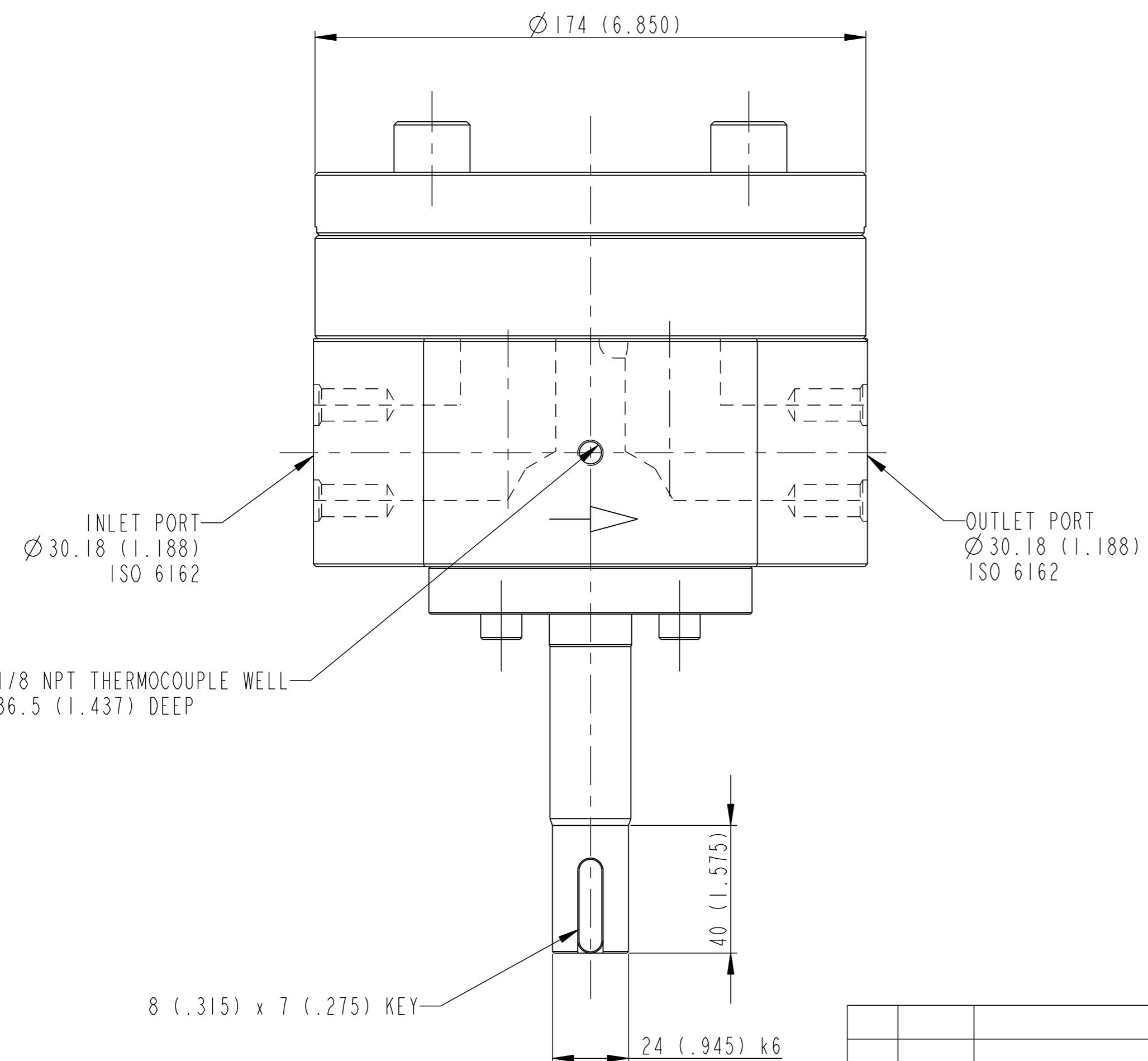
CAD ORIGINAL DO NOT ALTER BY HAND



SECTION T-T

ROTATION: CLOCKWISE

| TYPE | CAP / REV | DIMENSION 'X' | DIMENSION 'Y' |
|-------|-----------|---------------|----------------|
| SPA45 | 45cc | 32.5 (1.280) | 262.4 (10.331) |
| SPA90 | 90cc | 65.0 (2.559) | 294.9 (11.610) |



| ITEM | DESCRIPTION | QTY |
|------|-----------------|-----|
| 1 | FRONT PLATE | 1 |
| 2 | GEAR PLATE | 1 |
| 3 | BACK PLATE | 1 |
| 4 | DRIVING GEAR | 1 |
| 5 | IDLER GEAR | 1 |
| 6 | DRIVING SPINDLE | 1 |
| 7 | IDLER SPINDLE | 1 |
| 8 | SEALING HUB | 1 |
| 9 | DOWEL | 2 |
| 10 | WASHER | 1 |
| 11 | KEY | 1 |
| 12 | KEY (OUTER) | 1 |
| 13 | THRUST WASHER | 2 |
| 14 | OILSEAL | 1 |
| 15 | CAPSCREW | 4 |
| 16 | CAPSCREW | 3 |

| REV. | ZONE | ALTERATION | SIG. & DATE | CAT. | PROF. OF A SURF. | GEOMETRIC TOLERANCE SYMBOLS REF. B.S. 308 : PART 3 : 1990 | MATERIAL | DIMENSIONS IN MM & INCHES | TEXT | SCALE 3:4 | DATE | SLACK & PARR LTD. KEGWORTH-DERBY-ENGLAND |
|------|------|------------|-------------|------|------------------|---|-----------|---|------------------------|-----------|---------------------------|---|
| | | | | | | STRAIGHTNESS — PARALLELISM // SYMMETRY ≡ | SPEC. | TOL. UNLESS STATED DIMENSIONAL ± ANGULAR ± | DR 'N. RCW | 05-APR-07 | PROJ./TYPE/SERIAL NO. SPA | |
| | | | | | | FLATNESS ▭ SQUARENESS ⊥ M.M.C. | TREATMENT | | CH'D. NKS | 12-APR-07 | TITLE | |
| | | | | | | ROUNDNESS ○ ANGULARITY ≤ MACHINE | HARDNESS | SIM. TO | ARR & INST OF SPA PUMP | | | |
| | | | | | | CYLINDRICITY ⌀ RUN OUT ↗ M/C OPTIONAL | FINISH | © SLACK & PARR LTD. 2007 THE DESIGN AND INFORMATION CONTAINED IN THIS DRAWING IS STRICTLY CONFIDENTIAL AND IS THE EXCLUSIVE PROPERTY OF SLACK & PARR LIMITED AND MUST NOT BE USED, COPIED OR REPRODUCED IN PART OR WHOLE WITHOUT WRITTEN PERMISSION FROM SLACK & PARR LIMITED | | | | |
| | | | | | | PROF. OF A LINE ⌒ POSITION ⊕ DO NOT M/C | CLASS | SHEET 1 OF 1 | | | | |
| | | | | | | CONCENTRICITY ⊕ TAPER | PATT. | DRG. NO. B104626 | | | | |