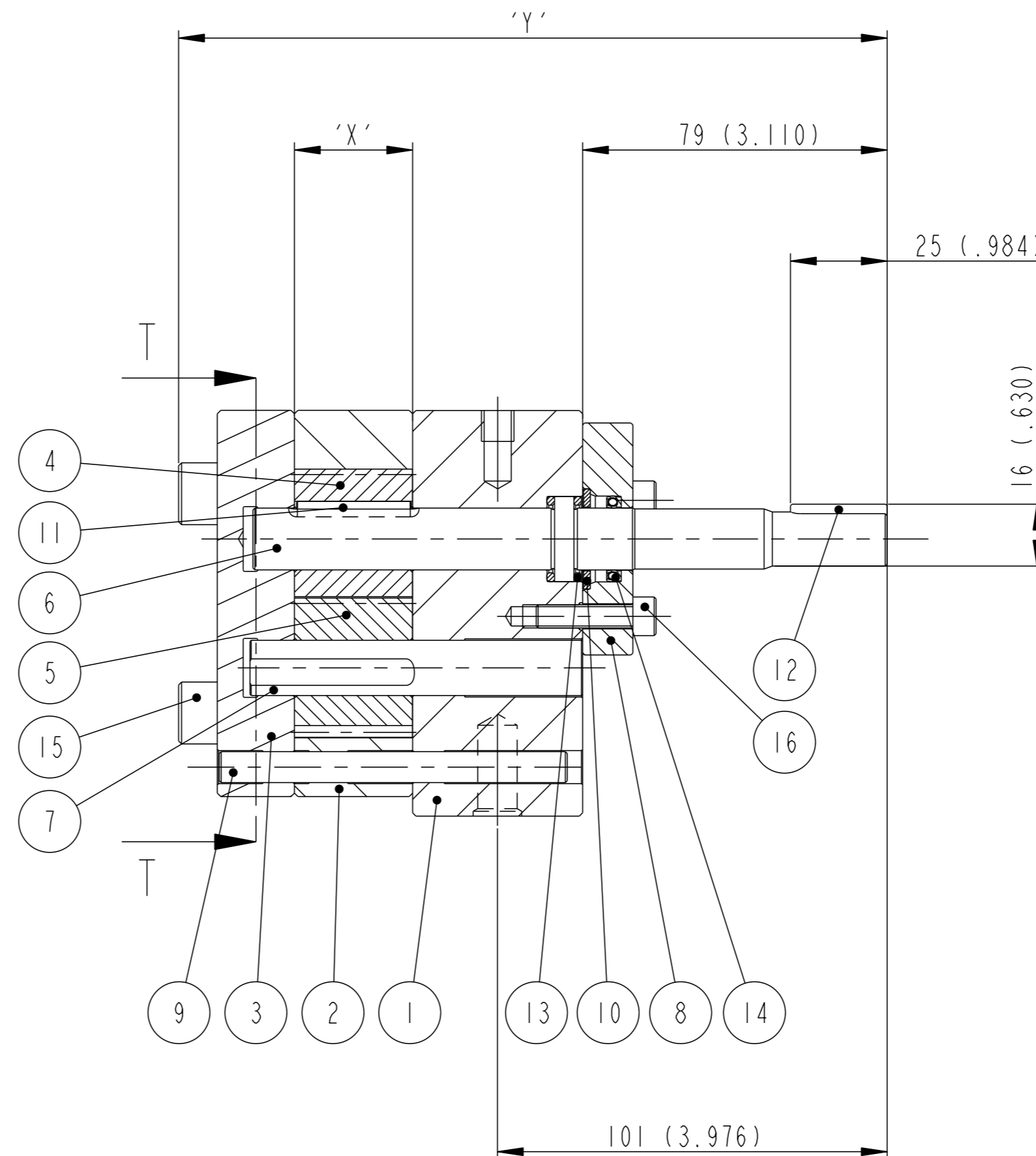
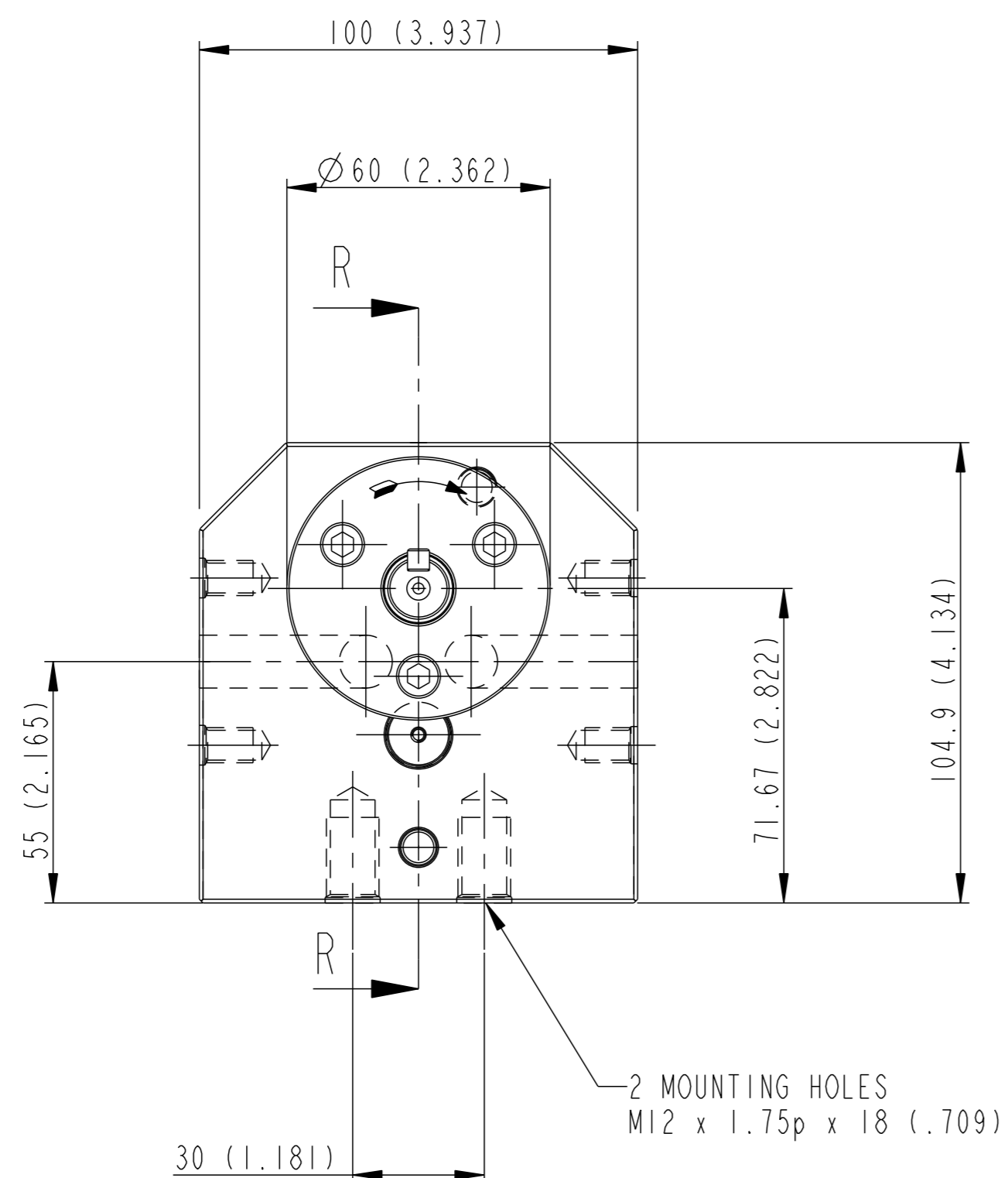


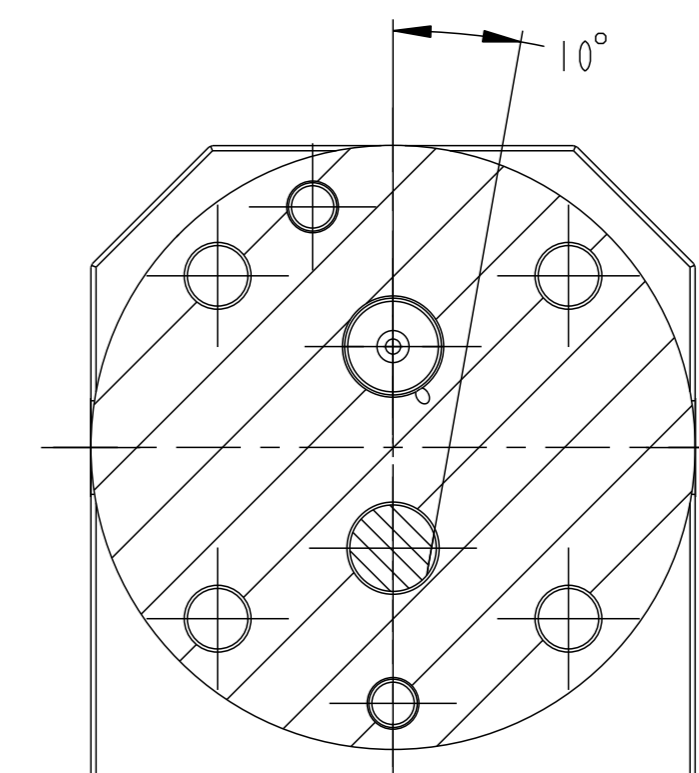
PROJ. DOS/005 REFERS

DO NOT SCALE

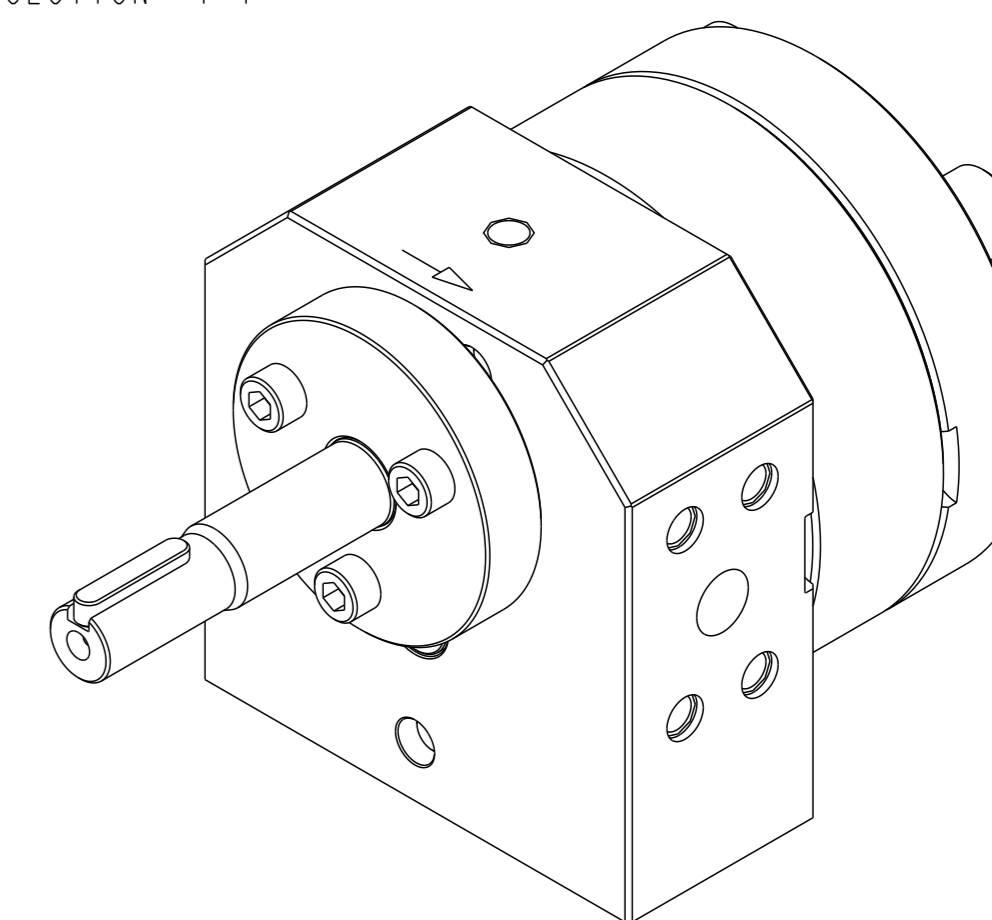
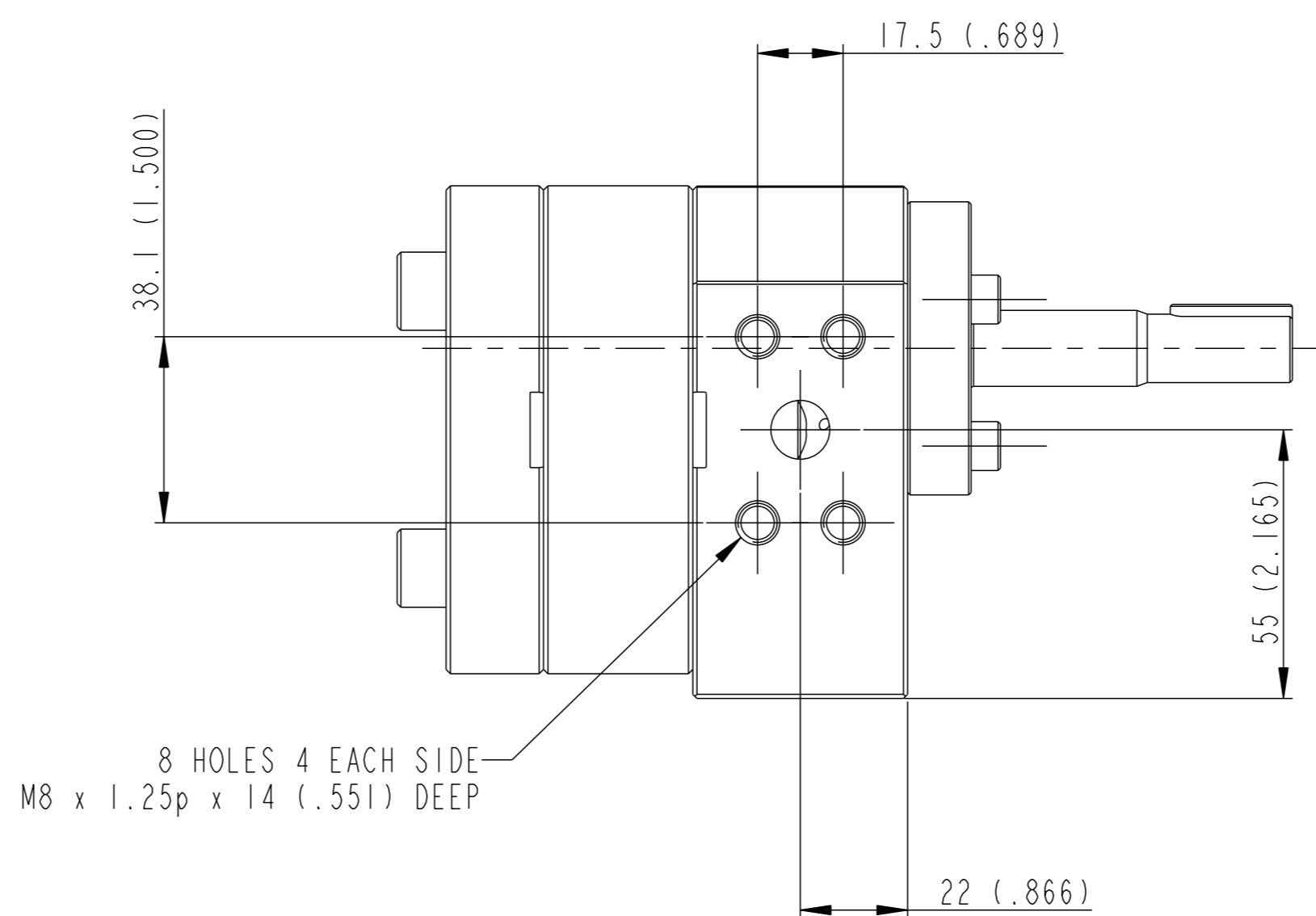
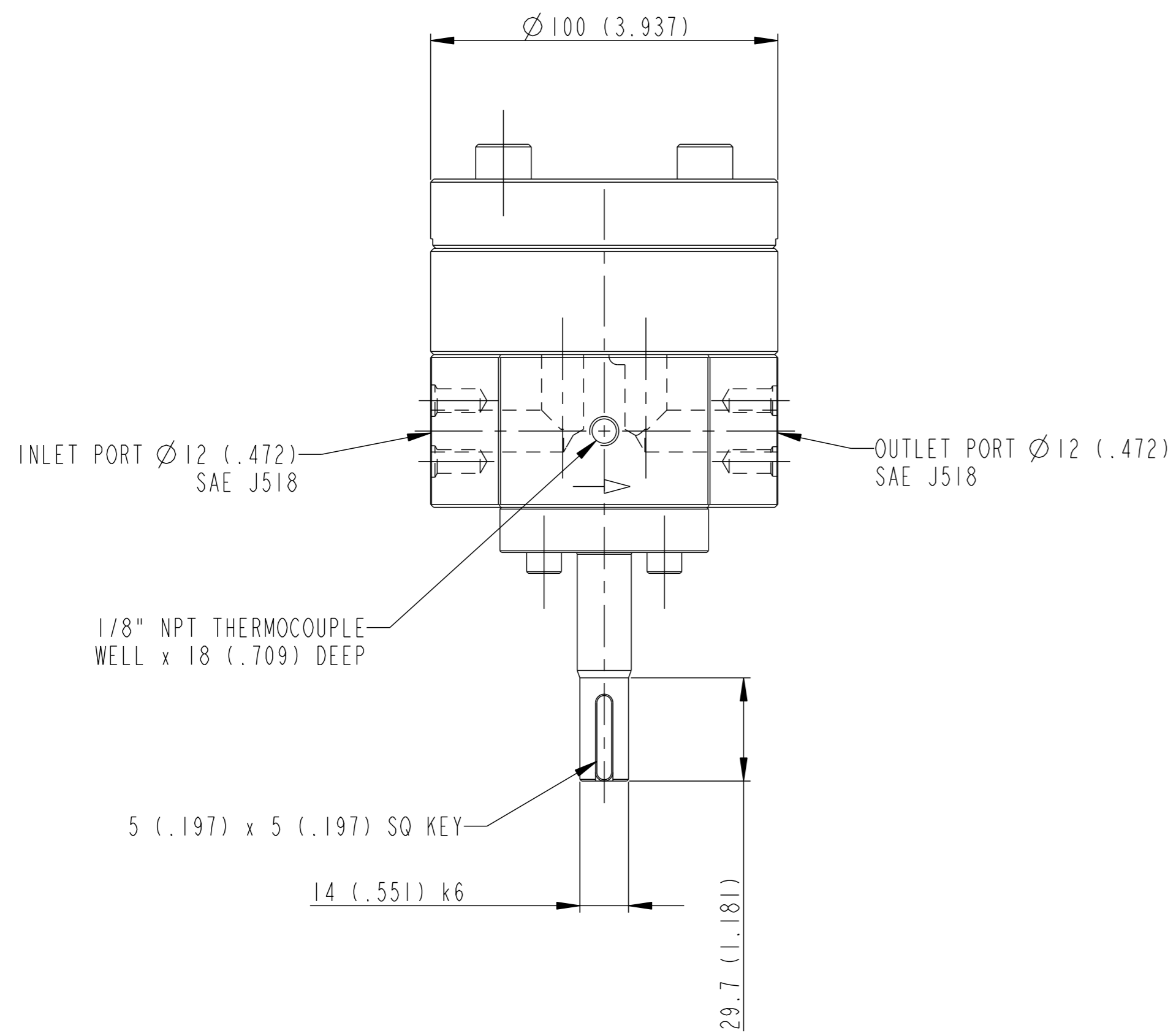
CAD ORIGINAL DO NOT ALTER BY HAND



SECTION R-R



SECTION T-T



ROTATION: CLOCKWISE

TYPE	CAP / REV	DIMENSION 'X'	DIMENSION 'Y'
SPA4.5	4.5cc	16 (.630)	169 (6.654)
SPA9	9.0cc	30.5 (1.201)	183.5 (7.224)

GEOMETRIC TOLERANCE SYMBOLS REF. B.S. 308 : PART 3 : 1990				MATERIAL		DIMENSIONS IN MM & INCHES		TEXT						
STRAIGHTNESS	—	PARALLELISM	//	SYMMETRY	≡	SCALE 4:5	DATE	SLACK & PARR LTD.						
FLATNESS	▭	SQUARENESS	⊥	M.M.C.	⊗	SURF. TEXT IN ROUGHNESS NOS.	DR 'N. RCW	30-MAR-07	KEGWORTH-DERBY-ENGLAND					
ROUNDNESS	○	ANGULARITY	∠	MACHINE	✓	TOL. UNLESS STATED	DR 'N. NKS	24-APR-07	PROJ. /TYPE/SERIAL NO.					
CYLINDRICITY	⊘	RUN OUT	↗	M/C OPTIONAL	✓	DIMENSIONAL ±	TITLE							
PROF. OF A LINE	⌒	POSITION	⊕	DO NOT M/C	✓	ANGULAR ±	ARR & INST OF SPA PUMP							
PROF. OF A SURF.	⌒	CONCENTRICITY	◎	TAPER	∇	SIM. TO B104447 * PLS	© SLACK & PARR LTD. 2007 THE DESIGN AND INFORMATION CONTAINED IN THIS DRAWING IS STRICTLY CONFIDENTIAL AND IS THE EXCLUSIVE PROPERTY OF SLACK & PARR LIMITED AND MUST NOT BE USED, COPIED OR REPRODUCED IN PART OR WHOLE WITHOUT WRITTEN PERMISSION FROM SLACK & PARR LIMITED							
REV.	ZONE	ALTERATION	SIG. & DATE	CAT.	PROF. OF A SURF.	CONCENTRICITY	◎	TAPER	∇	CLASS	PATT.	SHEET 1 OF 1	DRG. NO. B104624	REVISION