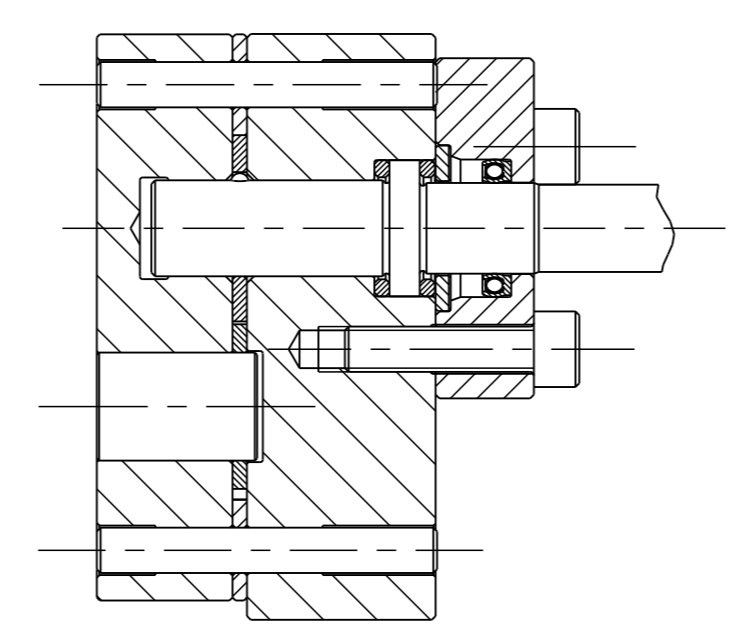
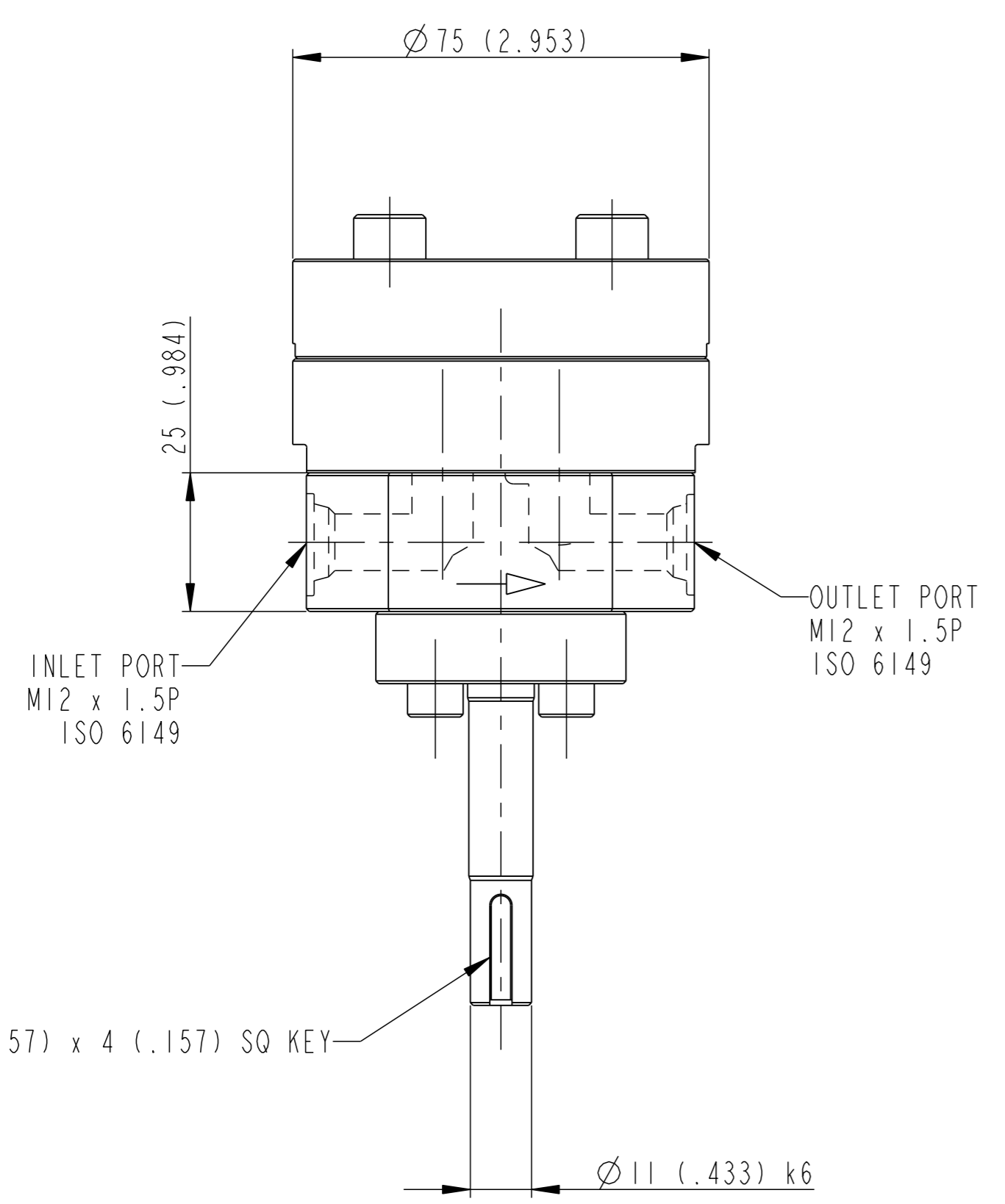
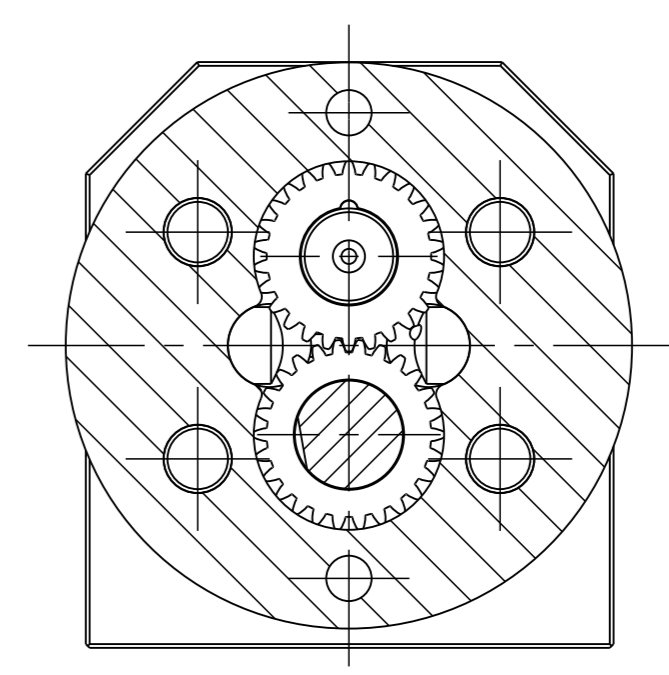
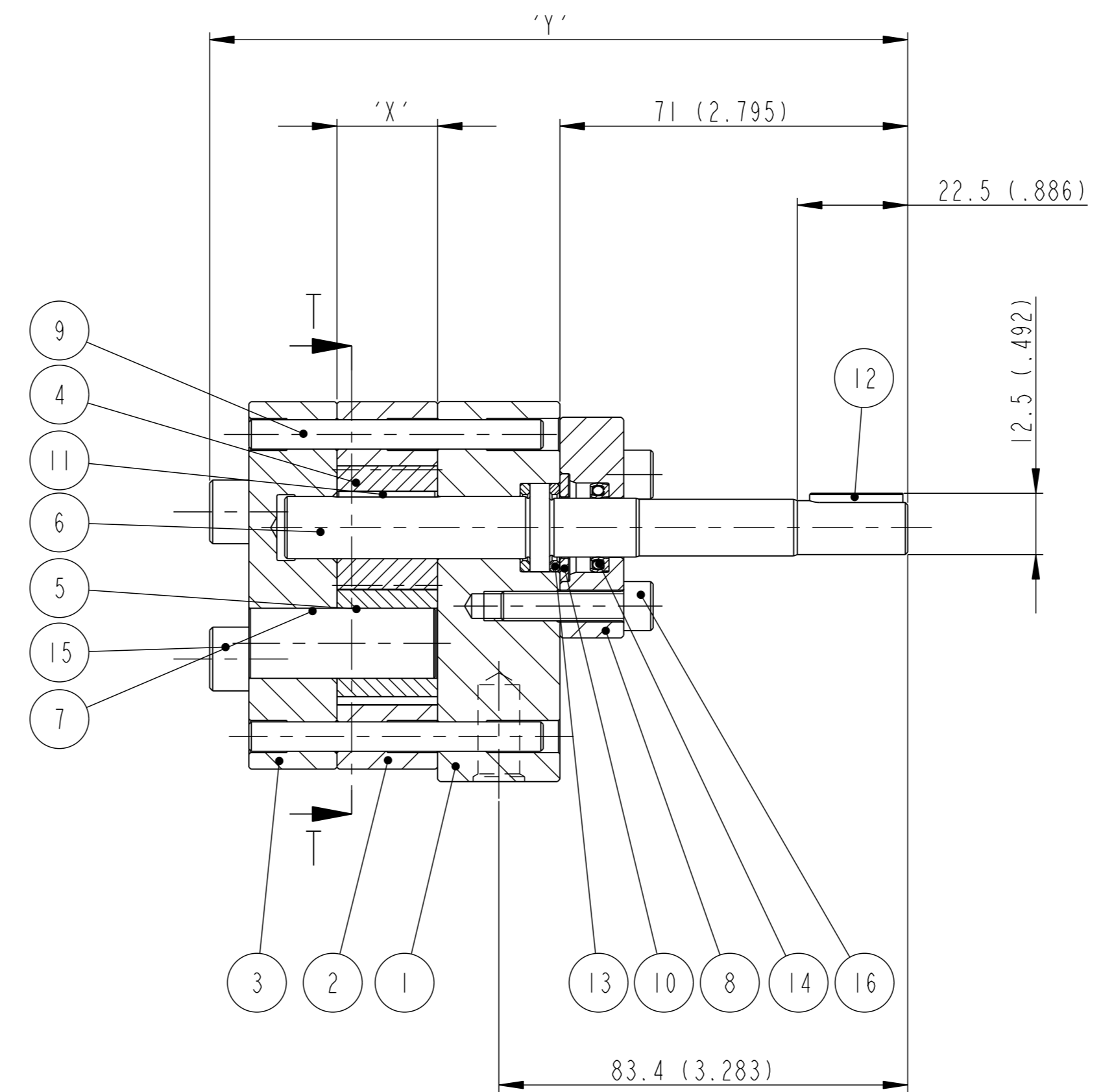
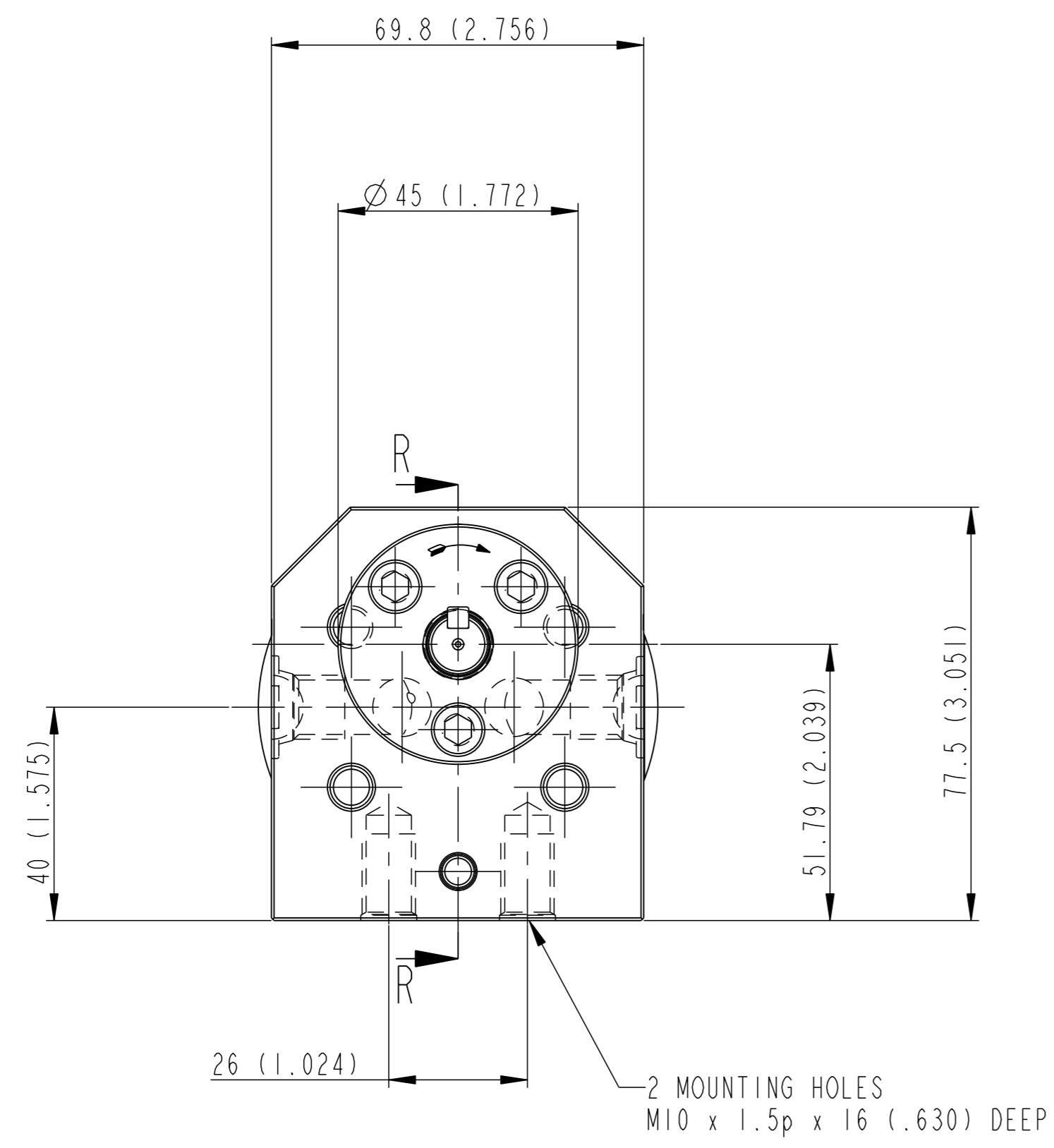


PROJ. DOS/005 REFERS

DO NOT SCALE

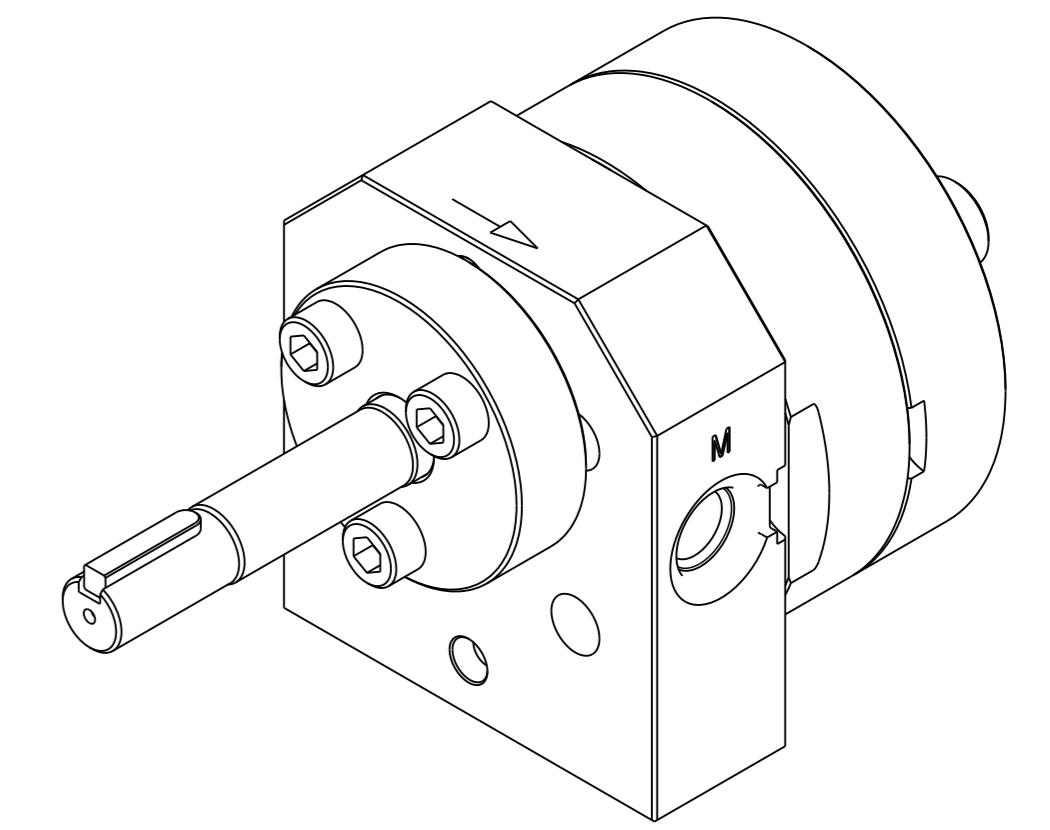
CAD ORIGINAL DO NOT ALTER BY HAND



0.15cc IDLER SPINDLE CONFIGURATION

ROTATION : CLOCKWISE

TYPE	CAP/REV	DIM 'X'	DIM 'Y'	SCREW TYPE
SPA0.15	0.15cc	1.9 (.075)	123.8 (4.874)	SOCKET HEAD
SPA0.15-S1	0.15cc	1.9 (.075)	123.8 (4.874)	SOCKET HEAD
SPA0.3	0.30cc	2.6 (.102)	124.5 (4.902)	SOCKET HEAD
SPA0.3-S3	0.30cc	2.6 (.102)	124.5 (4.902)	HEX HEAD
SPA0.6	0.60cc	5.1 (.201)	127.0 (5.000)	SOCKET HEAD
SPA1.2	1.20cc	10.3 (.406)	132.2 (5.205)	SOCKET HEAD
SPA2.4	2.40cc	20.5 (.807)	142.4 (5.606)	SOCKET HEAD
SPA2.4-S3	2.40cc	20.5 (.807)	142.4 (5.606)	HEX HEAD
SPA3	3.00cc	25.6 (1.008)	147.5 (5.807)	SOCKET HEAD



ITEM	DESCRIPTION	QTY
1	FRONT PLATE	1
2	GEAR PLATE	1
3	BACK PLATE	1
4	DRIVING GEAR	1
5	IDLER GEAR	1
6	DRIVING SPINDLE	1
7	IDLER SPINDLE	1
8	SEALING HUB	1
9	DOWEL	2
10	WASHER	1
11	KEY	1
12	KEY (OUTER)	1
13	THRUST WASHER	2
14	OILSEAL	1
15	CAPSCREW	4
16	CAPSCREW	3

REV.	ZONE	ALTERATION	SIG. & DATE	CAT.	PROF. OF A SURF.	GEOMETRIC TOLERANCE SYMBOLS REF. B.S. 308 : PART 3 : 1990	MATERIAL	DIMENSIONS IN MM & INCHES	SCALE 1:1	DATE	SLACK & PARR LTD. KEGWORTH-DERBY-ENGLAND		
						STRAIGHTNESS — PARALLELISM // SYMMETRY ≡	SPEC.	SURF. TEXT IN ROUGHNESS NOS.	DR 'N. RCW	28-MAR-07			
						FLATNESS ▭ SQUARENESS ⊥ M.M.C.	TREATMENT	TOLERANCE UNLESS STATED DIMENSIONAL ± ANGULAR ± THREAD TOLERANCE CLASS 6H/6g	CH'D. NKS	26-APR-07	PROJ./TYPE/SERIAL NO.		
						ROUNDNESS ○ ANGULARITY ≤ MACHINE	HARDNESS	SIM. TO PLS	TITLE ARR & INST OF SPA PUMP				
						CYLINDRICITY ⌀ RUN OUT ↗ M/C OPTIONAL	FINISH	© SLACK & PARR LTD. 2007 THE DESIGN AND INFORMATION CONTAINED IN THIS DRAWING IS STRICTLY CONFIDENTIAL AND IS THE EXCLUSIVE PROPERTY OF SLACK & PARR LIMITED AND MUST NOT BE USED, COPIED OR REPRODUCED IN PART OR WHOLE WITHOUT WRITTEN PERMISSION FROM SLACK & PARR LIMITED			SHEET 1 OF 1	DRG. NO. B104623	REVISION
						PROF. OF A LINE ⌒ POSITION ⊕ DO NOT M/C	CLASS						
						PROF. OF A SURF. ⌒ CONCENTRICITY ⊙ TAPER	PATT.						