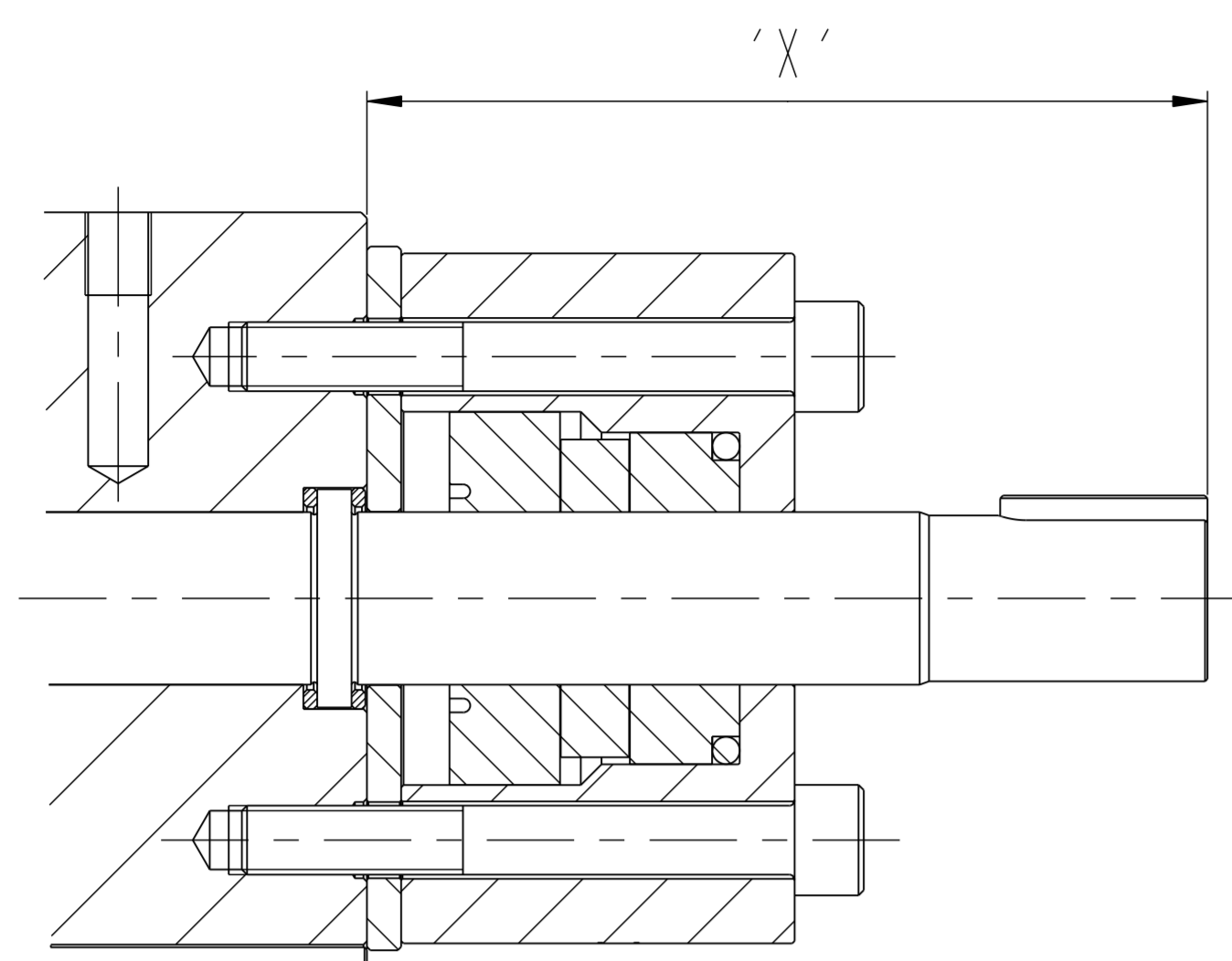
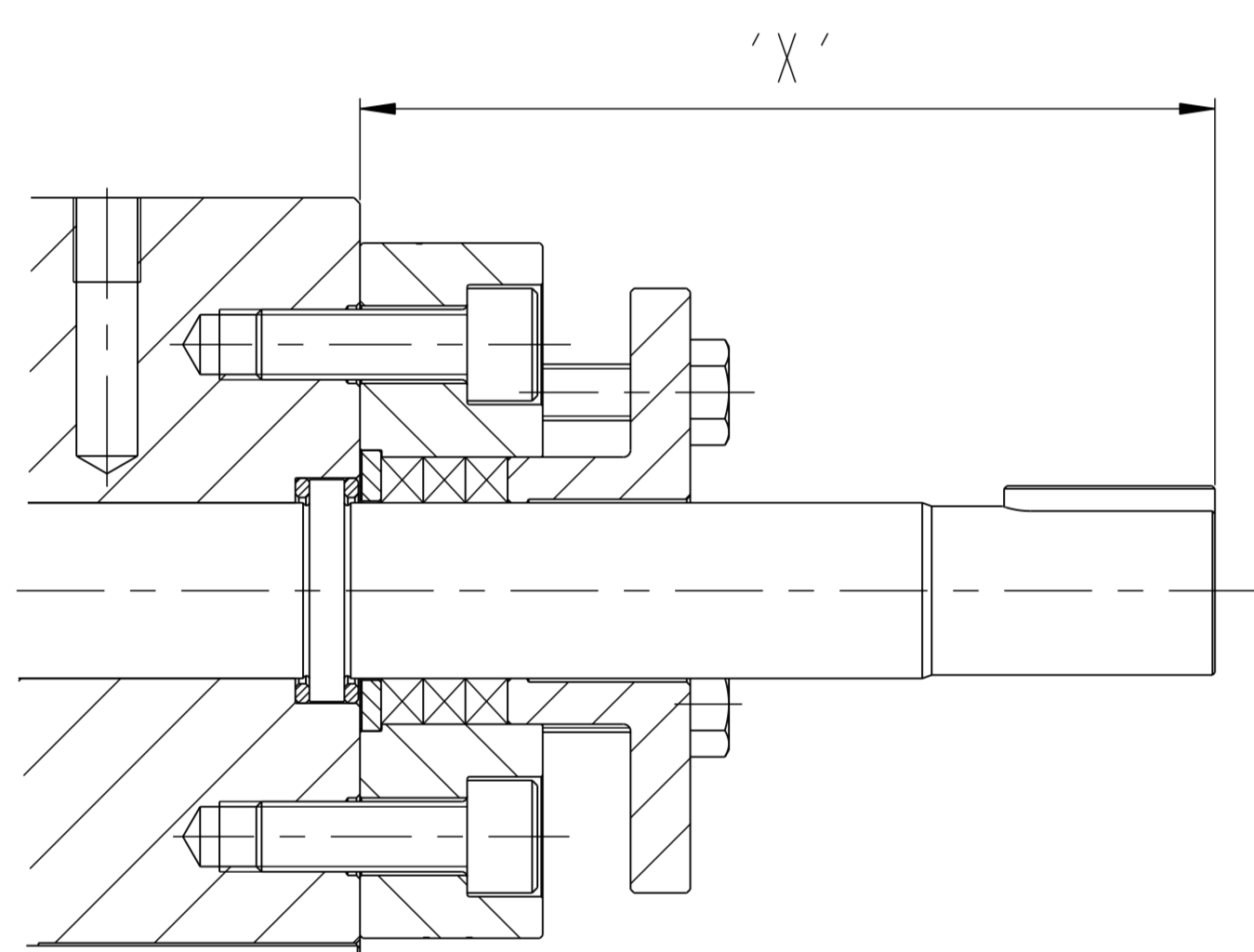


CAD ORIGINAL DO NOT ALTER BY HAND

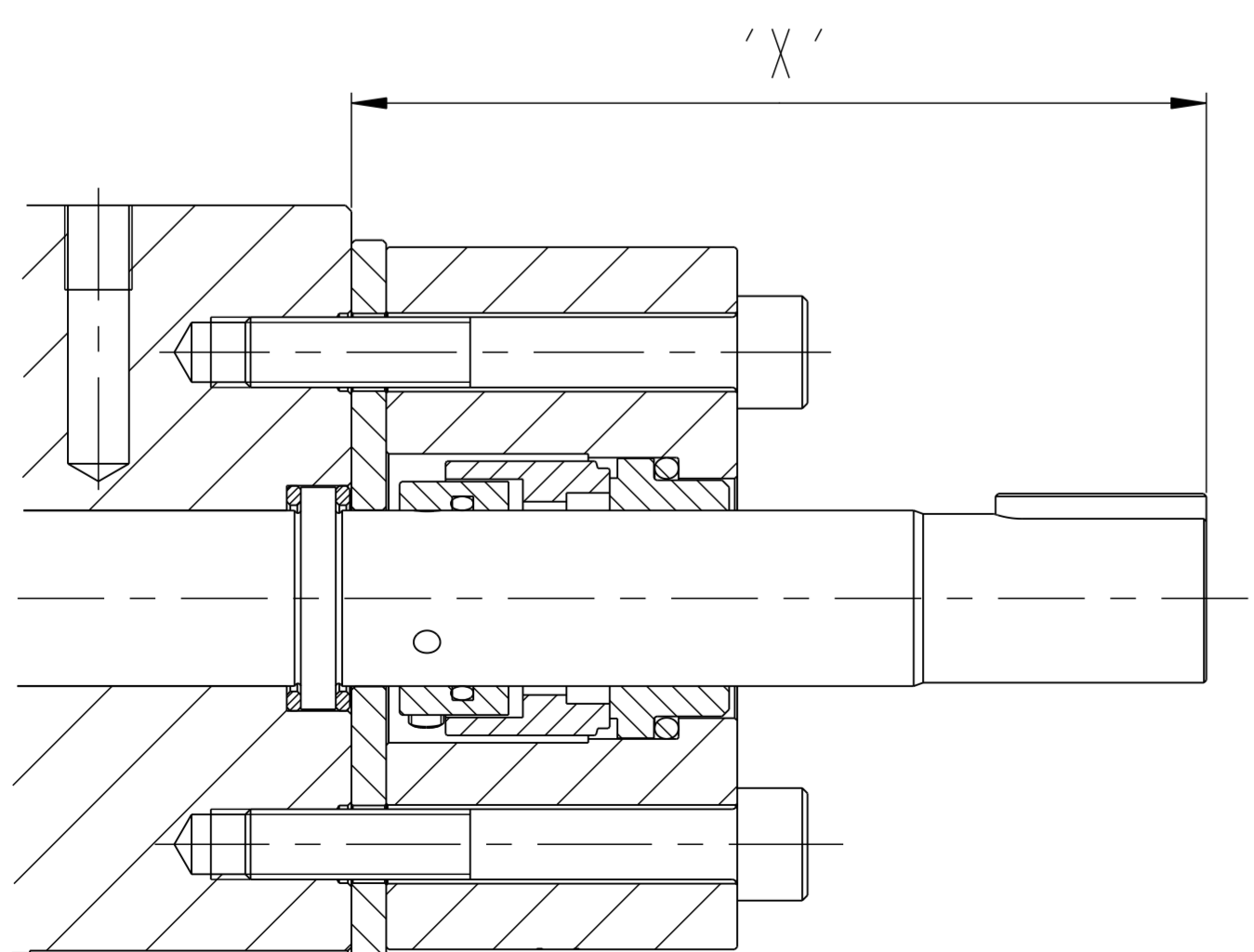
DOUBLE LIP SEAL (SPi-D)



GLAND PACKING (SPi-G)

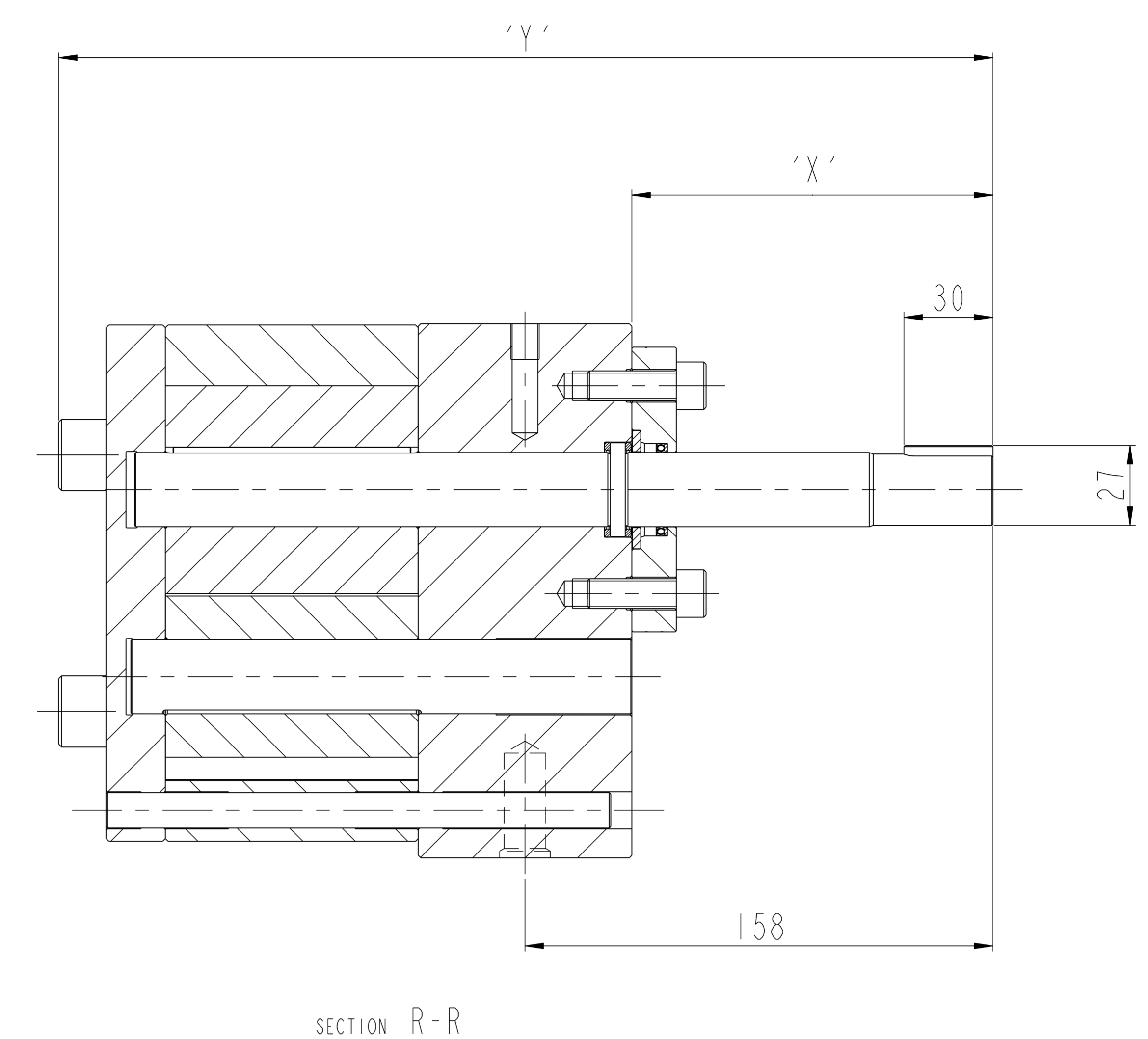
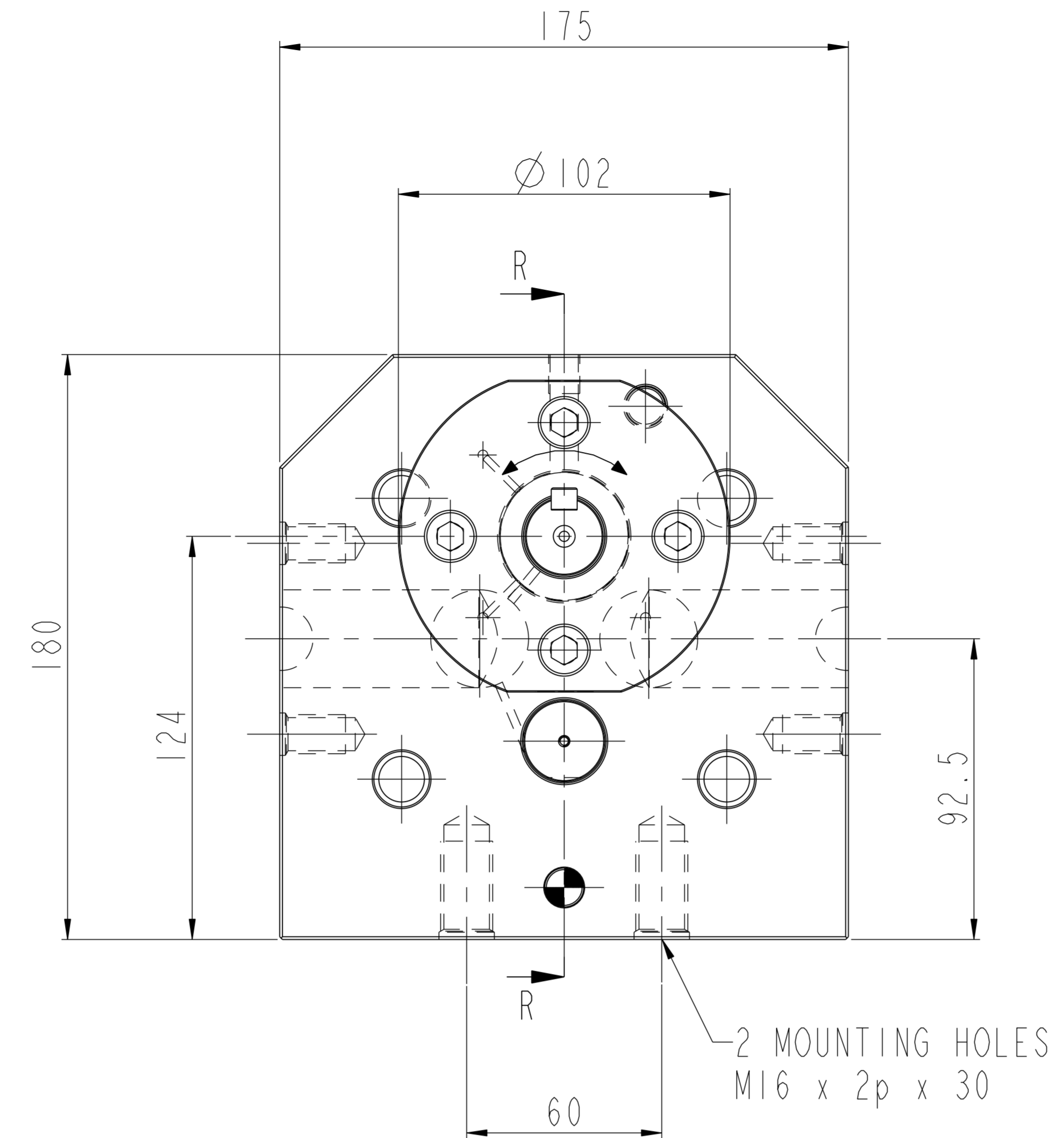


MECHANICAL SEAL (SPi-M)

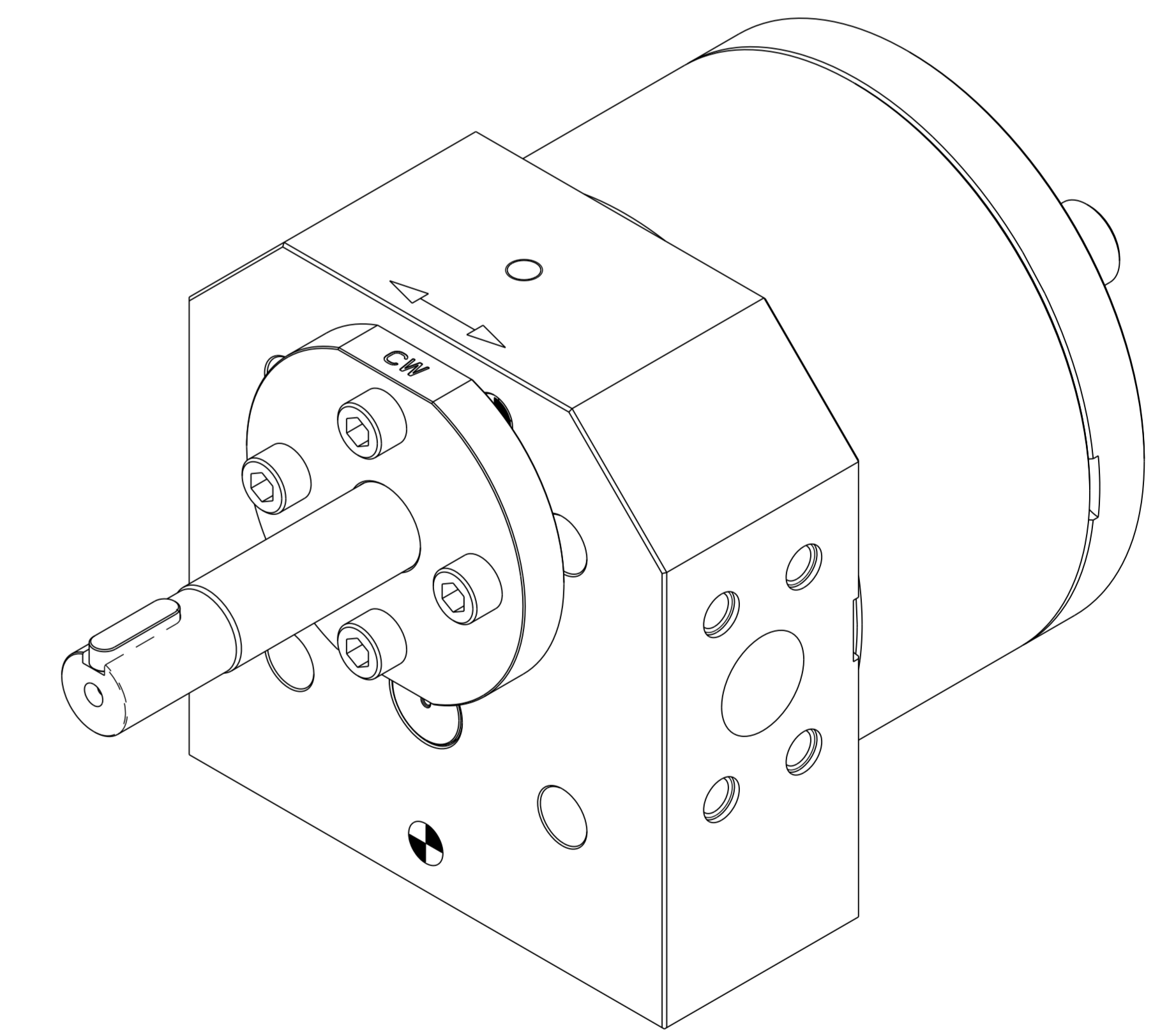
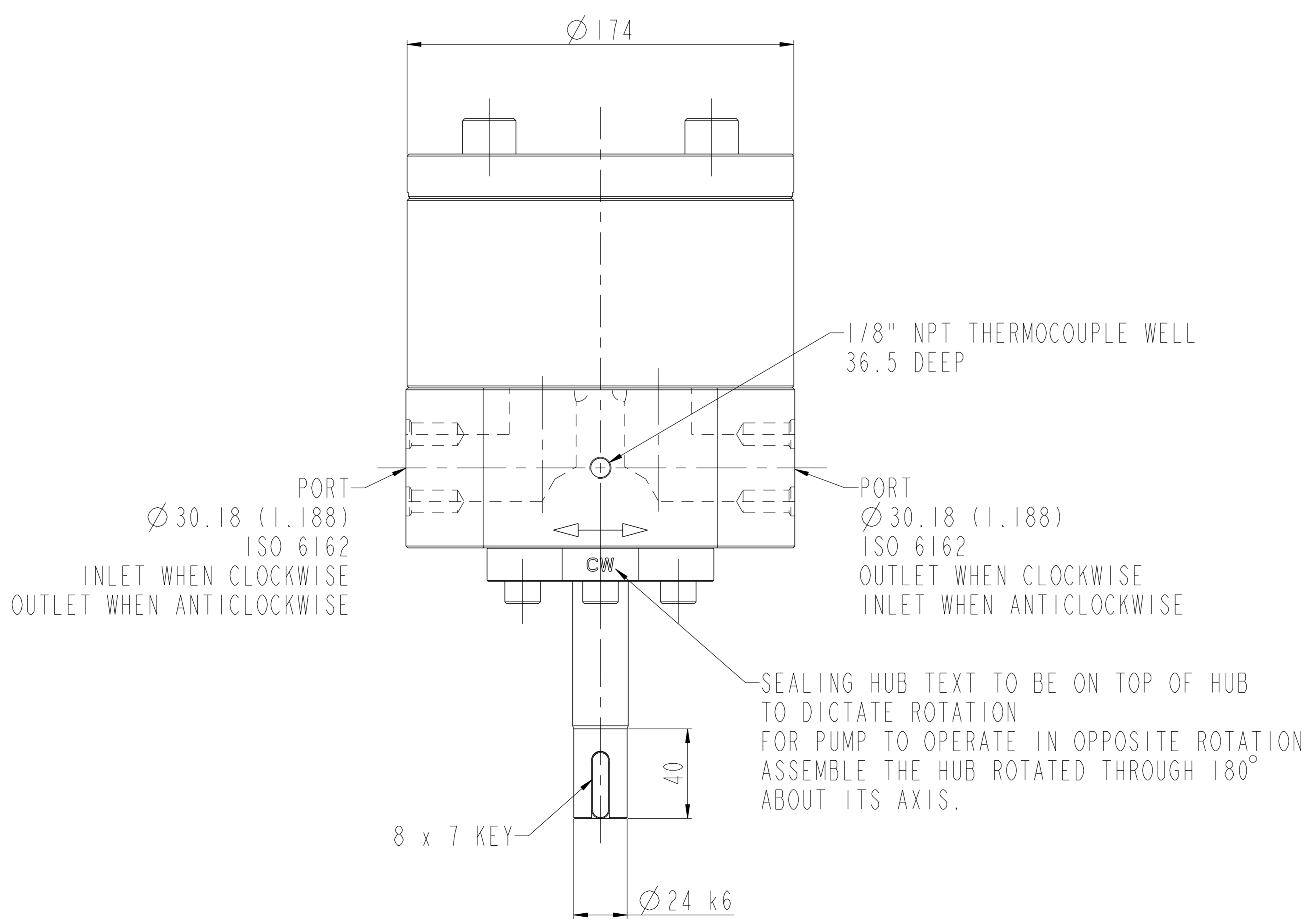


DO NOT SCALE

LIP SEAL (SPi)



ALTERNATE SEALING OPTIONS



ROTATION: DUAL

		DIM'S INCLUDE SPi-D, G & M	
TYPE	CAP / REV	DIMENSION 'X'	DIMENSION 'Y'
SPi45	45cc	122.0	262.6
SPi90	90cc	122.0	295.1
SPi120	120cc	122.0	315.2

REV.	ZONE	ALTERATION	SIG. & DATE	CAT.	PROF. OF A SURF.	GEOMETRIC TOLERANCE SYMBOLS REF. B.S. 308 : PART 3 : 1990	MATERIAL	IDENTITY ZONE	TEXT	DATE	REVISION
						STRAIGHTNESS — PARALLELISM // SYMMETRY ≡ SPEC.		DIMENSIONS IN MM & INCHES	SCALE 4:5	11-Sep-15	
						FLATNESS ▭ SQUARENESS ⊥ M.M.C. ⊕ TREATMENT		SURF. TEXT IN ROUGHNESS NOS. DR 'N. CS		11-Sep-15	SLACK & PARR LTD. KEGWORTH-DERBY-ENGLAND
						ROUNDNESS ○ ANGULARITY < MACHINE ✓ HARDNESS		TOLERANCE UNLESS STATED DIMENSIONS ±	CH'D. AJF	23-Sep-15	ARR & INST OF SPi PUMP
						CYLINDRICITY ⌀ RUN OUT ↗ M/C OPTIONAL ✓ FINISH		ANGULAR TOLERANCE CLASS 8/14/16			
						PROF. OF A LINE ⌒ POSITION ⊕ DO NOT M/C ✓ CLASS		THREAD TOLERANCE CLASS 6H/6g			
						CONCENTRICITY ⊕ TAPER ≡ PATT.		SIM. TO B104266 + PLS			
								SLACK & PARR LTD. 2015 THE DESIGN AND INFORMATION CONTAINED IN THIS DRAWING IS STRICTLY CONFIDENTIAL AND IS THE EXCLUSIVE PROPERTY OF SLACK & PARR LIMITED AND MUST NOT BE USED, COPIED OR REPRODUCED IN PART OR WHOLE WITHOUT WRITTEN PERMISSION FROM SLACK & PARR LIMITED.			